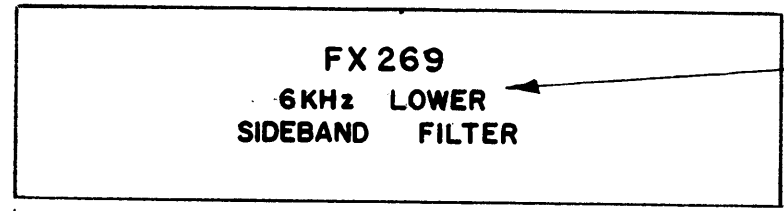
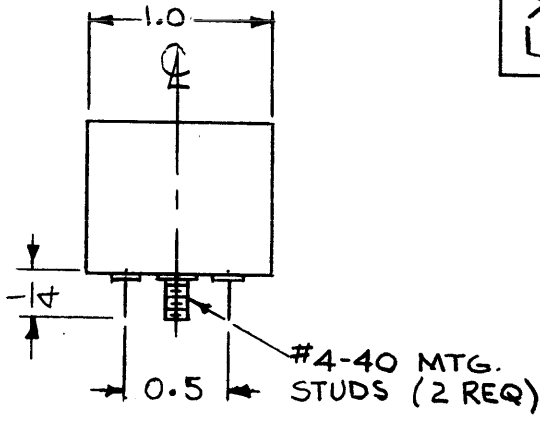
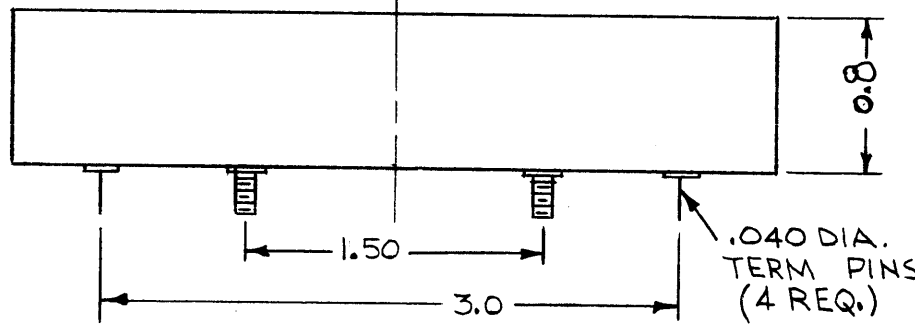


B
FX269

REVISIONS						
SYM	DESCRIPTION	DATE	E.M.N. NO.	DRAFT	CHKD	APPD
X	EXPERIMENTAL RELEASE	10/12/66	X	RME		
Ø	ORIGINAL RELEASE FOR PROD.	10/24/66	Ø	RME		
A	CHG'D TEST DIAGRAM	11/2/66	17174	RME		
B	CHG'D CHART. 243.920 KHZ MAX WAS 243.920 KHZ ± 50.0 HZ. INSERTION LOSS 10dB MAX WAS 6dB MAX.	3-31-67	18066	L.A.K.		



LETTERING APPROX. SIZE SHOWN, BLACK GOTHIC.



SPECIFICATIONS

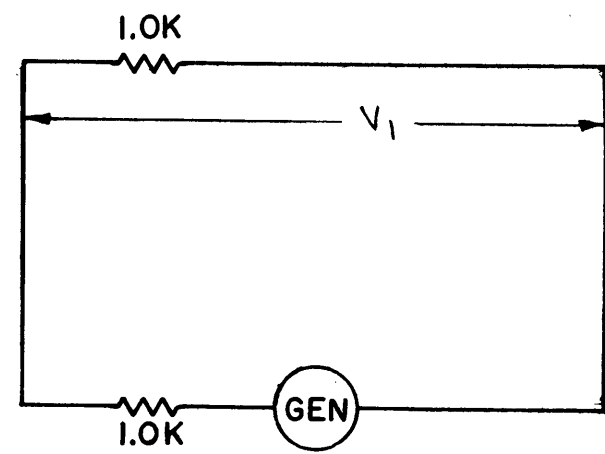
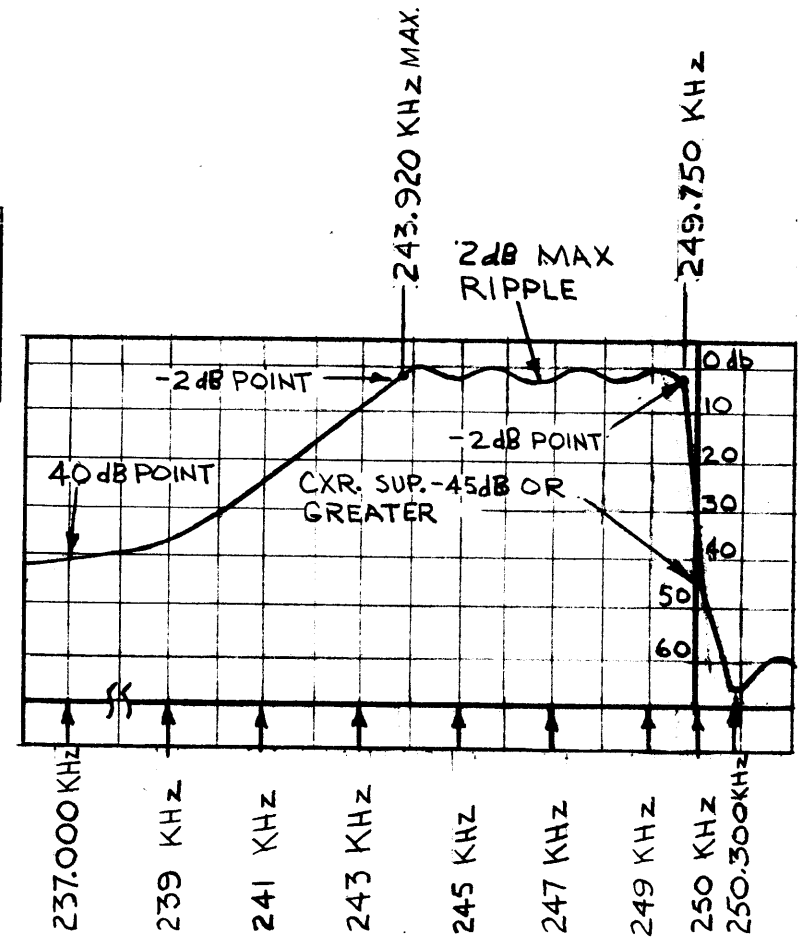
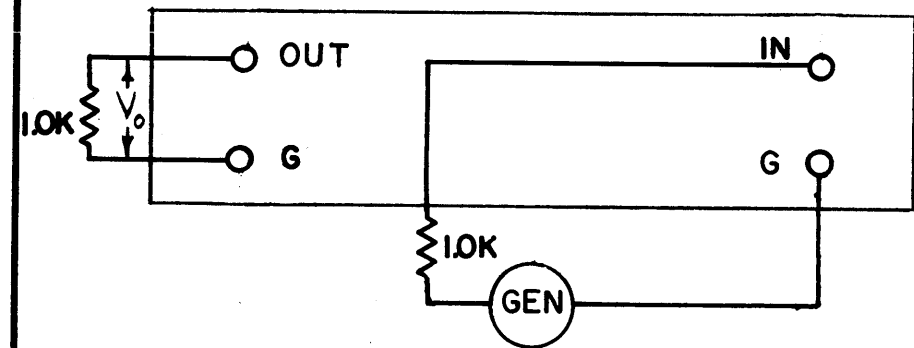
ELECTRICAL:

TYPE: LOWER SIDEBAND
 CARRIER FREQUENCY: 250 KHz
 CARRIER SUPPRESSION: -45 dB OR GREATER
 -2dB POINTS: 249.750 KHz MIN, 243.920 KHz MAX.
 TRAILING SLOPE: 237.5 40 dB OR GREATER
 UNWANTED SIDEBAND ATTENUATION: GREATER THAN -60 dB FOR FREQUENCIES HIGHER THAN 250.300 KHz INCLUDING ALL RETURN LOSSES AND SPURIOUS
 MAXIMUM PASSBAND RIPPLE: 2 dB
 INSERTION LOSS: 10 dB MAX
 INPUT AND OUTPUT IMPEDANCE: 1.0 K UNBALANCED
 TEMPERATURE RANGE: 0° TO 70°C

MECHANICAL:

CASE: STEEL, HERMETICALLY SEALED
 FINISH: BRUSHED NICKEL OR POWDER BLASTED BRIGHT NICKEL
 NOTE: TERMINAL END UNPAINTED
 MOUNTING: 4-40 x 1/4" STUDS (2 REG)
 TERMINAL: DOUBLE END PIN TYPE, BRASS, SILVER PLATED, BEAD INS

INSERTION (LOSS OR GAIN) $\pm (V_1 - V_0)$ IN dB



NOTES

Q'TY./UNIT		MODEL USED ON		ASS'Y. NO.	
SCALE		CODE		S401-210	

THE CONTENTS OF THIS DRAWING ARE THE EXCLUSIVE PROPERTY OF THE TECHNICAL MATERIEL CORP. ITS UNAUTHORIZED USE OR REPRODUCTION IN WHOLE OR IN PART IS STRICTLY FORBIDDEN.

REQ'D.	ITEM	PART NUMBER	DESCRIPTION	SYMBOL
LIST OF MATERIAL				
MATERIAL			THE TECHNICAL MATERIEL CORP. MAMARONECK, NEW YORK	
SEE MECHANICAL SPECS			TITLE LOWER SIDEBAND FILTER BANDPASS 6KHz	
FINISH			DRAWN RME DATE 10/12/66	
SEE MECHANICAL SPECS			CHECKED DATE 10/13/66	
UNLESS OTHERWISE SPECIFIED DIMENSIONS ARE IN INCHES AND INCLUDE CHEMICALLY APPLIED OR PLATED FINISHES			ELECT. DES. DATE 10/15/66	
			MECH. DES. DATE	
DECIMALS .X ± .05 .XX ± .01 .XXX ± .005			TOLERANCES ± 1/64 ANGLES ± 0° 30'	
M/L A. KLEIN			FINAL APPROVAL DATE	
			FX269	
			SHEET	
			REV. LTR.	