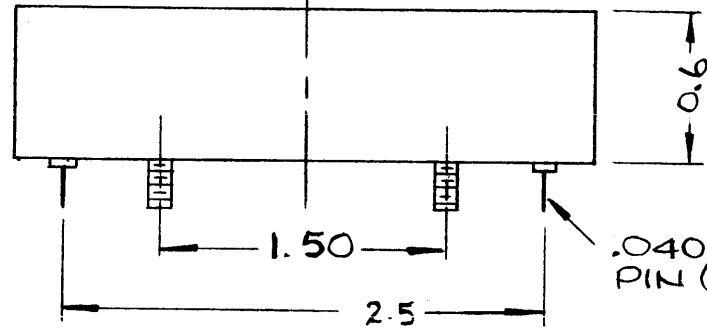
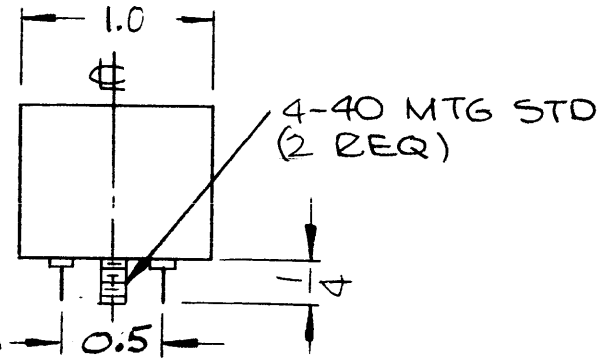


LETTERING APPROX SIZE SHOWN, BLACK GOTHIC



.040 DIA TERM PIN (4 REQ)



FX267 B

REVISIONS						
SYM	DESCRIPTION	DATE	E.M.N. NO.	DRAFT	CHKD	APPD
X	EXPERIMENTAL RELEASE	10/20/66	X	RME	<i>[Signature]</i>	
Ø	ORIGINAL RELEASE FOR PROD	10/24/66	Ø	RME	<i>[Signature]</i>	
A	CHG'D TEST DIAGRAM. INSERTION LOSS WAS 6DB	11/2/66	17174	RME	<i>[Signature]</i>	
B	SPECS REV, GRAPH DEL.; 58KHZ DELE FR FIL.	6.22.67	18293	LHW	<i>[Signature]</i>	

SPECIFICATIONS

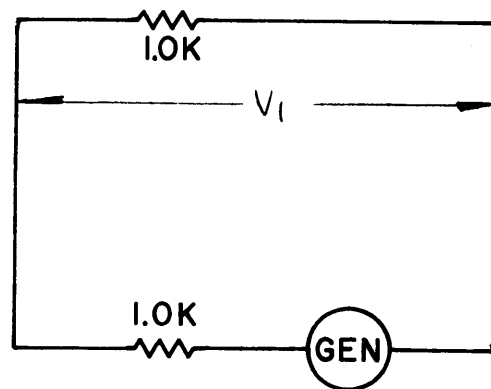
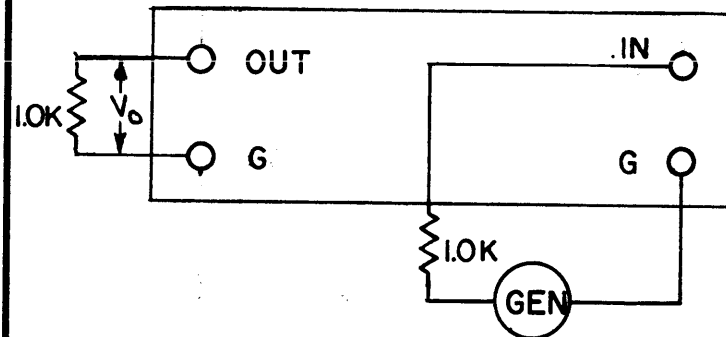
ELECTRICAL:

SOURCE & LOAD IMPEDANCE: 1.0 K
 TEMP. RANGE: 0° TO 70°C
 TYPE: BANDPASS
 ALL dB MEASUREMENTS ARE RELATIVE TO MAX SIGNAL RESPONSE IN THE PASS BAND.
 C.F. = 2.75 MHz
 -3 dB POINTS: 2.7495 MHz MAX, 2.7505 MHz MIN
 -60 dB POINTS: 2.50 MHz MIN, 3.00 MHz MAX
 RIPPLE: ±1.5 dB MAX BETWEEN -3dB POINTS
 INSERTION LOSS: 10 dB MAX

MECHANICAL:

CASE: STEEL, HERMETICALLY SEALED
 FINISH: POWDER BLASTED BRIGHT NICKEL
 NOTE: TERMINAL END UNPAINTED
 MOUNTING: 4-40 x 1/4" STUDS (2 REQ)
 TERMINAL: DOUBLE END PIN TYPE, BRASS, SILVER PLATED, BEAD INS

INSERTION (LOSS OR GAIN) ± (V₁ - V₀) IN dB



NOTES

MMX-1		ASS'Y. NO.
Q'TY./UNIT	MODEL USED ON	ASS'Y. NO.
SCALE	CODE	S401-308()
THE CONTENTS OF THIS DRAWING ARE THE EXCLUSIVE PROPERTY OF THE TECHNICAL MATERIEL CORP. ITS UNAUTHORIZED USE OR REPRODUCTION IN WHOLE OR IN PART IS STRICTLY FORBIDDEN.		

REQ'D.	ITEM	PART NUMBER	DESCRIPTION	SYMBOL
LIST OF MATERIAL				
MATERIAL		THE TECHNICAL MATERIEL CORP. MAMARONECK, NEW YORK		
FINISH		TITLE FILTER, BANDPASS 2.75 MHz SYMMETRICAL		
UNLESS OTHERWISE SPECIFIED DIMENSIONS ARE IN INCHES AND INCLUDE CHEMICALLY APPLIED OR PLATED FINISHES		DRAWN <i>[Signature]</i>	DATE 10.12.66	FINAL APPROVAL <i>[Signature]</i>
DECIMALS .X ± .05 .XX ± .01 .XXX ± .005		TOLERANCES		DATE 10/11/66
FRACTIONS ± 1/64 ANGLES ± 0° 30'		MECH. DES. <i>[Signature]</i>		DATE 10/11/66
		SHEET		REV. LTR. B