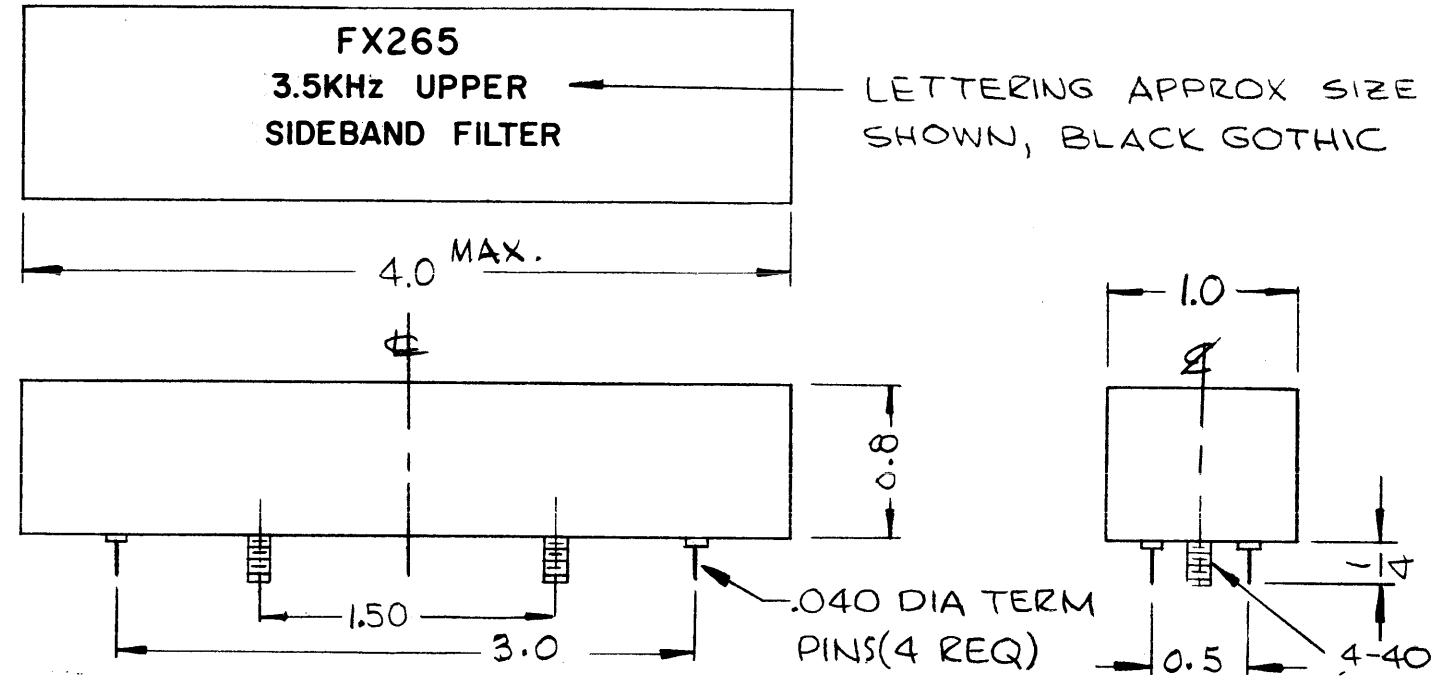


B
FX265

REVISIONS						
SYM	DESCRIPTION	DATE	E.M.N. NO.	DRAFT	CHKD	APPD
X	EXPERIMENTAL RELEASE	1/21/66	X	RME	<i>[Signature]</i>	
Ø	ORIGINAL RELEASE FOR PROD.	1/24/66	Ø	RME		
A	CHG'D TEST DIAGRAM	1/12/66	17174	RME	<i>[Signature]</i>	
B	CHG'D 6 dB TO 10 dB (INSERTION LOSS)	12/15/66	17494	RME	<i>[Signature]</i>	



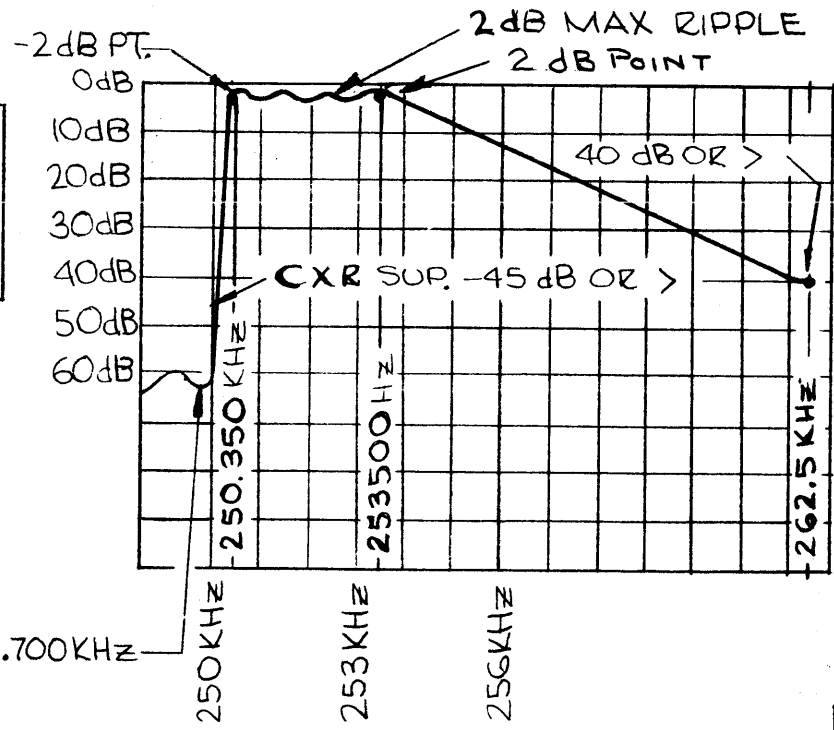
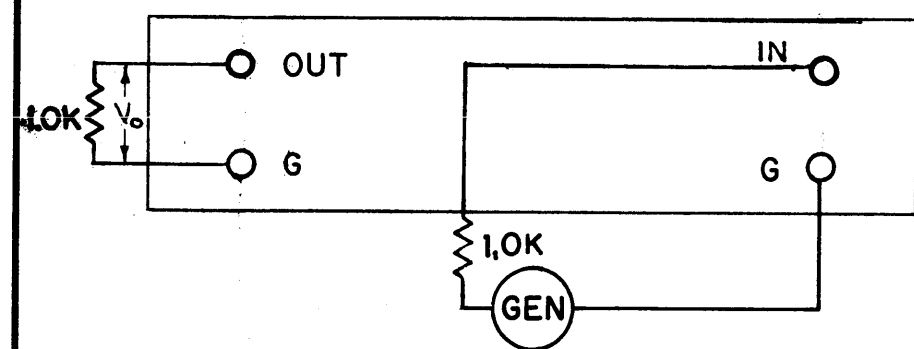
SPECIFICATIONS

ELECTRICAL:

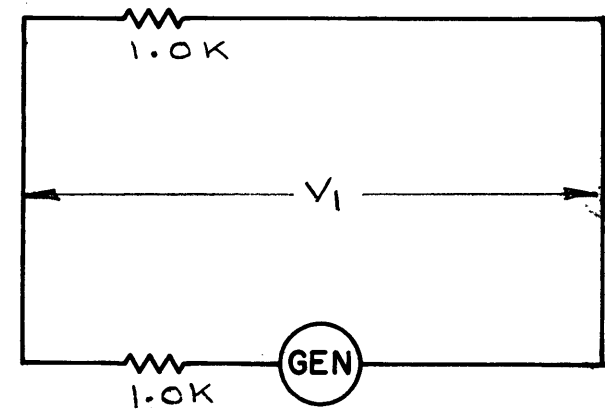
TYPE: UPPER SIDEBAND
 CARRIER FREQUENCY: 250 KHz
 CARRIER SUPPRESSION: -45 dB OR GREATER
 -2dB POINTS: 250.350 KHz MAX: 253.500 KHz ±500 Hz
 TRAILING SLOPE: 262.5 KHz 40 dB OR MORE
 UNWANTED SIDEBAND ATTENUATION: GREATER THAN 60 dB FOR FREQUENCIES LESS THAN 249.700 KHz INCLUDING ALL RETURN LOSSES AND SPURIOUS
 MAXIMUM PASSBAND RIPPLE: 2 dB
 INSERTION LOSS: 10 dB MAX
 INPUT AND OUTPUT IMPEDANCE: 1.0 K UNBALANCED
 TEMPERATURE RANGE: 0° TO 70°C

MECHANICAL:

CASE: STEEL, HERMETICALLY SEALED
 FINISH: BRUSHED NICKEL, OR POWDER BLASTED BRIGHT NICKEL
 MOUNTING: 4-40 x 1/4" STUDS (2 REQ)
 TERMINAL: DOUBLE END PIN TYPE, BRASS, SILVER PLATED, BEAD INSULATED



INSERTION (LOSS OR GAIN) ± (V₁ - V₀) IN dB



NOTES

Q'TY./UNIT	MODEL USED ON	ASS'Y. NO.
	MMX-1	
SCALE	CODE	S401-308()
THE CONTENTS OF THIS DRAWING ARE THE EXCLUSIVE PROPERTY OF THE TECHNICAL MATERIEL CORP. ITS UNAUTHORIZED USE OR REPRODUCTION IN WHOLE OR IN PART IS STRICTLY FORBIDDEN.		

REQ'D.	ITEM	PART NUMBER	DESCRIPTION	SYMBOL
LIST OF MATERIAL				
MATERIAL		THE TECHNICAL MATERIEL CORP. MAMARONECK, NEW YORK		
FINISH		TITLE UPPER SIDEBAND FILTER BANDPASS (3.5 KHz)		
UNLESS OTHERWISE SPECIFIED DIMENSIONS ARE IN INCHES AND INCLUDE CHEMICALLY APPLIED OR PLATED FINISHES	DRAWN		DATE	FINAL APPROVAL
DECIMALS .X ± .05 .XX ± .01 .XXX ± .005	TOLERANCES		DATE	DATE
	FRACTIONS ± 1/64 ANGLES ± 0° 30'		DATE	DATE
ELECT. DES.		DATE		DATE
MECH. DES.		DATE		DATE
SHEET				REV. LTR.