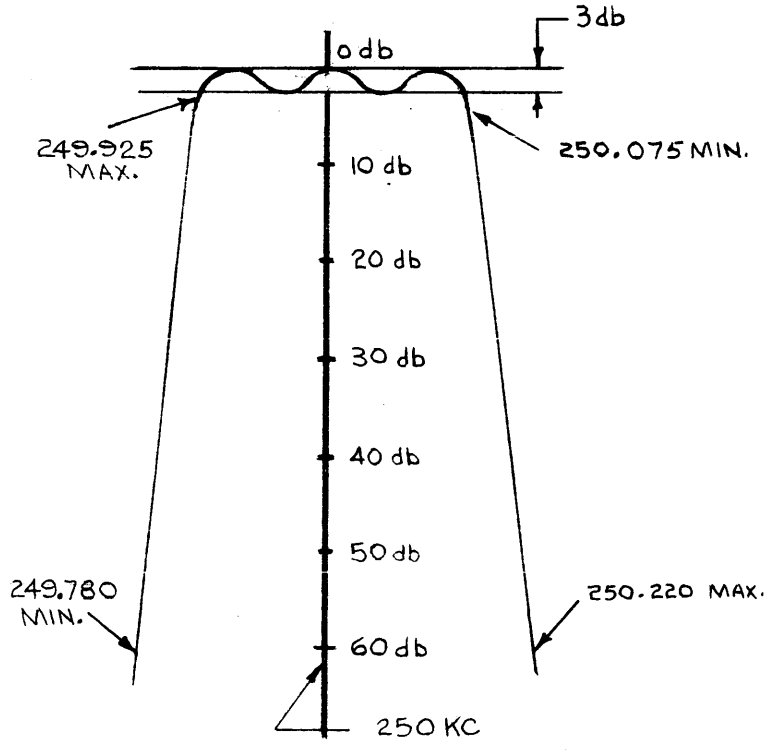
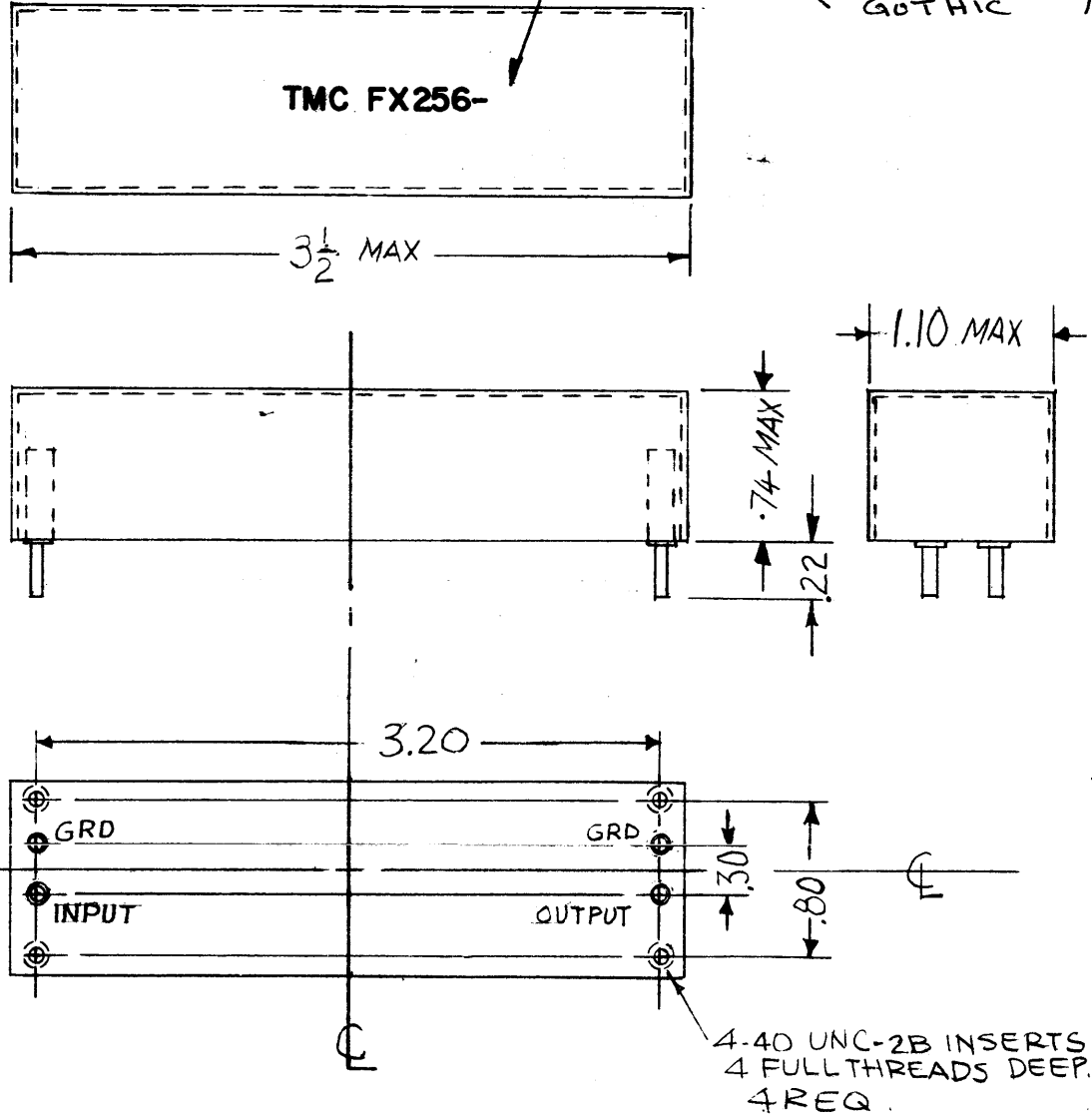


MARK TMC PART NO WITH LATEST REVISION LETTER. (1/8 HIGH BLACK) GOTHIC



REVISIONS						
SYM	DESCRIPTION	DATE	EM N. NO.	DRAFT	CHKD	APPD
Ø	ORIGINAL RELEASE FOR PROD	8/2/66	9			
A	COMPLETELY REVISED TO REFLECT SMALLER CASE DESIGN. CHG'D QTY. STUDS FR A TO 2	8/16/66	16747	RME	Jde	MM
B	"GLASS OR" ADDED TO TERM NOTE	9.23.66	16923	WV	JCB	MM
C	COMPLETELY REVISED	8/23/67	18439	H.G.		EFM
D	HGT. DIM. 74 MAX WAS .660, LTH. DIM. 3 1/2 MAX WAS 3.48 WTH. DIM. 110 MAX WAS 110 ± .82, ADD. STEEL PIN DIM. 22	1-29-69	19220	GE	Jd	op

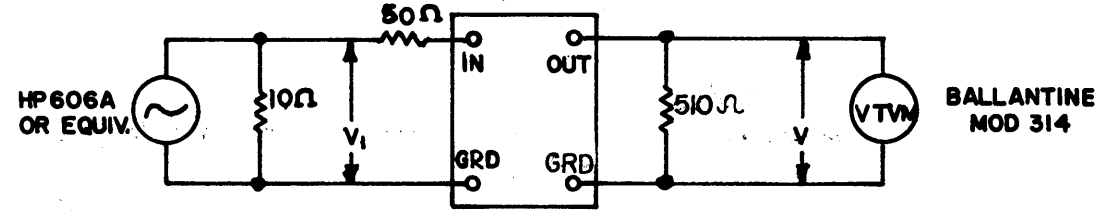
**ELECTRICAL SPECIFICATIONS**

- TYPE: SYMMETRICAL
- db MEASUREMENTS: ALL db MEASUREMENTS ARE RELATIVE TO MAX SIGNAL RESPONSE IN PASSBAND
- FREQUENCY: 250 kHz
- 3db POINTS: 250.075 kHz MIN, 249.925 kHz MAX
- 60db POINTS: 250.220 kHz MAX, 249.780 kHz MIN
- ALL RETURN LOBES AND SPURIOUS SHALL BE -60 db OR GREATER AT ALL FREQUENCIES FROM 100 TO 500 kHz.
- MAX PASSBAND RIPPLE: 3 db
- VOLTAGE GAIN: 0 db ± 1 db
- OUTPUT IMPEDANCE: 510 Ω
- TEMPERATURE RANGE: 0° TO 65°C

**MECHANICAL SPECIFICATIONS**

CASE: HERMETICALLY SEALED  
 MATERIAL: STEEL  
 FINISH: BRUSHED NICKEL (NOTE: TERMINAL END UNPAINTED)  
 MOUNTING: #4 INSERTS (4 REQ.)  
 TERMINALS: DOUBLE END PIN TYPE, BRASS, SILVER PLATED, GLASS OR TEFLON INSULATION  
 MARKING: BLACK GOTHIC LETTERING AS PER TMC SPEC S727

VOLTAGE GAIN: ± (V<sub>0</sub>-V<sub>1</sub>) IN db.



REQ'D.	ITEM	PART NUMBER	DESCRIPTION	SYMBOL
<b>LIST OF MATERIAL</b>				
MATERIAL			<b>THE TECHNICAL MATERIEL CORP.</b> MAMARONECK, NEW YORK	
FINISH			TITLE FILTER, CRYSTAL, BANDPASS 150 Hz	
UNLESS OTHERWISE SPECIFIED DIMENSIONS ARE IN INCHES AND INCLUDE CHEMICALLY APPLIED OR PLATED FINISHES			DRAWN RME CHECKED Jde ELECT. DES. MECH. DES.	DATE 8-2-66 DATE 8-2-66 DATE DATE
DECIMALS .X ± .05 .XX ± .01 .XXX ± .005			TOLERANCES FRACTIONS ± 1/64 ANGLES ± 0° 30'	
THE CONTENTS OF THIS DRAWING ARE THE EXCLUSIVE PROPERTY OF THE TECHNICAL MATERIEL CORP. ITS UNAUTHORIZED USE OR REPRODUCTION IN WHOLE OR IN PART IS STRICTLY FORBIDDEN.			FINAL APPROVAL DATE 8/2/66 DATE 8/2/66 DATE DATE	
1 HFRR-4 Q'TY./UNIT SCALE 5401-129			ASS'Y. NO. CODE SHEET REV. LTR.	

**NOTES**