

REVISIONS						
SYM	DESCRIPTION	DATE	E.M.N. NO.	DRAFT	CHKD	APPD
Ø	ORIGINAL RELEASE FOR PRODU	3-10-67		L.A.K.		J.H.S.

SPECIFICATIONS

ELECTRICAL REQUIREMENTS:

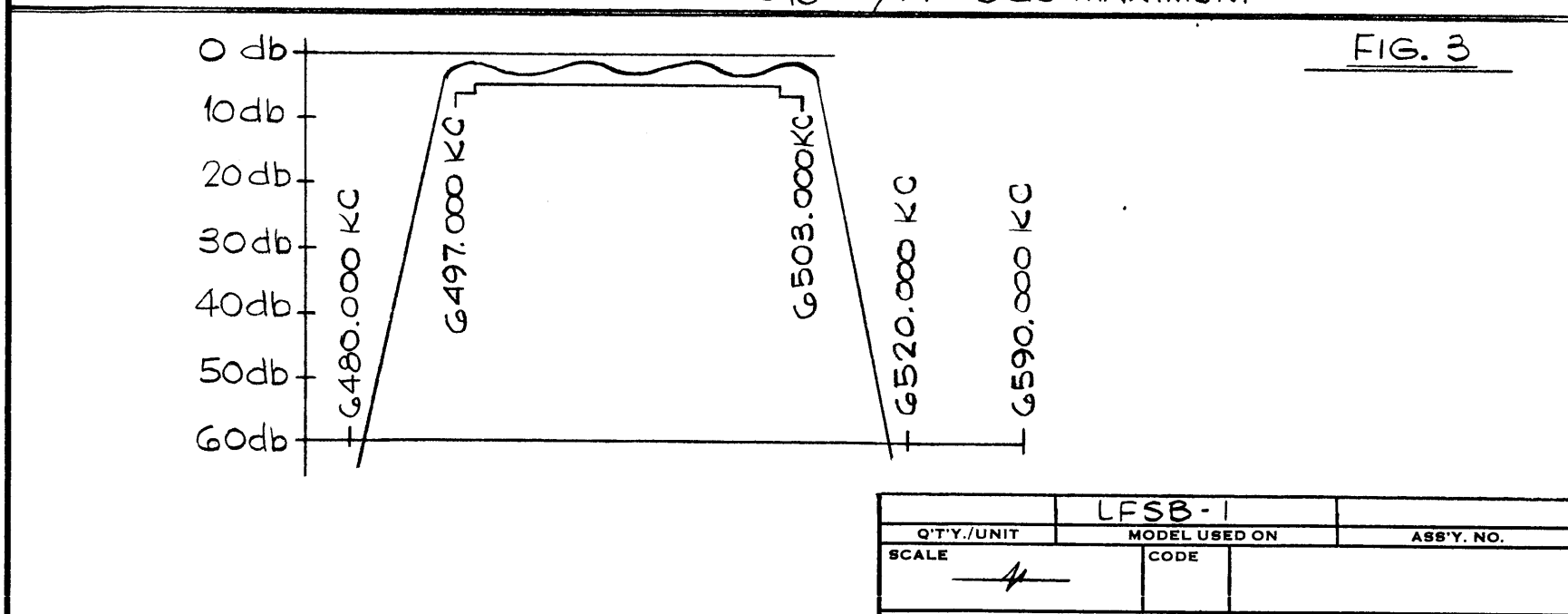
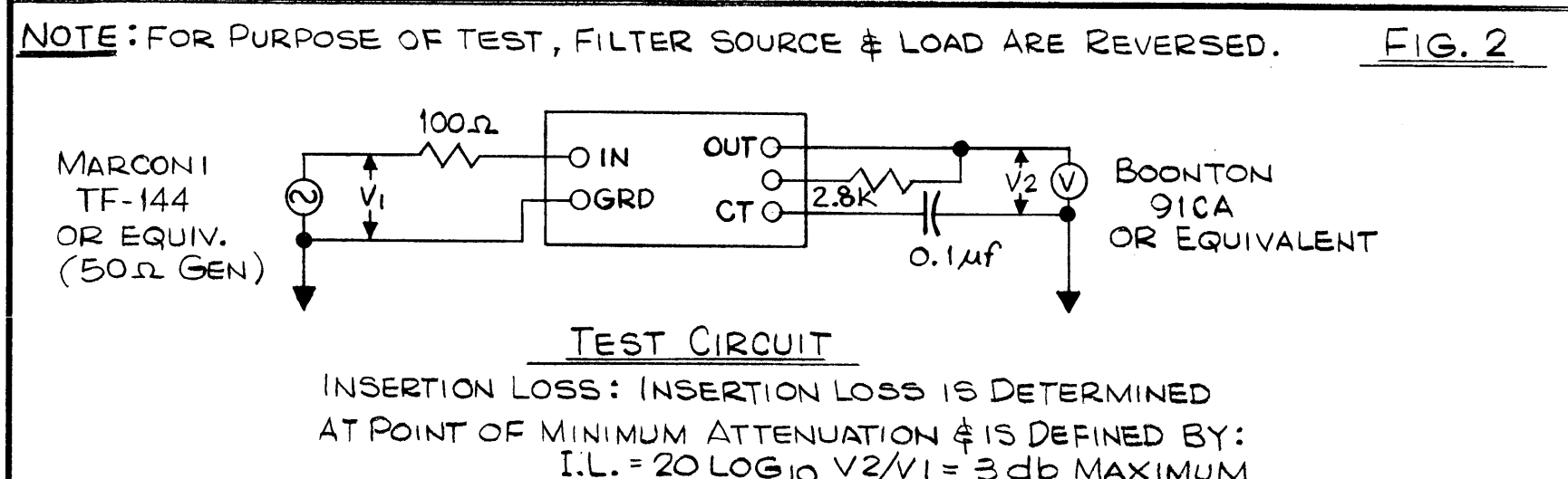
1. TYPE: 6.5 MC BANDPASS, 3db BANDWIDTH 6 KC MIN.
2. ATTENUATION: SEE FIG. 3
3. SOURCE IMPEDANCE: 2.8 K ± 5% RESISTIVE (SEE FIG. 2).
4. LOAD IMPEDANCE: 150 ± 5% RESISTIVE.
5. INSERTION LOSS: 3db MAX. (SEE FIG. 2).
6. PEAK TO VALLEY RATIO: ± 1 db MAX.

ENVIRONMENTAL REQUIREMENTS:

1. OPERATING TEMPERATURE RANGE: 0 TO 70°C.

MECHANICAL REQUIREMENTS:

1. UNIT TO BE HERMETICALLY SEALED.
2. DIMENSIONS: SEE FIG. 1.
3. FINISH: BRUSHED BRIGHT NICKEL.
4. MATERIAL: BRASS
5. MARKING: SEE FIG. 1.



REQ'D.	ITEM	PART NUMBER	DESCRIPTION	SYMBOL
POSE LIST OF MATERIAL				
MATERIAL		THE TECHNICAL MATERIEL CORP. MAMARONECK, NEW YORK		
FINISH		TITLE FILTER, CRYSTAL, 6.5 MC BANDPASS 3db BANDWIDTH 6 KC MINIMUM		
UNLESS OTHERWISE SPECIFIED DIMENSIONS ARE IN INCHES AND INCLUDE CHEMICALLY APPLIED OR PLATED FINISHES		DRAWN HLA	DATE	FINAL APPROVAL
DECIMALS .X ± .00 .XX ± .00 .XXX ± .00		CHECKED	DATE	DATE 3/10/67
TOLERANCES		ELECT. DES.	DATE	FX 201
FRACTIONS ± 1/64 ANGLES ± 0° 30'		MECH. DES.	DATE	Ø
		SHEET		REV. LTR.

NOTES

THE CONTENTS OF THIS DRAWING ARE THE EXCLUSIVE PROPERTY OF THE TECHNICAL MATERIEL CORP. ITS UNAUTHORIZED USE OR REPRODUCTION IN WHOLE OR IN PART IS STRICTLY FORBIDDEN.