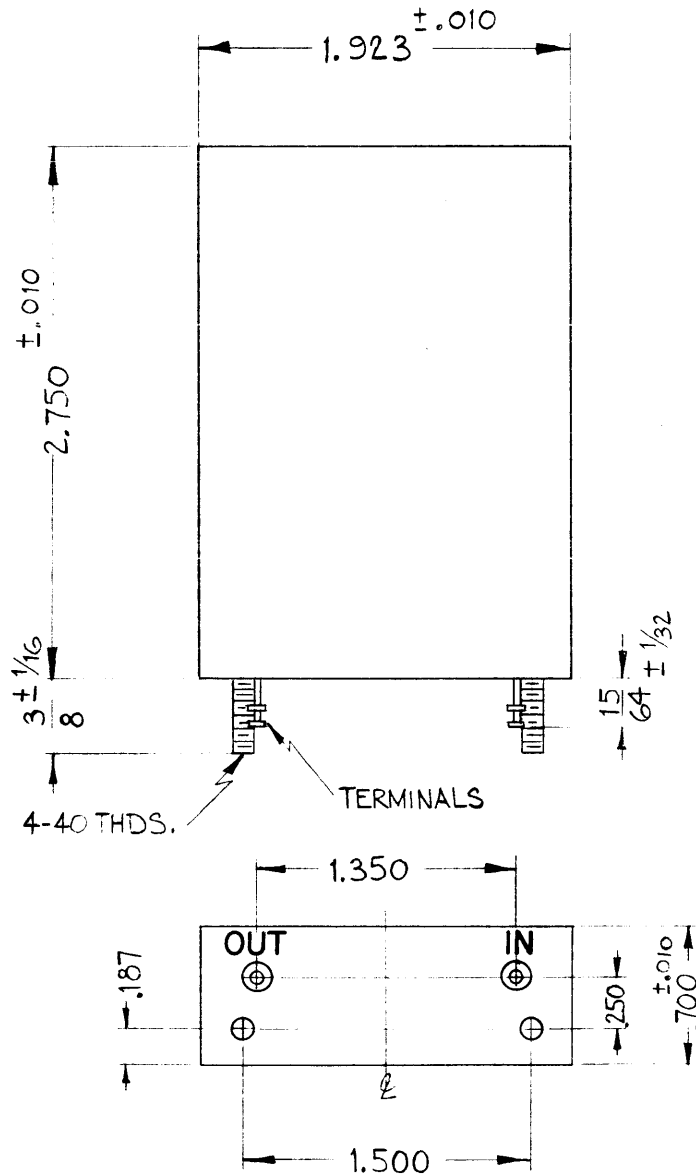


FX-180

THE CONTENTS OF THIS DRAWING ARE THE EXCLUSIVE PROPERTY OF THE TECHNICAL MATERIEL CORP. ITS UNAUTHORIZED USE OR REPRODUCTION IN WHOLE OR IN PART IS STRICTLY FORBIDDEN.

ALL LETTERING TO BE BLACK GOTHIC AS SHOWN.

081-X-180
MAMARONECK
NEW YORK
THE TECHNICAL MATERIEL CORP.

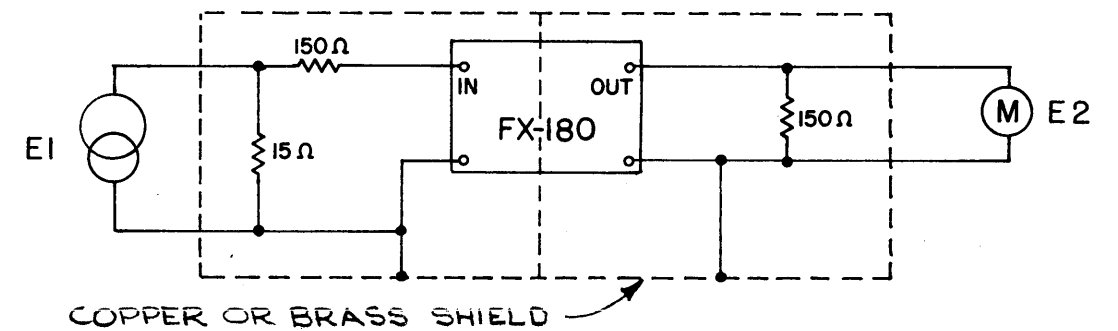


ELECTRICAL SPECIFICATIONS-

- INPUT & OUTPUT IMPEDANCE ~ 150 OHMS
- INSERTION LOSS ~ EQUAL TO OR LESS THAN 1DB.
- RIPPLE IN PASS BAND ~ EQUAL TO OR LESS THAN .2DB.
- ATTENUATION ~ EQUAL TO OR LESS THAN 4DB AT 37.00 MC
- EQUAL TO OR MORE THAN 50DB AT 40MC AND ABOVE.
- ALL RESISTORS ± 1% NON-INDUCTIVE CARBON.

TO BE MEASURED WITH THE FOLLOWING EQUIPMENT :

- 1-BOONTON 91C VOLT METER.
- 2-OSCILLATOR-GENERAL RADIO MODEL 1211B
- 3-"E1" INPUT IS KEPT CONSTANT OVER FREQUENCY RANGE.



INSERTION LOSS @ 15MC = $[20 \log \frac{E1}{E2}] - 6db$

A	ATTENUATION WAS "EQUAL TO OR LESS THAN 50db---" TEST SCHEMATIC & NOTE ADDED	5-23-63	9065			
SYM	DESCRIPTION	DATE	CH. NO.	DRAFTS	CHECKER	ENG. APP.
UNLESS OTHERWISE SPECIFIED:		SCALE: 3401-151				
DIMENSIONS ARE IN INCHES		MAXIMUM ALLOWABLE TOLERANCES HAVE BEEN DETERMINED AND ANY DEVIATIONS WILL BE CAUSE FOR REJECTION.				
TOLERANCES ON FRACTIONS ± 1/64 DECIMALS ± .005 ANGLES ± 1/2°		REMOVE ALL BURRS AND SHARP EDGES				

1	HFS-1				8-17-62
REQ. PER UNIT	MODEL	SECTION	ASS'Y. NO.	DATE	USED ON

REQ. ITEM	PART NO.	J. STRUMER	DESCRIPTION	SYMBOL
#26 GA		THE TECHNICAL MATERIEL CORP. MAMARONECK, NEW YORK		
STOCK SIZE		FILTER, LOW PASS 37 MC		
STEEL				
MATERIAL				
SOFT C.R.		M.A.F.	J. De	RP
TYPE & TEMPER	HEAT TREAT. SPEC.	DRAWN	CHECKED	FINAL APPROVAL
S115 SMOOTH GREY ENAMEL		J.M.	J.M.	FX-180
FINISH & SPEC. NO.		elec. DES. APP.	MECH. DES. APP.	A