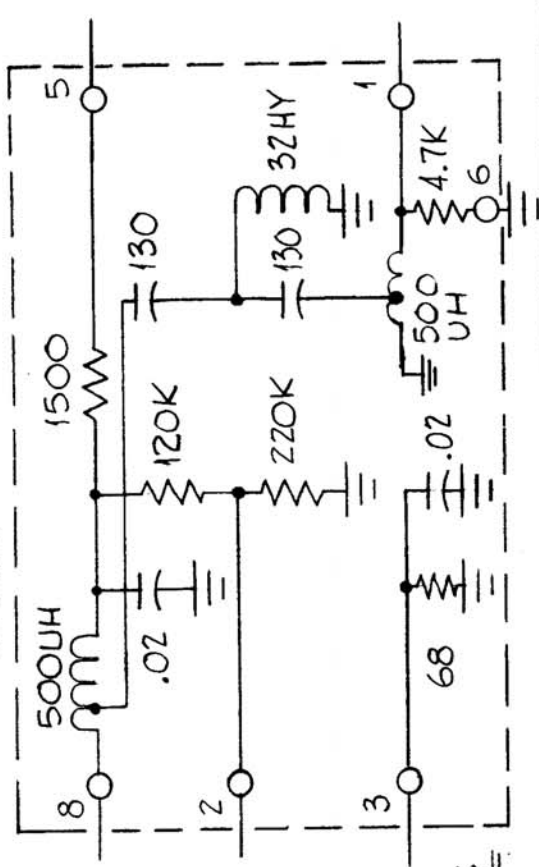


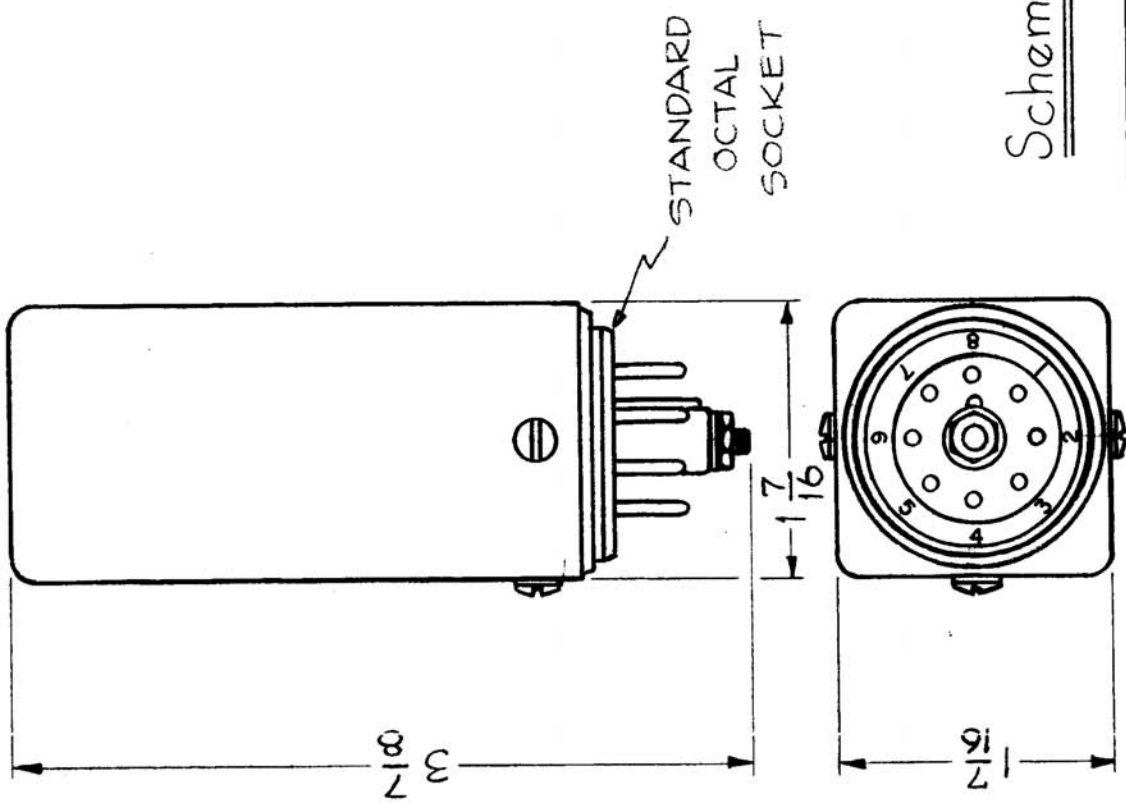
FX-161 B

REQ. PER UNIT	1
MODEL	CMO-1
USED ON	
ASBY. NO.	4-20-60
DATE	

CUTOFF FREQ - 1.3 MC
 INPUT - PIN 8
 OUTPUT - PIN 1
 GROUND - PIN 6
 CASE - ALUMINIUM



Schematic



REG. ITEM	PART NO.	DESCRIPTION	SYMBOL
		THE TECHNICAL MATERIEL CORP. MAMARONECK, NEW YORK	
		FILTER, HIGH PASS	
		J.C. Biela	65
		DRAWN	CHECKED
		TYPE & TEMPER	HEAT TREAT. SPEC.
		FINISH & SPEC. NO.	ELEC. DES. APP. MECH. DES. APP.
		FX-161 B	

REG. ITEM	3821	3677	4A-1874
DATE	12-28-60	12-9-60	
CH. NO.			
DRAFTS	RU	JCB	JCB
CHECKER	JCB	JCB	JCB
ENG. APP.	JCB	JCB	JCB

SCALE: 4A-1874

MAXIMUM ALLOWABLE TOLERANCES HAVE BEEN DETERMINED AND ANY DEVIATIONS WILL BE CAUSE FOR REJECTION. REMOVE ALL BURRS AND SHARP EDGES

TOLERANCES

DEC. DIM. ±
 FRAC. DIM. ± 1/64
 ANGULAR DIM. ±