

IF IT IS FOUND DESIRABLE TO CHANGE ANY TOLERANCE OR OTHER DETAIL SPECIFIED ON THIS DRAWING NOTIFY THE PURCHASER PROMPTLY.

MAXIMUM ALLOWABLE TOLERANCES HAVE BEEN DETERMINED AND DEVIATIONS WILL BE CAUSE FOR REJECTION. REMOVE ALL BURRS AND SHARP EDGES

SUFFIX	C.P.S.
FX-140 - 425	425
- 595	595
- 765	765
- 935	935
- 1105	1105
- 1275	1275
- 1445	1445
- 1615	1615
- 1785	1785
- 1955	1955
- 2125	2125
- 2295	2295
- 2465	2465
- 2635	2635
- 2805	2805
- 2975	2975

**ELECTRICAL SPECIFICATIONS-**

Filter unit is centered on freq denoted by suffix; Flat within 3 db to + 50 cps; Down not less than 36 db at + 140 cps; Insertion loss not exceeding 6 5 db. at center frequency.

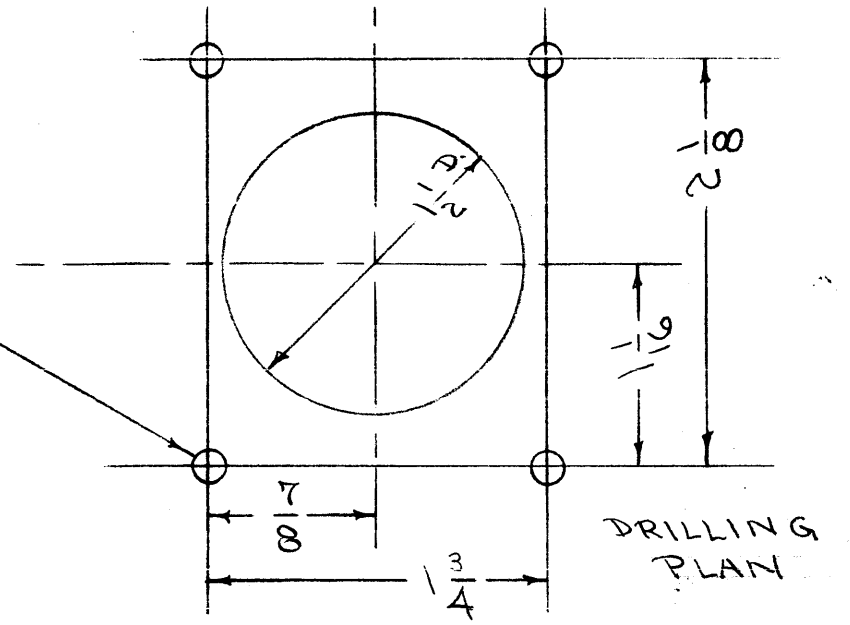
The input terminals of the entire FX-140 family can be connected in parallel without deteriorating the performance of any one unit.

The output terminals of the type FX-140 may be connected to the input terminals of the type FX-139 of like center frequency. The input and output impedances are 600 ohms, unbalanced.

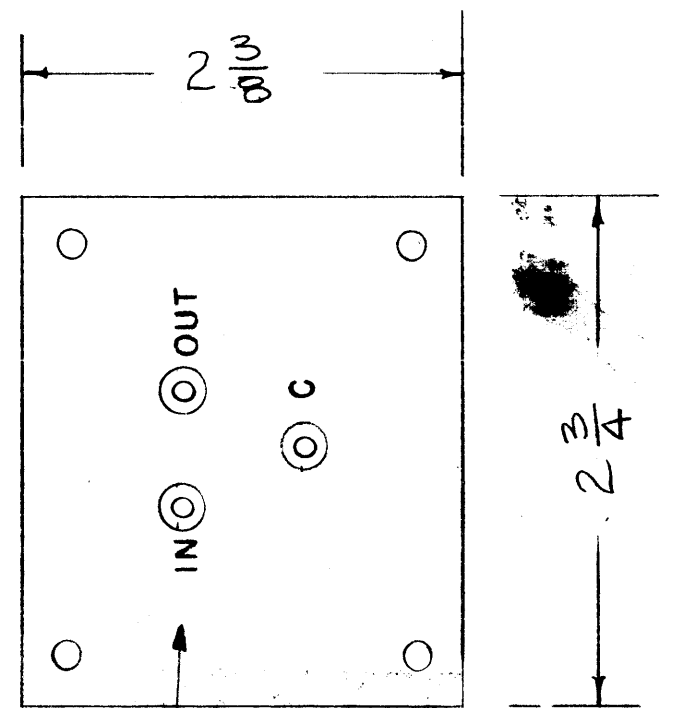
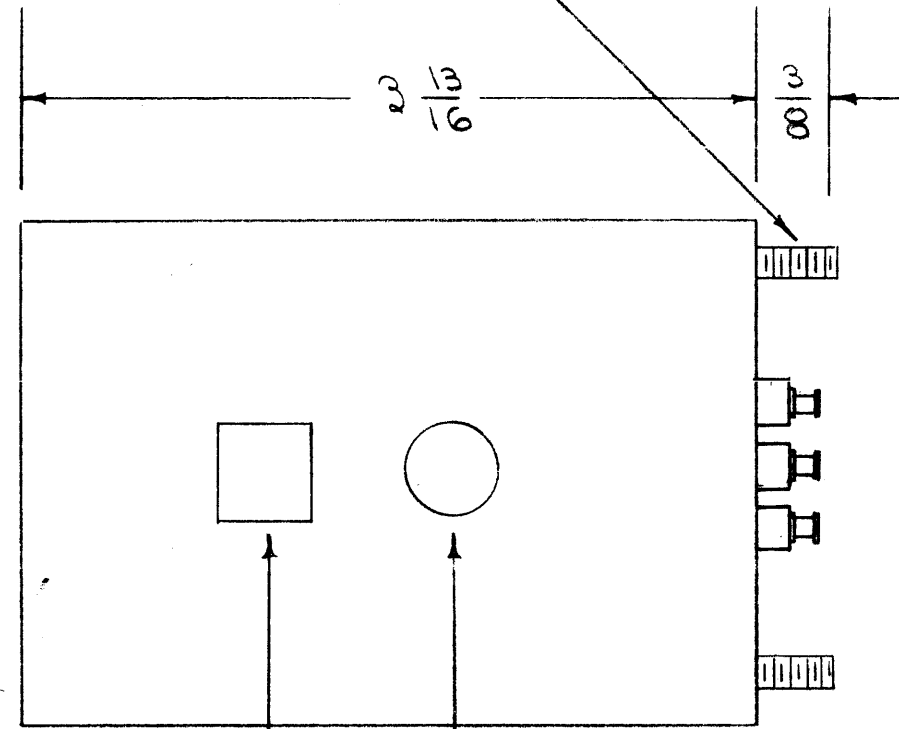
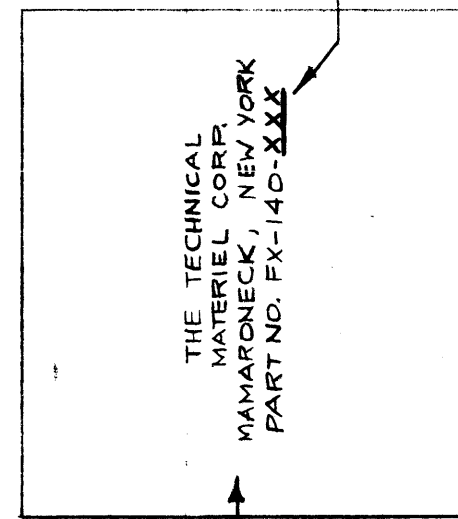
**FINISH NOTE-**

- Degrease
- S-114 - Zinc Chromate Primer
- S-153 - Smooth Grey enamel Air Drying

FX-140 C



THIS SECTION AS PER CHART



NOTE: SUFFIX DENOTES CENTER FREQ. IN C.P.S.

THE TECHNICAL MATERIEL CORP. MAMARONECK, NEW YORK PART NO. FX-140-XXX

TMC APPROVAL STAMP

TMC INSPECTION STAMP

1/8 METAL STAMP (Before Painting)

REF: COMMUNICATIONS ACCESSORIES

ISSUE	ITEM	CHANGED FROM	DATE	CN. NO.	DRAFTS	CHECKER	ENG. APP.
C	1	DIM. CHG'D. FROM 2.300 X 2.670 to 2-3/8 X 2-3/4 AS PER BX-100-9	1/6/58	3	16	Handwritten	Handwritten
B	3	ELEC. SPEC. CLARIFIED					
B	2	STAMPING CHG'D.	1/22/57	2	16	Handwritten	A.J.J.
B	1	FX-140-2975 FINISH ADDED					
A	1	ELEC. SPEC. REVISED	11/11/55	1	13	K2	A.J.J.

TOLERANCES		SCALE:
ALL OTHERS	DEC. DIM. ± FRAC. DIM. ± ANGULAR DIM. ±	DRILL, PUNCH, COMMERCIAL STOCK SIZES AND MANUFACTURERS TOLERANCES ARE NOT INCLUDED.

MODEL	PROJECT NO.	ASS'Y. NO.	DATE
T15 (TRF)		CK-258	1-22-57
RCR			

REQ.	ITEM	PART NO.	DESCRIPTION	SYMBOL
			THE TECHNICAL MATERIEL CORP. MAMARONECK, NEW YORK	
			FILTER, BAND PASS	
			FX-140	
			C.D.D. 6-10-54	K2
			DRAWN	ELEC. DES. APP. MECH. DES. APP.
			CHECKED	FINAL APPROVAL
			4-A-781 OBS.	FX-140