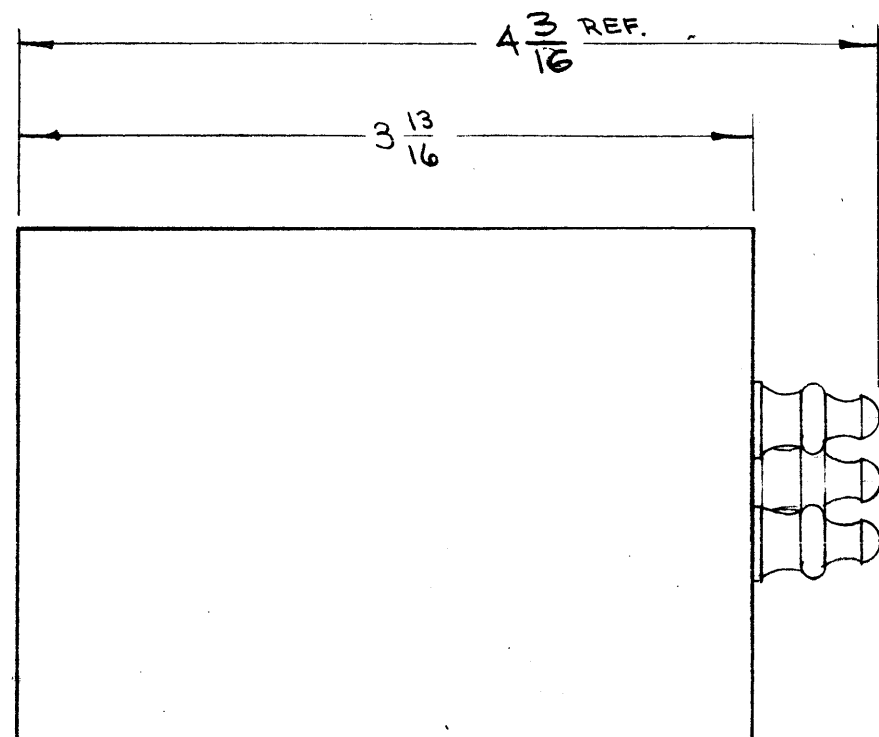


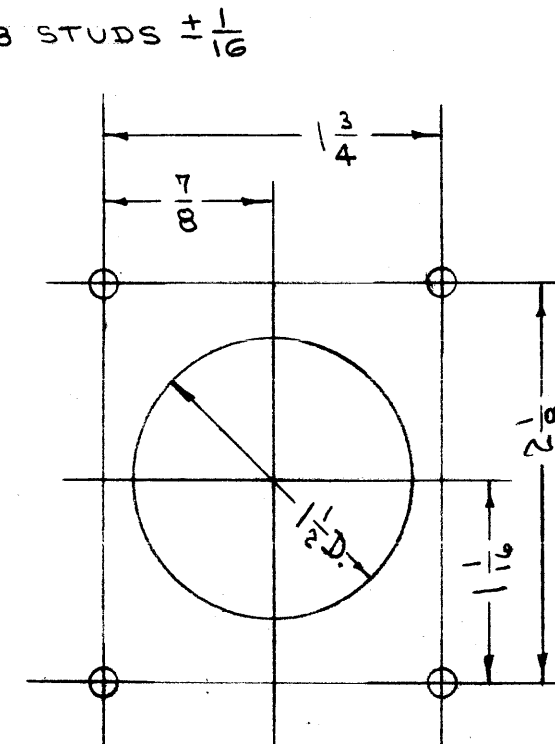
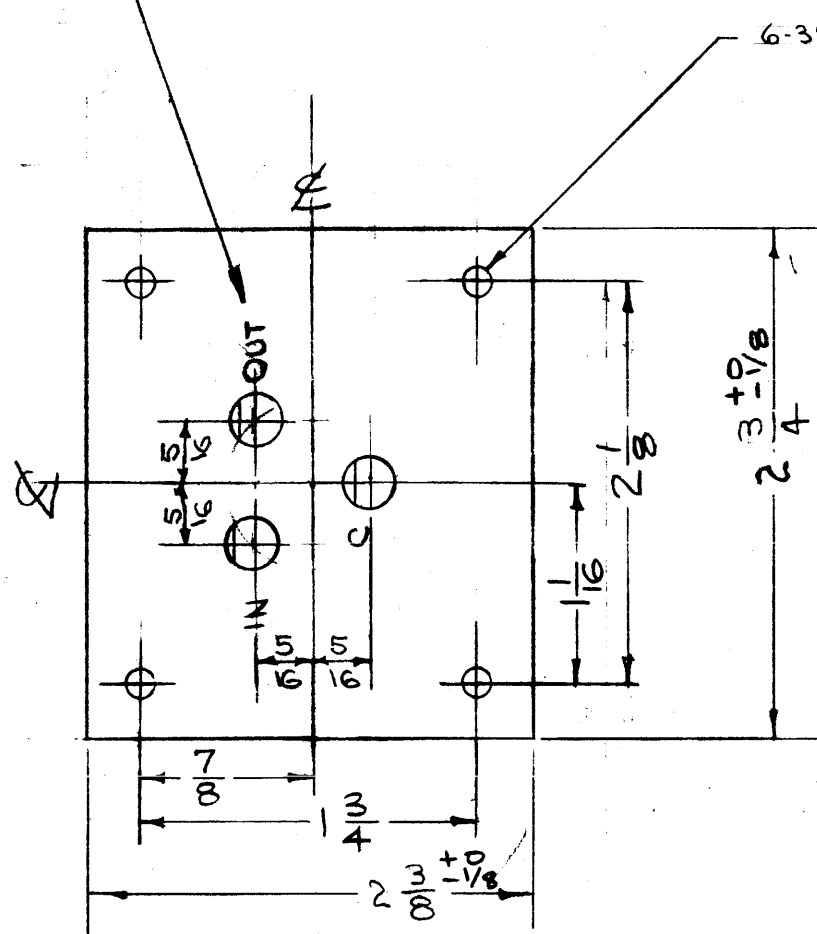
IF IT IS FOUND DESIRABLE TO CHANGE ANY TOLERANCE OR OTHER DETAIL SPECIFIED ON THIS DRAWING NOTIFY THE PURCHASER PROMPTLY.

MAXIMUM ALLOWABLE TOLERANCES HAVE BEEN DETERMINED AND DEVIATIONS WILL BE CAUSE FOR REJECTION. REMOVE ALL BURRS AND SHARP EDGES



E
FX-101

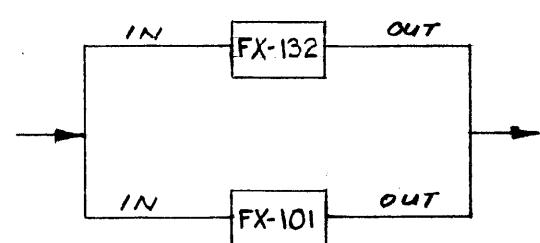
TERMINAL IDENTIFICATION TO BE MAINTAINED WITHIN 1/2 DIA. CIRCLE LETTERING TO BE 1/8 HIGH.



CHASSIS CUTOUT DETAIL

- 1 Specification:**
Filter, Band Pass, Centered on 2975 C.P.S.
Flat within 3 D. B to + 125 C.P.S. down not less than 45 D.B. at ± 475 cps. Insertion loss 7 D.B., Input and output impedance 600 ohms.
- 2 Terminals:** Shall be TEFLON body, tinned lugs, neoprene gland, hermetically sealed.
- 3 Case:** Shall be made of cold rolled steel, electro tinned.
- 4 Finish:** Shall be grey, TMC Specification S-115 the studs and terminals shall be free of paint.
- 5 Lettering:** Shall be 1/8 inch high Gothic characters and shall be coated with clear fungicidal lacquer, except metal stamping.

- 6. Unit shall be hermetically sealed.**
Shall Be Capable Of Operating As Follows :



With no deterioration of its characteristics.

E	1	SPEC. #4 (FINISH) WAS S10B	8-17-64	12129	JTB	@	MM
D	1	NOTE 2, Teflon WAS Steatite (CTE-134 of equal) Deleted	11-10-60	3446	RU	FL	MD
C	4	CASE IS NOW IN ACC. WITH MIL-T-27A TYPE GA (BK100-9)					
	3	CASE WAS HOT TIN DIP, CAD. P. 25	7/6/58	3	JTB	16	JTB
	2	2 3/4 WAS 2 5/8					
B	7	2 3/8 WAS 2 5/16					
A	1	3 ADDED TO 475 CPS	7/17/57	2	JTB		AT
		DIAG. NOTE ADDED	5-25	1	JTB		AT
ISSUE	ITEM	CHANGED FROM	DATE	CN. NO.	DRAFT	CHECK	ENG. APP.

STOCK SIZE		THE TECHNICAL MATERIEL CORP.	
		MAMARONECK. NEW YORK	
MATERIAL		FILTER, BAND PASS 2975 CPS	
WEIGHT PER PC.		RECEIVING	
TYPE & TEMPER		C.D.D. 2-2-53	
HEAT TREAT. SPEC.		DRAWN	
		ELEC. DES. APP.	
		CHECKED	
		FINAL APPROVAL	
FINISH & SPEC. NO.		2A-440	
		FX-101	

ISSUE	ITEM	CHANGED FROM	DATE	CN. NO.	DRAFTS	CHECKER	ENG. APP.
TOLERANCES		SCALE: #					
ALL OTHERS	DEC. DIM. \pm	DRILL, PUNCH, COMMERCIAL STOCK					
	FRAC. DIM. $\pm 1/64$	SIZES AND MANUFACTURERS					
	ANGULAR DIM. \pm	TOLERANCES ARE NOT INCLUDED.					

SFP-2	121	A-448	4-16-53
SFP-1	121	A-445	2-2-53
MODEL	PROJECT NO.	ASSY. NO.	DATE