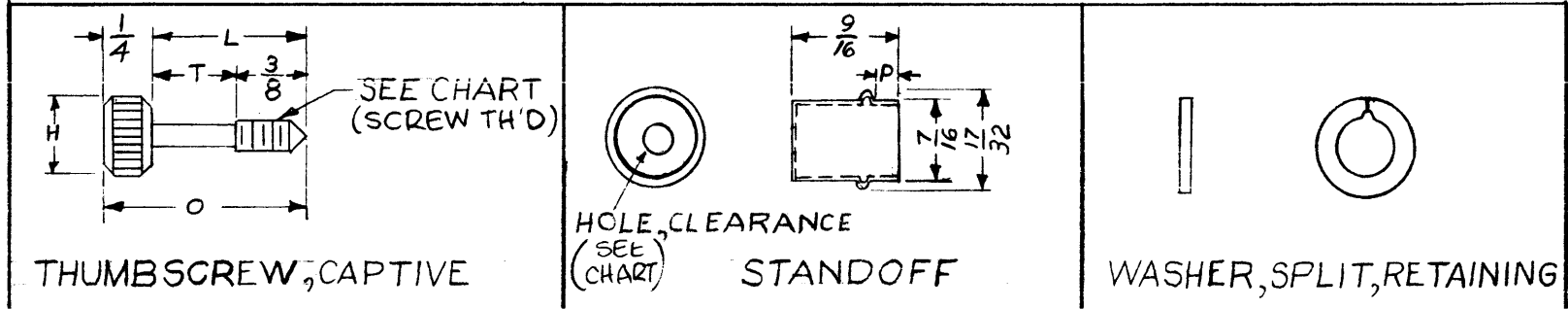
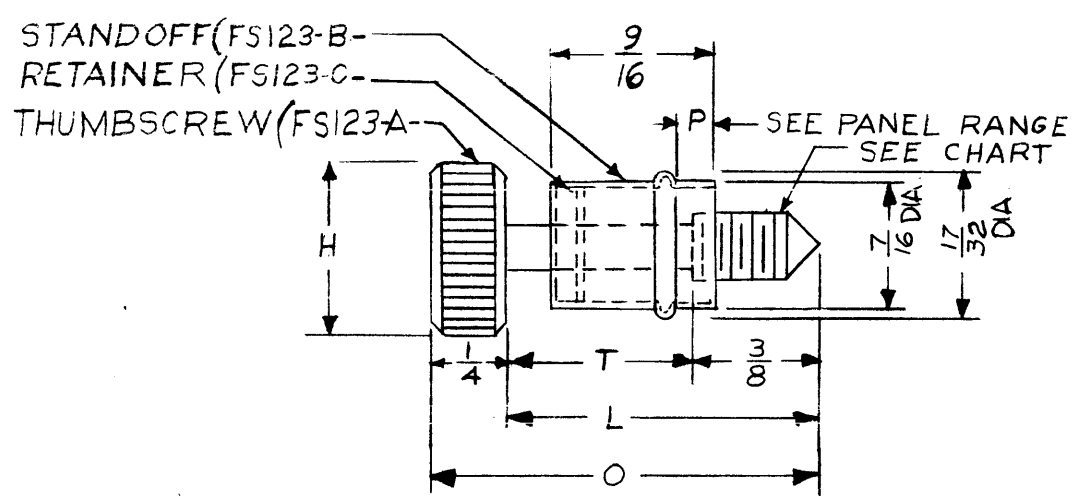
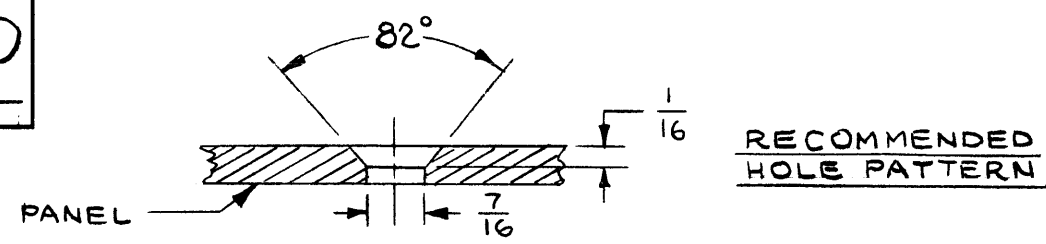


TMC P/N	MFG. P/N	CONSISTS OF ONE EACH			T	L	O	P	H	SCREW THREAD	PANEL RANGE
		THUMB SCREW	STANDOFF	WASHER							
FS123-1	54-47-809-56	FS-123-A1	FS-123-B1	FS-123-C1	9/16	15/16	3/16	3/16	7/16	8-32 NC-2	1/64 - 13/64

REVISIONS						
SYM	DESCRIPTION	DATE	E.M.N. NO.	DRAFT	CHKD	APPD
A	REDRAW & REVISED COMPLETELY	3-10-64	11027	A.M.	gcb	jc
B	RECOMMENDED HOLE PATTERN PICT. ADDED	10-9-64	12590	hob	@	R

FS123



TMC P/N	MFG P/N	O	L	T	H	SCREW THD.	TMC P/N	MFG P/N	P	HOLE CLEAR.	TMC P/N	MFG P/N	USED WITH
FS123-A1	54-17-309-56	3/16	15/16	9/16	7/16	8-32 NC-2	FS123-B1	58-17-309-56	3/16	8-32 NC-2	FS123-C1	58-45-524	8-32 NC-2 THD

PART	MATERIAL	FINISH
SCREW	BRASS	BRIGHT & CHROME NICKEL PLATE
STANDOFF	BRASS	BRIGHT NICKEL
RETAINER	STAINLESS STEEL 302	PASSIVATE

REQ'D.	ITEM	PART NUMBER	DESCRIPTION	SYMBOL
LIST OF MATERIAL				
MATERIAL			THE TECHNICAL MATERIEL CORP. MAMARONECK, NEW YORK	
FINISH			TITLE THUMBSCREW, CAPTIVE	
UNLESS OTHERWISE SPECIFIED DIMENSIONS ARE IN INCHES AND INCLUDE CHEMICALLY APPLIED OR PLATED FINISHES			DRAWN A. MARINO	DATE 3-10-64
TOLERANCES			CHECKED gcb	DATE 3-10-64
DECIMALS .X ± .05 .XX ± .01 .XXX ± .005			ELECT. DES.	DATE
FRACTIONS ± 1/64 ANGLES ± 0° 30'			MECH. DES.	DATE
THE CONTENTS OF THIS DRAWING ARE THE EXCLUSIVE PROPERTY OF THE TECHNICAL MATERIEL CORP. ITS UNAUTHORIZED USE OR REPRODUCTION IN WHOLE OR IN PART IS STRICTLY FORBIDDEN.			FINAL APPROVAL <i>[Signature]</i> FS123	
			DATE 3-10-64	
			SHEET	
			REV. LTR.	

NOTES