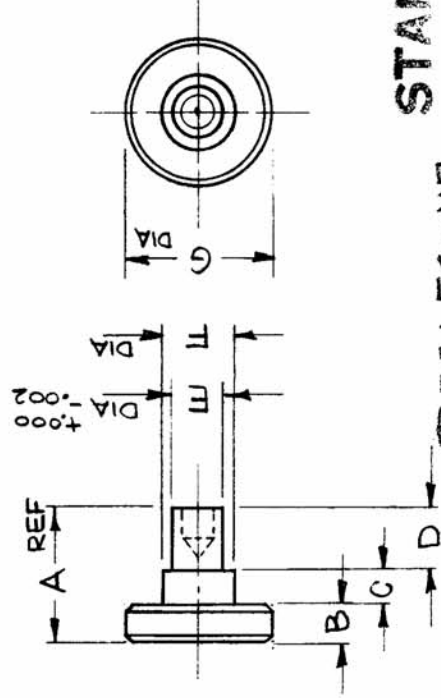


STANDARD DRAWING

REQ. PER UNIT	MODEL	USED ON
#	STANDARD	ASS'Y. NO.
		DATE
		8-15-63

FS-120 A

TMC PART NO	MFG'S PART NO.	MILITARY STD. NO.	DIMENSIONS					MATERIAL	FINISH
			A REF	B	C	D	F		
FS-120-1	1-R-093	NONE	.169	.031	.045	.093	.125	BRASS	NICKEL PLATED
FS-120-2	2-R-078	NONE	.215	.062	.075	.078	.184	STAINLESS STEEL	PASSIVATE
FS-120-3	2-R-113	AN-3195-31	.250	1/16	.075	.113	.125	STAINLESS STEEL	PASSIVATE



REF: FS-117

STANDARD DRAWING

REQ. ITEM	PART NO.	M. GELLMAN	DESCRIPTION	SYMBOL
#	SEE CHART		THE TECHNICAL MATERIEL CORP. MAMARONECK, NEW YORK	
STOCK SIZE				
			POST, SNRPSLIDE	
			FASTENER	
MATERIAL				
#				
TYPE & TEMPER	HEAT TREAT. SPEC.	DRAWN	CHECKED	FINAL APPROVAL
SEE CHART				
DATE	CH. NO.	DRAFTS	CHECKER	ENG. APP.
7.6.64	11714	JTB		
SCALE	NONE			
UNLESS OTHERWISE SPECIFIED DIMENSIONS ARE IN INCHES AND INCLUDE CHEMICALLY APPLIED OR PLATED FINISHES				
FRACTIONS ± 1/64 ANGLES, ± 0° 30'				
DECIMALS .X ± .05 .XX ± .01 .XXX ± .005				
TOLERANCES	CODE			
	C	S401-214		
				FS-120 A
				ELEC. DES. APP. MECH. DES. APP.
				8-11/4/63