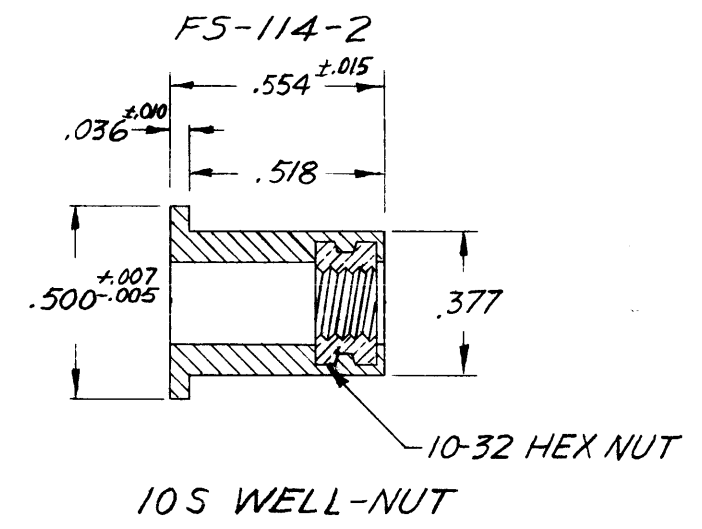
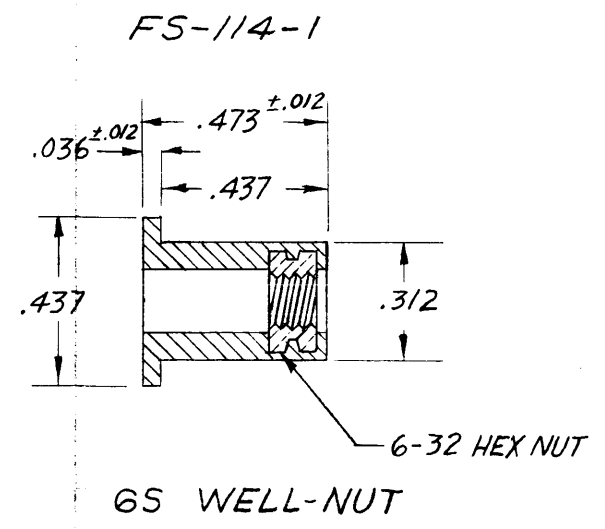


— SPECIFICATIONS —

FS-114

TMC PART NO.	TYPE	STANDARD THREAD	SUITABLE FOR WALL THICKNESS	HOLE DIAM.
FS-114-1	6S	6-32	.015" TO .154" .437 AND UP	5/16"
FS-114-2	10S	10-32	.015" TO .192" .518" AND UP	3/8"



NOTICE TO PERSONS RECEIVING THIS DRAWING

THE TECHNICAL MATERIEL CORPORATION claims proprietary right in the material disclosed herein. This drawing is issued in confidence for engineering information only and may not be reproduced or used to manufacture anything shown hereon without permission from THE TECHNICAL MATERIEL CORPORATION to the user. This drawing is loaned for mutual assistance and is subject to recall at any time.

Property of:
THE TECHNICAL MATERIEL CORPORATION
MAMARONECK, NEW YORK

SYM	DESCRIPTION	DATE	CH. NO.	DRAFTS	CHECKER	ENG. APP.
UNLESS OTHERWISE SPECIFIED:		SCALE: S401-145				
DIMENSIONS ARE IN INCHES		MAXIMUM ALLOWABLE TOLERANCES HAVE BEEN DETERMINED AND ANY DEVIATIONS WILL BE CAUSE FOR REJECTION.				
TOLERANCES ON FRACTIONS ± 1/64 DECIMALS ± .005 ANGLES ± 1/2°		REMOVE ALL BURRS AND SHARP EDGES				

REQ. PER UNIT	GPR-92	9-7-61
MODEL	SECTION	ASS'Y. NO.
USED ON		

REQ. ITEM	PART NO.	GELLMAN	DESCRIPTION	SYMBOL
STOCK SIZE		THE TECHNICAL MATERIEL CORP. MAMARONECK, NEW YORK		
722 BLACK NEOPRENE		FASTENER, WELL-NUT		
MATERIAL				
TYPE & TEMPER	HEAT TREAT. SPEC.	DRAWN	CHECKER	FINAL APPROVAL
		wh	RAC	FS-114
FINISH & SPEC. NO.		ELEC. DES. APP.	MECH. DES. APP.	