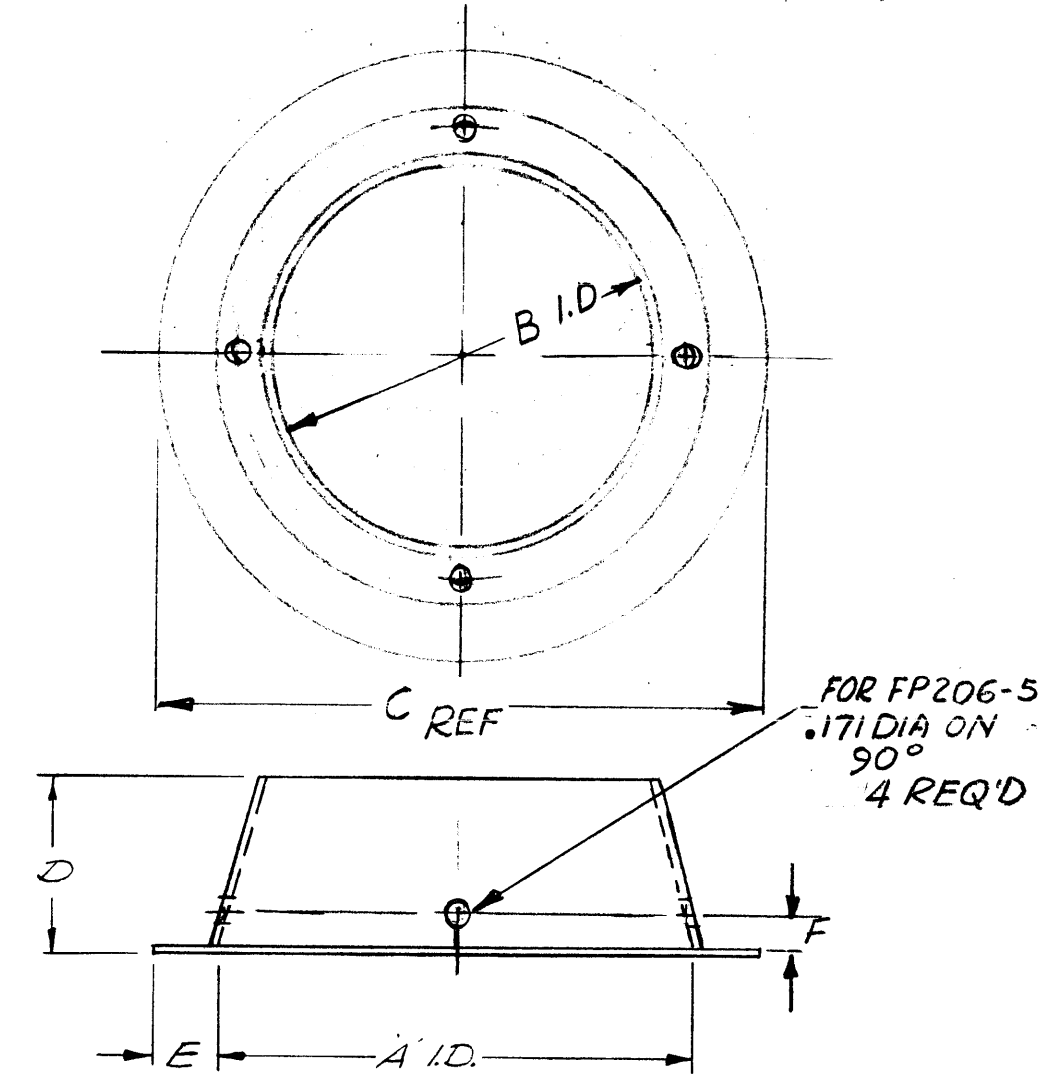


TMC P/N	A DIM.	B DIM.	C DIM.	D DIM.	E DIM.	F DIM.	MATL	FINISH
FP 206-1	8	6 ⁷ / ₁₆	9 ¹ / ₄	2 ¹ / ₂	5/8	—	FIB. GLS. 3 PLY	TMC GREY
FP 206-2	6	5 ¹⁵ / ₁₆	7 ¹ / ₄	1 ¹ / ₈	5/8	—	"	"
FP 206-3	1 ³ / ₄	1 ³ / ₄	2 ³ / ₈	1 ³ / ₈	5/16	—	"	"
FP 206-4	9-7/8	9-13/16	11-5/8	1-1/2	7/8	—	"	"
FP 206-5	6	5-15/16	7-1/4	1-7/8	NO FLANGE	3/8	"	"

REVISIONS						
ZONE	LTR	DESCRIPTION	DATE	E.M.N. NO	DRAFT	CHKD APPD
	A	FP206-3 ADDED	10/14/70	20031	W	PEJ PEJ
	B	FP206-4 ADDED	5/18/71	20361	RF	PEJ PEJ
	C	FP 206-5 ADDED	7/15/72	20492	W	EP EP
	D	ON FP 206-5 E DIM WAS 5/8 F DIM ADD. .171 DIA ON 90° 4 REQ ADD	3/12-74	21148	GDL	A A



STANDARD DRAWING

REQ'D	ITEM	PART NUMBER	DESCRIPTION	SYM.
		F BUDETTI	LIST OF MATERIAL	
FINAL APPROVAL		DATE	THE TECHNICAL MATERIEL CORP.	
MECH. DES.		DATE	MAMARONECK, NEW YORK	
ELECT. DES.		DATE	FLUE, OUTSIDE FLANGE	
DRAWN		DATE	SIZE	CODE IDENT. NO.
EVANGELIS		12-1-69	B	82679
MATERIAL		SEE CHART	DWG NO.	ISSUE
FINISH		SEE CHART	FP 206	D
SCALE			SHEET OF	

QTY / UNIT	MODEL USED ON	ASS'Y NO.
	PALAIOK	
APPLICATION		
	CODE	
NOTICE TO PERSONS RECEIVING THIS DRAWING THE TECHNICAL MATERIEL CORPORATION claims proprietary right in the material disclosed hereon. This drawing is issued in confidence for engineering information only and may not be reproduced or used to manufacture anything shown hereon without permission from THE TECHNICAL MATERIEL CORPORATION to the user. This drawing is loaned for mutual assistance and is subject to recall at any time.		