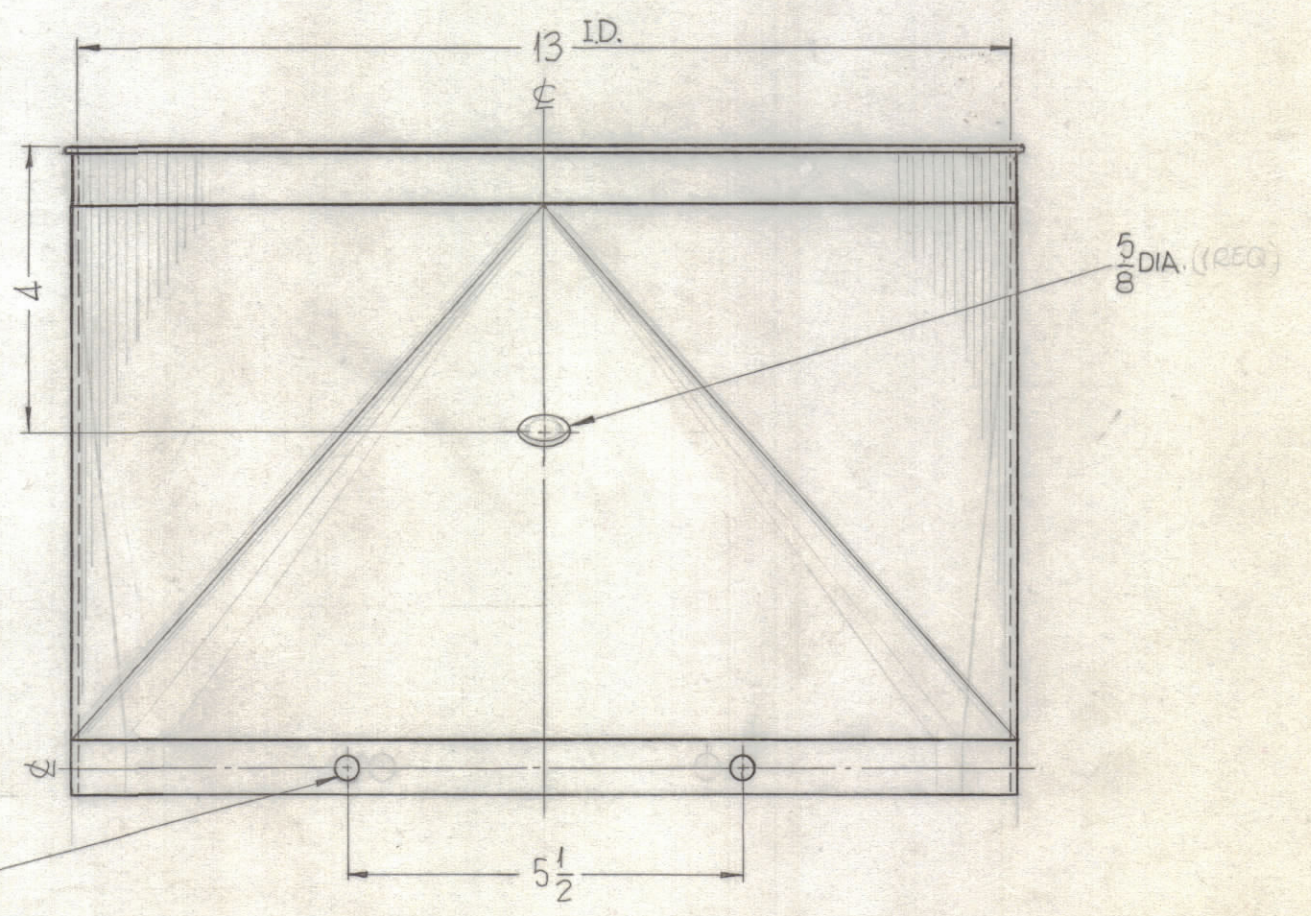
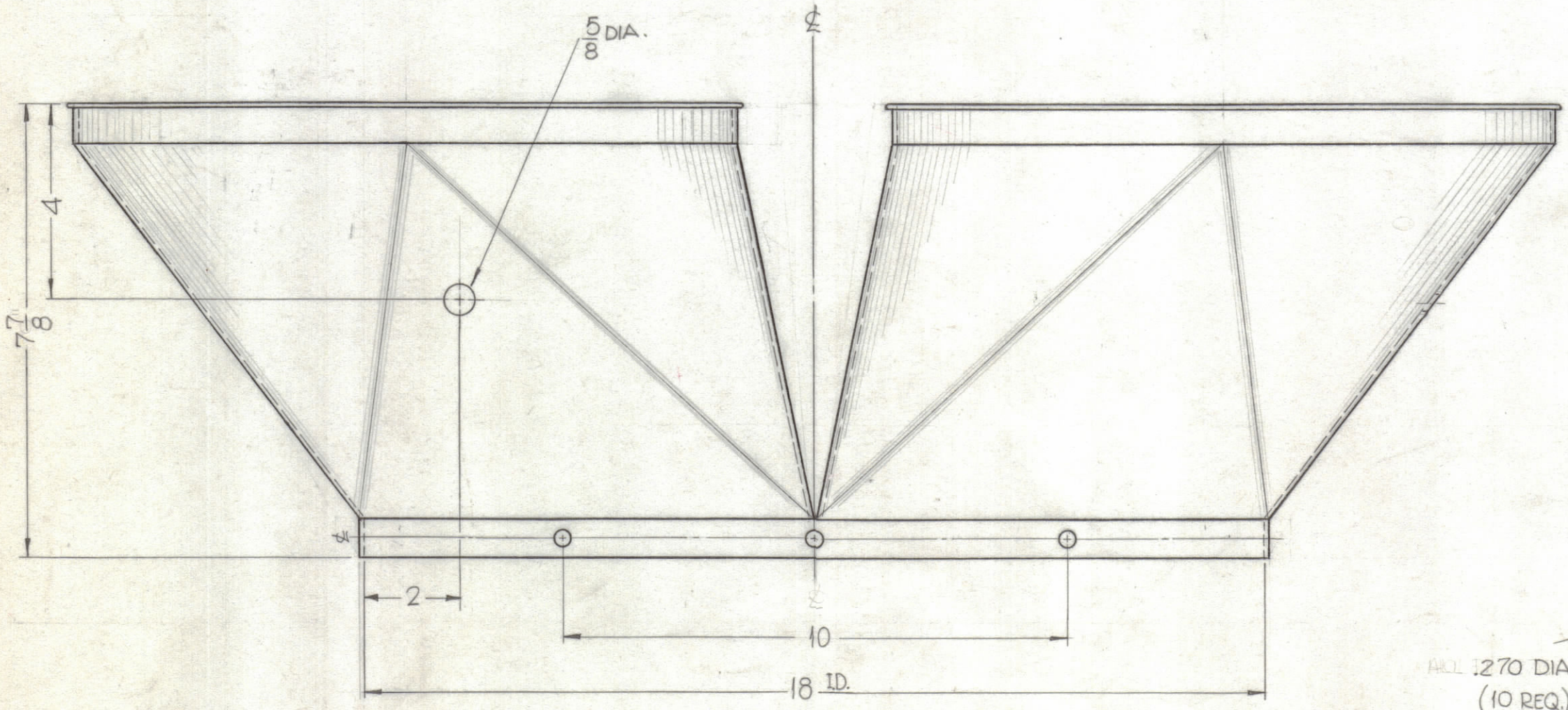
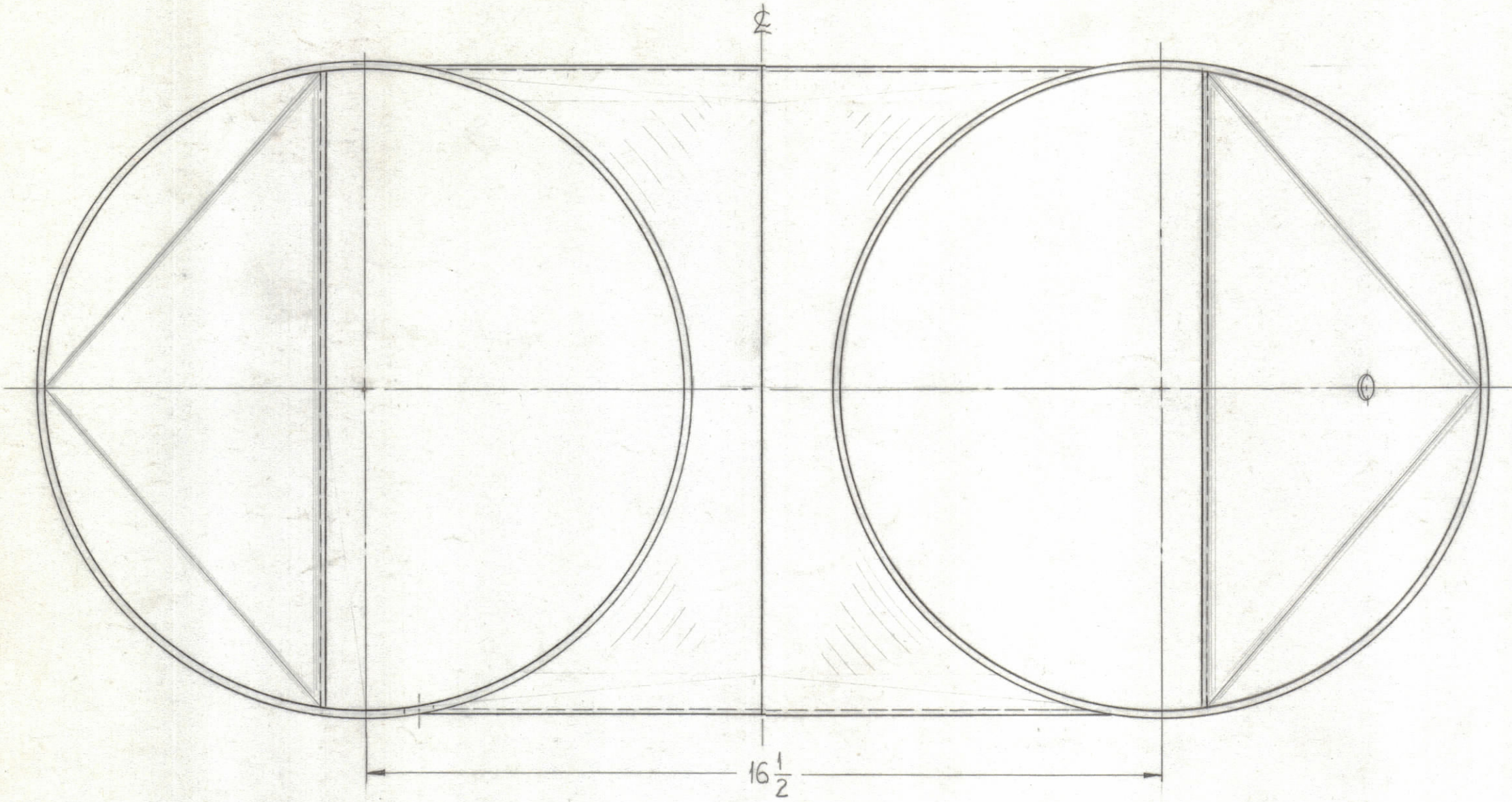


REVISIONS						
ZONE	SYM	DESCRIPTION	DATE	E.M.N. NO.	DRAFT	APPD
	X2	5/8 HOLE ADDED				
	O	ORIGINAL RELEASE FOR PRODUCTION	5-27-64	O	A.M.	



ALL .270 DIA.
(10 REQ.)

REF: TMC DWG BL-113

NOTE:
DIMENSIONS FOR REFERENCE ONLY

REQ'D.	ITEM	PART NUMBER	DESCRIPTION	SYMBOL
F. BUDETTI LIST OF MATERIAL				
MATERIAL		THE TECHNICAL MATERIEL CORP. MAMARONECK, NEW YORK		
.064 THICK STEEL		DUCT, AIR (CENTRIFUGAL BLOWER)		
FINISH		TITLE		
SEMI GLOSS BLACK ENAMEL		DRAWN Gianfilippo		
UNLESS OTHERWISE SPECIFIED DIMENSIONS ARE IN INCHES AND INCLUDE CHEMICALLY APPLIED OR PLATED FINISHES		DATE 11-17-62		FINAL APPROVAL [Signature]
DECIMALS .X ± .05 .XX ± .01 .XXX ± .005		CHECKED aa		DATE 5/21/64
FRACTIONS ± 1/64 ANGLES ± 0° 30'		ELECT. DES. [Signature]		DATE 5/21/64
TOLERANCES		MECH. DES. [Signature]		DATE 5/21/64
SHEET				REV. LTR.

Q'TY./UNIT	MODEL USED ON	ASS'Y. NO.
1	GPT-200K	
SCALE DO NOT SCALE		
THE CONTENTS OF THIS DRAWING ARE THE EXCLUSIVE PROPERTY OF THE TECHNICAL MATERIEL CORP. ITS UNAUTHORIZED USE OR REPRODUCTION IN WHOLE OR IN PART IS STRICTLY FORBIDDEN.		

NOTES

FP-196
O