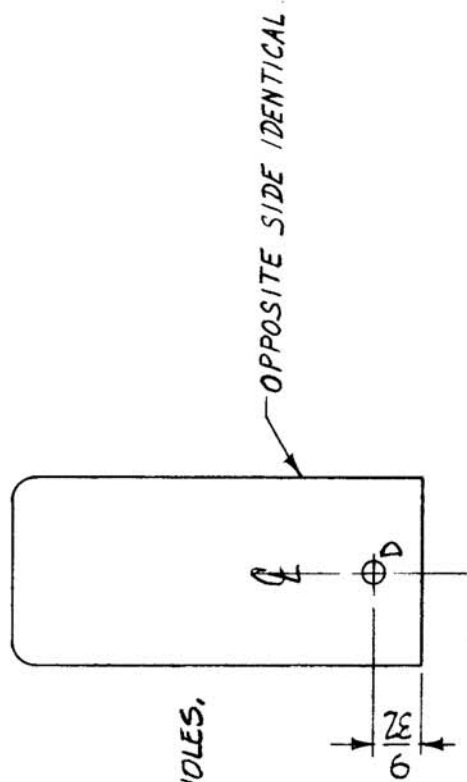
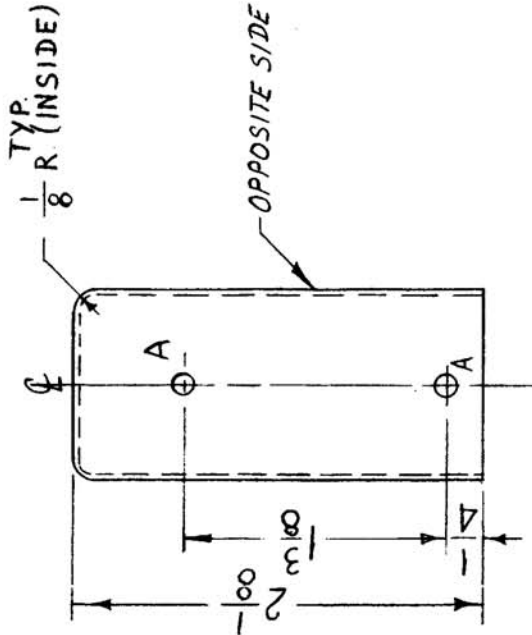
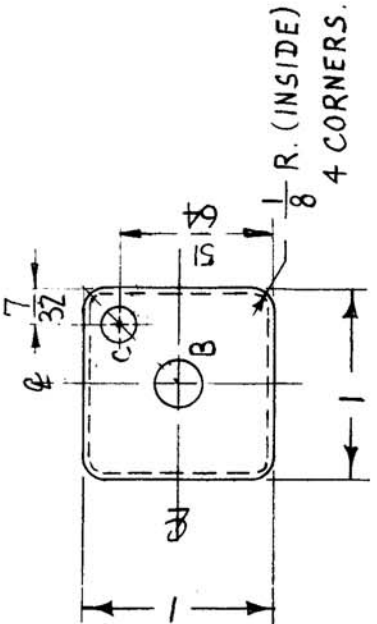


REQ. PER. UNIT	USED ON	DATE
1	CHG-1	10-17-60
	MODEL	
	ASSY. NO.	
	FP-184	A

- A ~ $\frac{5}{32}$ DIA. 2 REQ.
- B ~ $\frac{17}{64}$ DIA. 1 "
- C ~ $\frac{7}{32}$ DIA. 1 "
- D ~ .144 DIA. 2 "



REF: FP. 182-5

REG. ITEM	PART NO.	DESCRIPTION	SYMBOL
.0159		THE TECHNICAL MATERIEL CORP.	
ALUMINUM	STOCK SIZE	MAMARONECK, NEW YORK	
	MATERIAL	CAN,	
	HEAT TREAT. SPEC.	(BAL. MODULATOR)	
TYPE & TEMPER	CHECKED	DRAWN	FINAL APPROVAL
S404 YELL. IRIDITE			FP-184
FINISH & SPEC. NO.	ELEC. DES. APP	MECH. DES. APP	A

ISSUE ITEM: A 1 COMPLETELY REDESIGNED

CHANGED FROM: 11/21/60

DATE: 11/21/60

CH. NO.: 3512

DRAFTS: DM

CHECKER: JPB

ENG. APP.

SCALE: MAXIMUM ALLOWABLE TOLERANCES HAVE BEEN DETERMINED AND ANY DEVIATIONS WILL BE CAUSE FOR REJECTION. REMOVE ALL BURRS AND SHARP EDGES

TOLERANCES: DEC. DIM. ± 1/64

FRAC. DIM. ± 1/64

ANGULAR DIM. ±