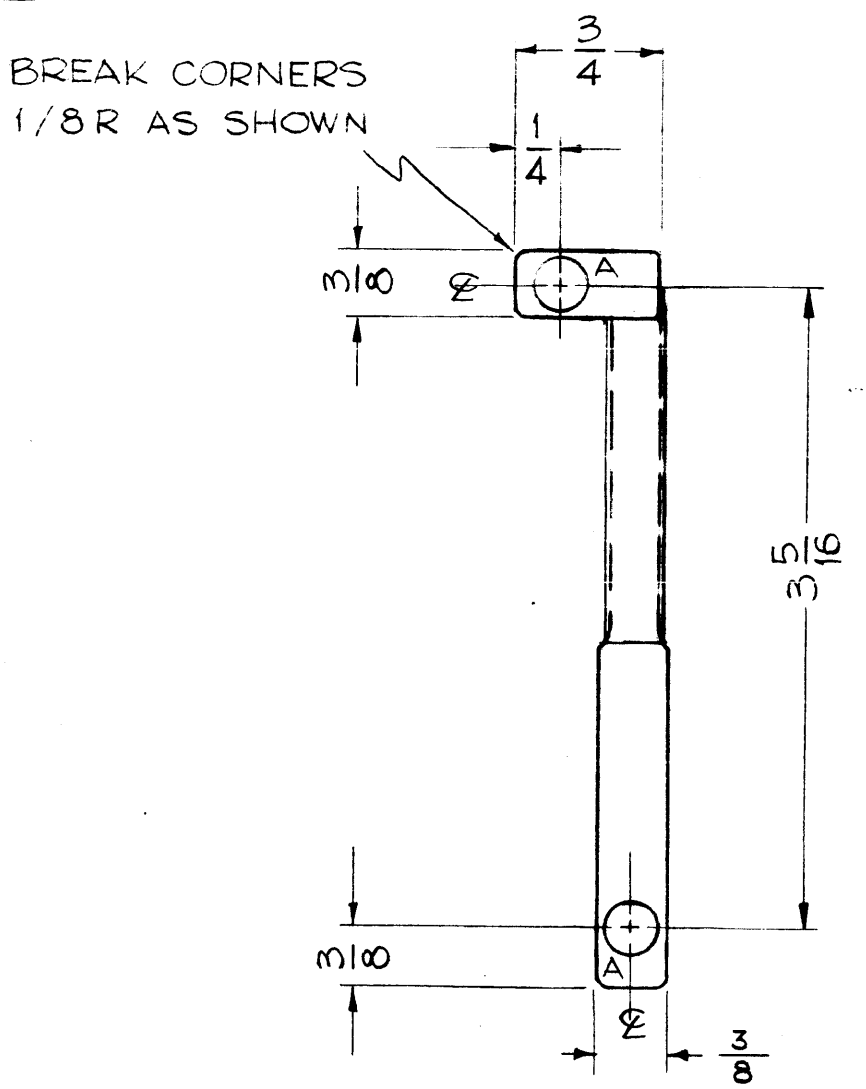
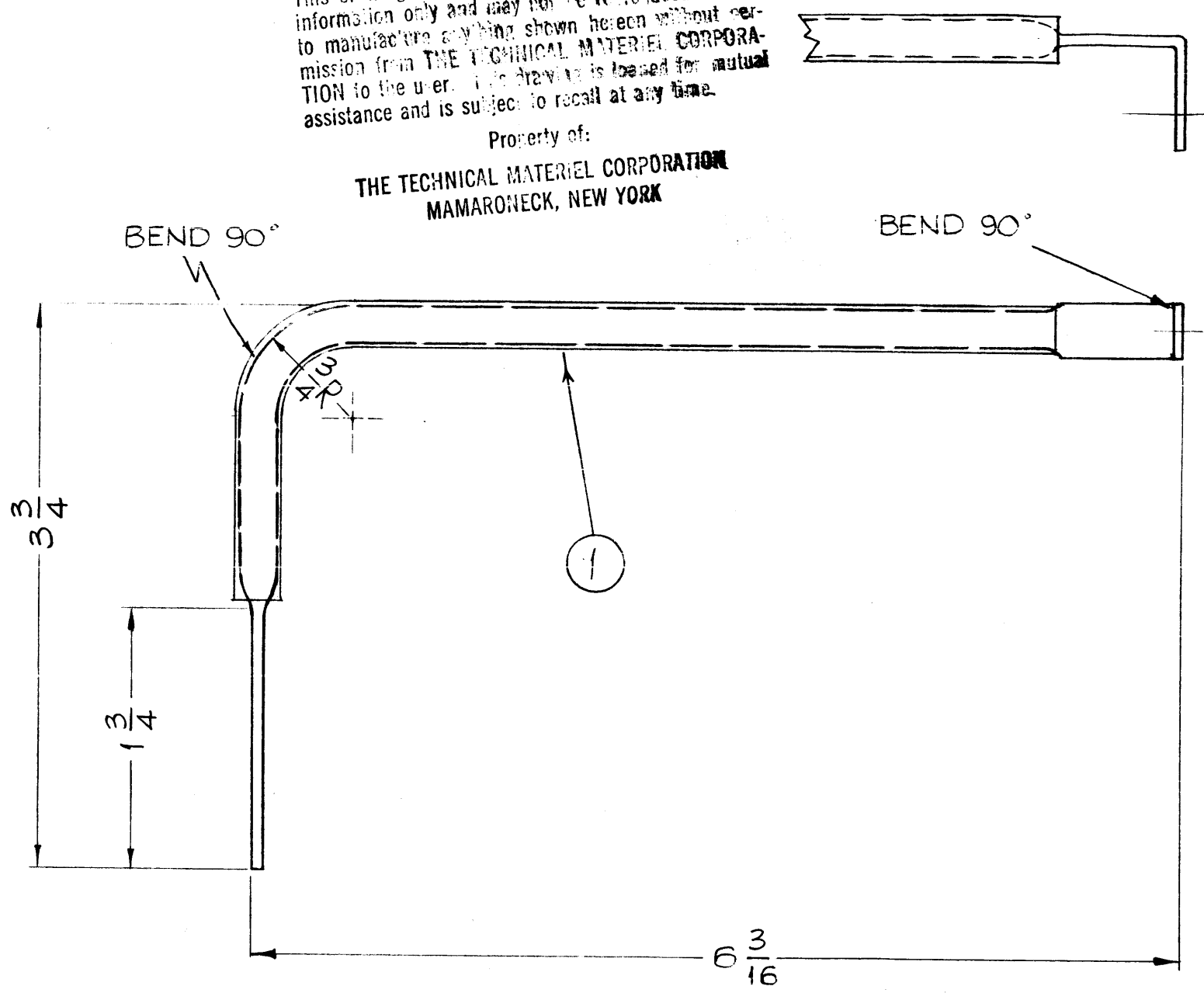


FP 180 D

HOLES ~
A ~ 1/4 DIA. 2REQ.

NOTICE TO PERSONS RECEIVING THIS DRAWING
THE TECHNICAL MATERIEL CORPORATION claims proprietary right in the material disclosed hereon. This drawing is issued in confidence for engineering information only and may not be reproduced or used to manufacture anything shown hereon without permission from THE TECHNICAL MATERIEL CORPORATION to the user. This drawing is loaned for mutual assistance and is subject to recall at any time.

Property of:
THE TECHNICAL MATERIEL CORPORATION
MAMARONECK, NEW YORK



D	PICT & DIMS REVISED	1-18-67	17606	RME	<i>[Signature]</i>	<i>[Signature]</i>
B	ADDED IT. 1 PX370-3-8 USED ON CHART & TITLE UPDATED	7-28-66	16646	RME	<i>[Signature]</i>	<i>[Signature]</i>
A	FINISH & SPEC. NO WAS GOLD PLATE .000025	11/6/61	5848	G.D.	<i>[Signature]</i>	<i>[Signature]</i>
ISSUE	ITEM	CHANGED FROM	DATE	CH. NO.	DRAFTS	CHECKER
TOLERANCES		SCALE: FULL ~ DO NOT SCALE ~				
DEC. DIM. ±		MAXIMUM ALLOWABLE TOLERANCES HAVE BEEN DETERMINED AND ANY DEVIATIONS WILL BE CAUSE FOR REJECTION.				
FRAC. DIM. ± 1/64		REMOVE ALL BURRS AND SHARP EDGES				
ANGULAR DIM. ±						

1	GPT-40K() 4	AS-125	AX-458	12-23-63
1	GPT-40K() 3	AS-120	AX-353	12-23-63
1	GPT40K	AX-209		7-6-60
REQ. PER UNIT	MODEL	SECTION	ASS'Y. NO.	DATE
USED ON				

7-4	1	PX 370-3-8	INSULATION, SLEEVING, TEFLON	
REQ. ITEM		PART NO.	DESCRIPTION	SYMBOL
		1/4 DIA.	THE TECHNICAL MATERIEL CORP.	
		STOCK SIZE	MAMARONECK, NEW YORK	
		COPPER TUBING	STRAP, CONNECTING, ROTOR -	
		MATERIAL	"L" SECTION	
			J.C. Biele	<i>[Signature]</i>
			<i>[Signature]</i>	<i>[Signature]</i>
			DRAWN	CHECKED
			FINAL APPROVAL	
		SILVER PLATE .0003		
		FINISH & SPEC. NO.	ELEC. DES. APP.	MECH. DES. APP.
FP 180 D				