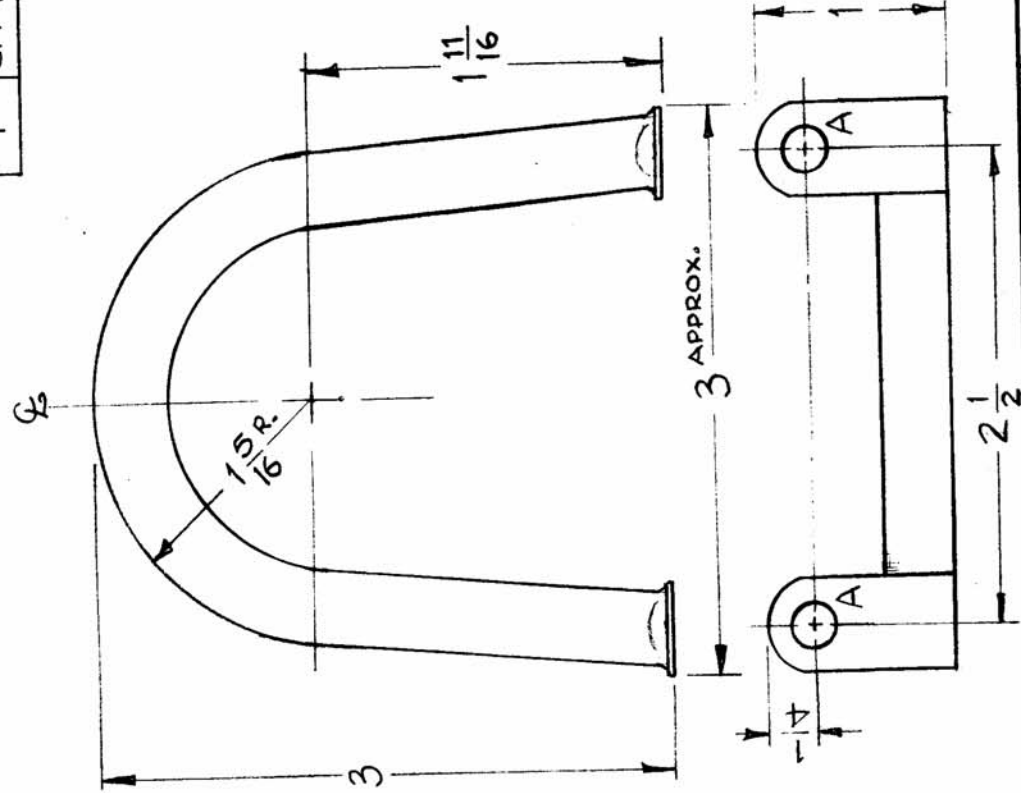


FP-175 B

REQ. UNIT	M DEL	ASST. NO.	DATE
1	GPT-40K() 3	CL-223	3-21-60
1	GPT-40K() 4	CL-223	12-23-63

HOLES REQ'D
A ~ 15/64 (.234) Dia 2



FINISH
S245 SILVER PLATE .0003 THK
S423 SILVER KOTE IRIDITE

REQ. ITEM	PART NO.	DESCRIPTION	SYMBOL
		THE TECHNICAL MATERIEL CORP. MAMARONECK, NEW YORK	
	3/8 O.D.	CL-223, MACHINING	
		COPPER	
		MATERIAL	
		TYPE & TEMPER	DRAWN
		HEAT TREAT. SPEC.	CHECKED
		SEE NOTE	FINAL APPR VAL
		FINISH & SPEC. NO.	FP-175 B

ISSUE ITEM	CHANGED FR M	DATE	CH. NO.	DRAFTS	CHECKER	ENG. APP.
B 1	DWG UPDATED	12/23/63	10642	[Signature]	[Signature]	[Signature]
A 1	FINISH W/RS GOLD PL. 000025	8-22-62	7101	[Signature]	[Signature]	[Signature]

TOLERANCES

SCALE:

MAXIMUM ALLOWABLE TOLERANCES HAVE BEEN DETERMINED AND ANY DEVIATIONS WILL BE CAUSE FOR REJECTION. REMOVE ALL BURRS AND SHARP EDGES

DEC. DIM. ±
FRAC. DIM. ±
ANGULAR DIM. ±