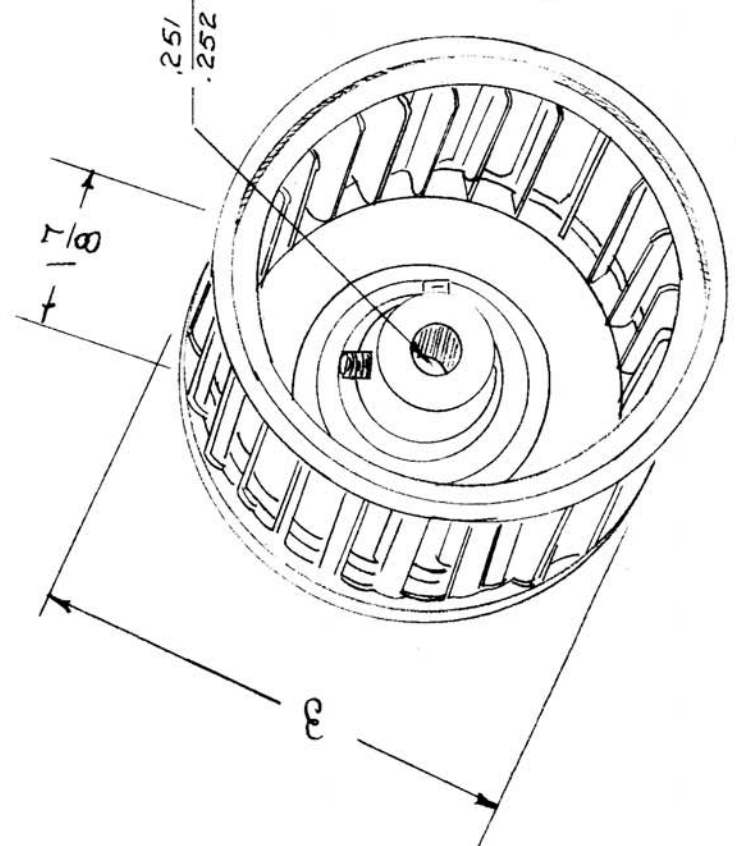


IF IT IS FOUND DESIRABLE TO CHANGE ANY TOLERANCE OR OTHER DETAIL SPECIFIED ON THIS DRAWING NOTIFY THE PURCHASER PROMPTLY.

MAXIMUM ALLOWABLE TOLERANCES HAVE BEEN DETERMINED AND DEVIATIONS WILL BE CAUSE FOR REJECTION. REMOVE ALL BURRS AND SHARP EDGES



HUB - STD. 2 STEEL ALLEN HEADS
CUP POINT SET SCREWS. 90° APART

24 BLADES

COUNTER-CLOCKWISE
CLOCKWISE

MATERIAL

A	ALUMINUM
S	STEEL

TYPE DESIGNATION TO BE IN FOLLOWING FORM.
FP-154-A-CW

TMC NO. / DIRECTION MATERIAL (SEE CHART)

REF: RIPLEY CO. INC. #3 BLOWER

FP-154 A

USED ON			
REQ. PER UNIT	MODEL	PROJECT NO.	ASSY. NO.
1	RTF		A-1095
1	CAB/FR		9-26-55
			9/26/55

ISSUE ITEM	CHANGED FROM	DATE	CN. NO.	DRAFTS CHECKER	ENG. APP.
A 1	DWG. NO. CLARIFIED	1-12-56	1	B	61P A.J.J.
TOLERANCES					
SCALE					

DEC. DIM. ±
FRAC. DIM. ±
ANGULAR DIM. ±

DRILL, PUNCH, COMMERCIAL STOCK SIZES AND MANUFACTURERS TOLERANCES ARE NOT INCLUDED.

REQ. ITEM	PART NO.	DESCRIPTION	SYMBOL
		THE TECHNICAL MATERIEL CORP. MAMARONECK. NEW YORK	
		WHEEL, LR-3 BLOWER	
		POW/AMP	
		COP. 9/26/55	
		DR. 1/11/56	
		MECH. DES. APP.	
		ELEC. DES. APP.	
		CHECKED	
		FINAL APPROVAL	
		FP-154	A