

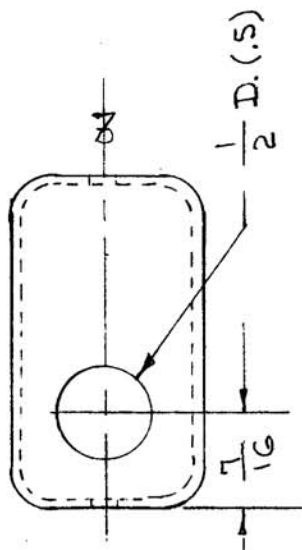
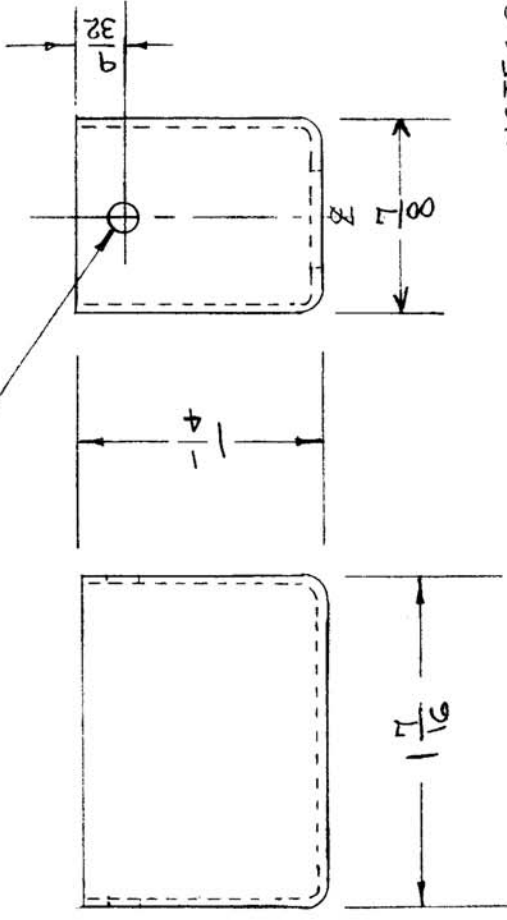
IF IT IS FOUND DESIRABLE TO CHANGE ANY TOLERANCE OR OTHER DETAIL SPECIFIED ON THIS DRAWING NOTIFY THE PURCHASER PROMPTLY.

MAXIMUM ALLOWABLE TOLERANCES HAVE BEEN DETERMINED AND DEVIATIONS WILL BE CAUSE FOR REJECTION. REMOVE ALL BURRS AND SHARP EDGES

FP-106 B

REQ PER UNIT	PROJECT NO.	USED ON
2	140	
MODEL	ASSY. NO.	DATE
DMKA	A-128	8-27-52

NO 26 (.147) DRILL. 2 HOLES REQ.



NOTE: CUT STOCK CAN TO REQUIRED SIZE

USE FP-127-1

REQ. ITEM	PART NO.	DESCRIPTION	SYMBOL
STOCK CAN		THE TECHNICAL MATERIEL CORP.	
STOCK SIZE		MAMARONECK, NEW YORK	
ALUMINUM	#	SHIELD, CAN	
MATERIAL	WEIGHT PER PC.		
#			
TYPE & TEMPER			
#			
HEAT TREAT. SPEC.			
S-404 IRIDITE			
FINISH & SPEC. NO.			

ISSUE ITEM	CHANGED FROM	DATE	CN. NO.	DRAFTSCHECKER	ENG. APP.
B 1	5404-IRIDITE WAS	12-7	1001	SP	EMN
A 1	5101-CAUSTIC DIP	5-9	1	WAB	WAB
	CAN WAS FP-108-3	7-19-52			
TOLERANCES					
SCALE FULL					
DRILL, PUNCH, COMMERCIAL STOCK SIZES AND MANUFACTURERS TOLERANCES ARE NOT INCLUDED.					
ALL OTHERS	DEC. DIM. \pm	FRAC. DIM. \pm	ANGULAR DIM. \pm		