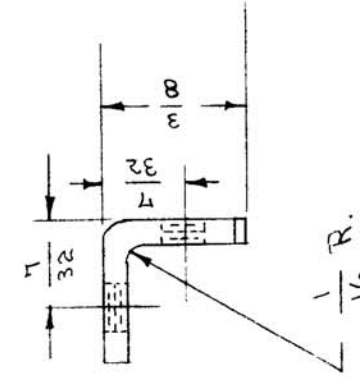


FP-101

|            |             |         |
|------------|-------------|---------|
| USED ON    |             |         |
| MODEL      | PROJECT NO. | DATE    |
| BAC-1-S-20 | 108         | 7/15/53 |

IF IT IS FOUND DESIRABLE TO CHANGE ANY TOLERANCE OR OTHER DETAIL SPECIFIED ON THIS DRAWING NOTIFY THE PURCHASER PROMPTLY.

MAXIMUM ALLOWABLE TOLERANCES HAVE BEEN DETERMINED AND DEVIATIONS WILL BE CAUSE FOR REJECTION. REMOVE ALL BURRS AND SHARP EDGES



-6-32 TAP NF2  
2 HOLES REQ'D.

NICK 2 CORNERS  $\frac{1}{8}$

|   |   |                                  |         |      |                    |
|---|---|----------------------------------|---------|------|--------------------|
| B | 1 | S404 IRIDITE WAS SLO GAUGED D.P. | 12-7    | 1001 | EMN                |
| A | 1 | NICK CORNERS ADDED               | 8/2/53  | 1    | C.D.D. AND 2/29/53 |
|   | 1 | REDRAWN, NO CHANGE               | 7/15/53 | —    | C.D.D. 8/2/53      |

|   |              |      |         |                |           |
|---|--------------|------|---------|----------------|-----------|
| ISSUE ITEM  | CHANGED FROM | DATE | CN. NO. | DRAFTS CHECKER | ENG. APP. |
|   |              |      |         | H              |           |
| TOLERANCES  |              |      |         |                |           |
| SCALE   |              |      |         |                |           |
| DRILL, PUNCH, COMMERCIAL STOCK SIZES AND MANUFACTURERS TOLERANCES ARE NOT INCLUDED. |              |      |         |                |           |

|           |                    |  |        |
|-----------|--------------------|--|--------|
| REQ. ITEM | PART NO.           | DESCRIPTION  | SYMBOL |
|           | 064                | THE TECHNICAL MATERIEL CORP.<br>MAMARONECK. NEW YORK | B      |
|           | ALUMINUM           | BRACKET  |        |
|           | MATERIAL           |  |        |
|           | 52S H 32           |  |        |
|           | TYPE & TEMPER      |  |        |
|           | H                  |  |        |
|           | HEAT TREAT. SPEC.  |  |        |
|           | S404 - IRIDITE     |  |        |
|           | FINISH & SPEC. NO. |  |        |
|           |                    | FINAL APPROVAL                                       | B      |