

IF IT IS FOUND DESIRABLE TO CHANGE ANY TOLERANCE OR OTHER DETAIL SPECIFIED ON THIS DRAWING NOTIFY THE PURCHASER PROMPTLY.

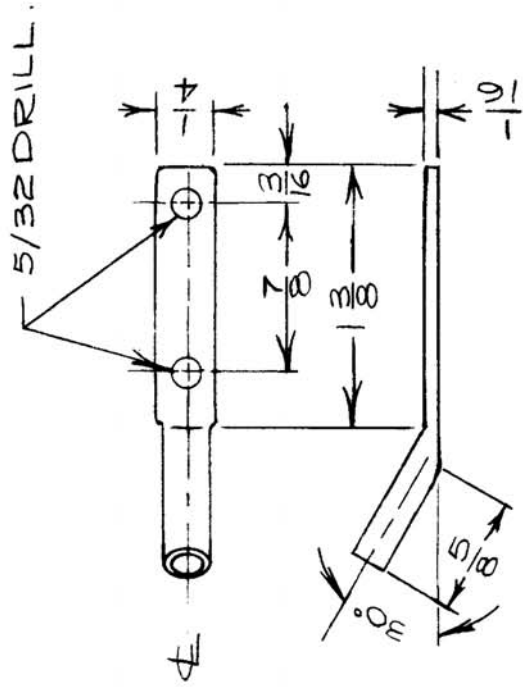
MAXIMUM ALLOWABLE TOLERANCES HAVE BEEN DETERMINED AND DEVIATIONS WILL BE CAUSE FOR REJECTION. REMOVE ALL BURRS AND SHARP EDGES

**NOTICE TO PERSONS RECEIVING THIS DRAWING**

THE TECHNICAL MATERIEL CORPORATION claims proprietary rights in the material disclosed herein. This drawing is issued in confidence for engineering purposes only and is not to be used or used in any way without the express written permission of THE TECHNICAL MATERIEL CORPORATION. This drawing is issued to you for your information only and is not to be used for any other purpose.

Property of:

THE TECHNICAL MATERIEL CORPORATION  
 333 MARONEC, NEW YORK



FR-10008

USED ON

PROJECT NO. ASSY. NO. DATE

6/14/60

CATU-1K CE5008

MODEL

PROJECT NO.

ASSY. NO.

DATE

REQ. ITEM	PART NO.	DESCRIPTION	SYMBOL
3/16 O.D. ± 1/8 I.D.		TMC (Canada) LIMITED OTTAWA ONTARIO	
COPPER TUBING.	STOCK SIZE	TERMINAL LUG	
MATERIAL	WEIGHT PER PC.		
	TYPE & TEMPER	UPC	
		DRAWN	ELEC. DES. APP. MECH. DES. APP.
		CHECKED	FINAL APPROVAL
	HEAT TREAT. SPEC.		
	SILVER PLATED		
	FINISH & SPEC. NO.		FR-10008

ISSUE ITEM	CHANGED FROM	DATE	CN. NO.	DRAFTS	CHECKER	ENG. APP.
TOLERANCES						
SCALE 1 : 1						
DIMENSIONS IN INCHES UNLESS OTHERWISE SPECIFIED						
DRILL, PUNCH, COMMERCIAL STOCK SIZES AND MANUFACTURERS TOLERANCES ARE NOT INCLUDED.						
ALL OTHERS	DEC. DIM. ±	FRAC. DIM. ±	ANGULAR DIM. ±			
		1/64				