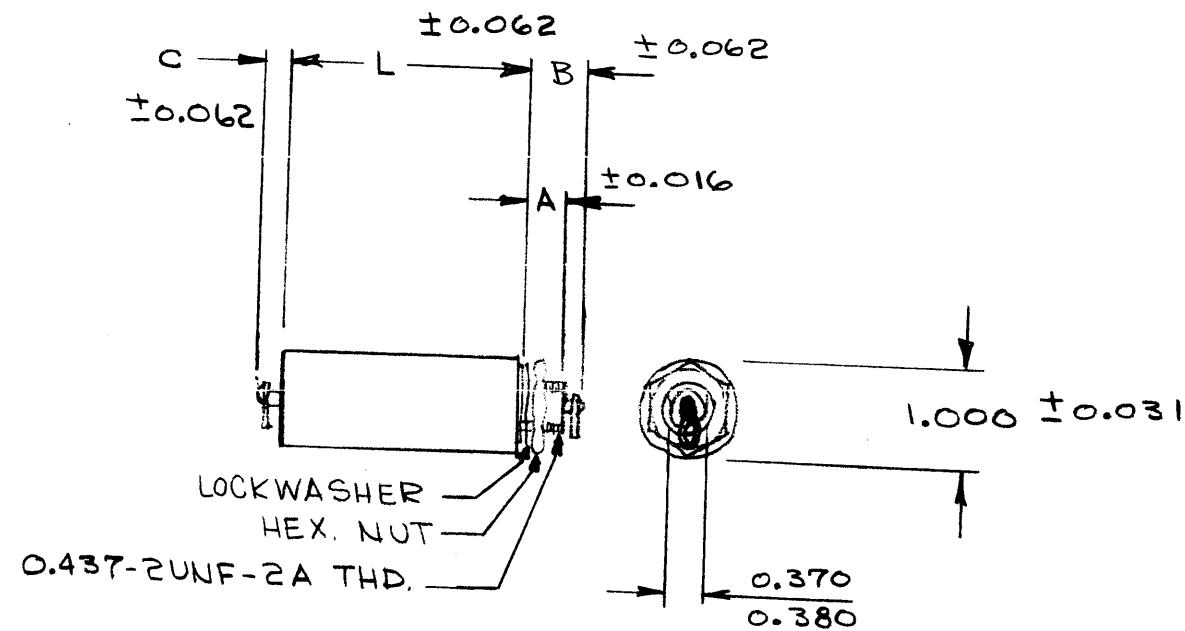


TMC PART No.	MFG PART No	CUTOFF FREQ IN KC	IMPEDANCE IN OHMS	CIRCUIT	L	W	A	B	C
FI103-1	JW17-690	20	300	SINGLE	2.250	#	.438	.703	.188

Q
FI103

REVISIONS						
SYM	DESCRIPTION	DATE	E.M.N. NO.	DRAFT	CHKD	APPD
X	EXPERIMENTAL RELEASE	6/9/64	X	A.M.		
Ø	ORIGINAL RELEASE FOR PRODUCTION	9.1.64	+	WB		

ALL DIMENSIONS IN INCHES



OPERATING TEMP: 85°C
 INSERTION LOSS: LESS THAN .5db IN PASS BAND
 CURRENT RATING: 1AMP
 CASE: METAL HERMETICALLY SEALED.
 ATTENUATION IN DB
 15 KC 150 KC UP
 MIN. TYPICAL
 ZERO >60

HARDWARE SUPPLIED BY MFG.

REQ'D.	ITEM	PART NUMBER	DESCRIPTION	SYMBOL
EATON LIST OF MATERIAL				
MATERIAL		THE TECHNICAL MATERIEL CORP. MAMARONECK, NEW YORK		
FINISH		TITLE FILTER, RADIO INTERFERENCE		
UNLESS OTHERWISE SPECIFIED DIMENSIONS ARE IN INCHES AND INCLUDE CHEMICALLY APPLIED OR PLATED FINISHES		DRAWN A. MARINO	DATE 6/9/64	FINAL APPROVAL [Signature]
		CHECKED @	DATE 9/1/64	DATE
DECIMALS .X ± .05 .XX ± .01 .XXX ± .005		ELECT. DES. [Signature]		FI103
FRACTIONS ± 1/64 ANGLES ± 0° 30'		MECH. DES.		
TOLERANCES		DATE		REV. LTR.
		SHEET		

ARCA-1		
Q'TY./UNIT	MODEL USED ON	ASS'Y. NO.
SCALE	CODE	
	C	S401-49

NOTES

THE CONTENTS OF THIS DRAWING ARE THE EXCLUSIVE PROPERTY OF THE TECHNICAL MATERIEL CORP. ITS UNAUTHORIZED USE OR REPRODUCTION IN WHOLE OR IN PART IS STRICTLY FORBIDDEN.

STANDARD DRAWING

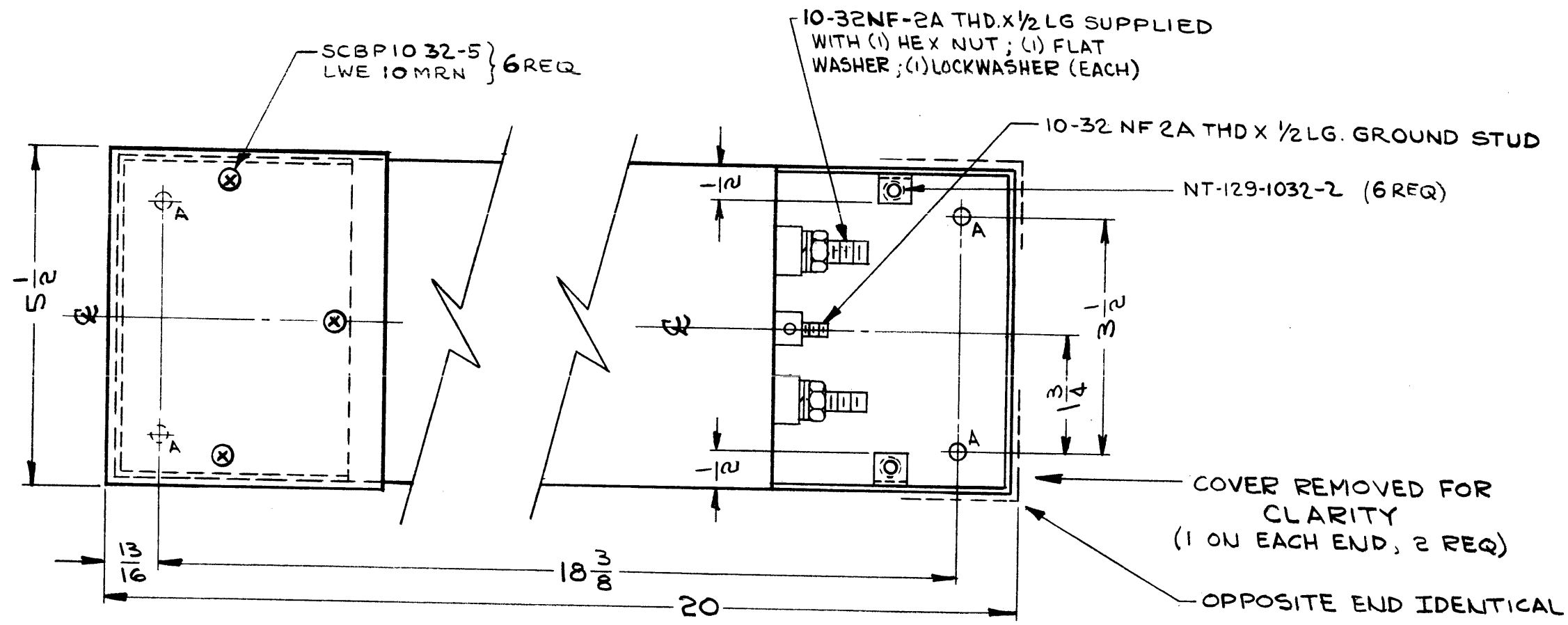
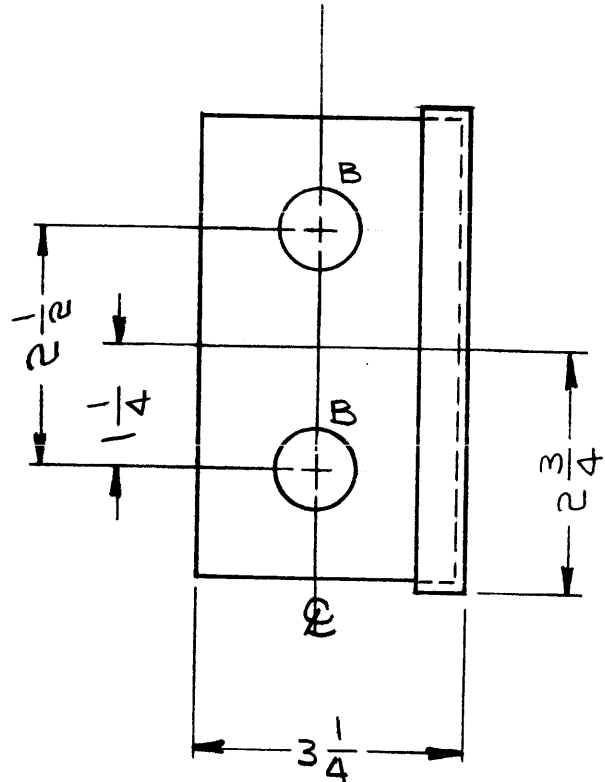
~ SPECIFICATIONS ~

MIN-70 db @ 5000 CPS TO 50MC
 22 Ω IMPEDANCE MIN.
 CURRENT CAP MIN 5 AMPS IN EACH
 SECTION. VOLTAGE 115/230
 POWER FREQ. 400 CPS

FI104 B

REVISIONS					
SYM	DESCRIPTION	DATE	E.M.N. NO.	DRAFT	CHKD APPD
X	EXPER RELEASE	7-14-64	X		
Q	ORIGINAL RELEASE FOR PRODUCTION	7-14-64	Q		
A	SPECS. REVISED (3 SCREWS W/L. WASHER & 2NT, ADD)	8.4.64	12065		
B	HARDWARE REVISED (WAS 6-32)	11.9.64	12877		

~ OPPOSITE SIDE IDENTICAL ~



HOLE	DESCRIPTION	REQ.
A	13/64 DIA.	4
B	13/16 DIA	4

1	RAK-43	A 3730
Q'TY./UNIT	MODEL USED ON	ASS'Y. NO.
SCALE 1:2	CODE C	S401-304

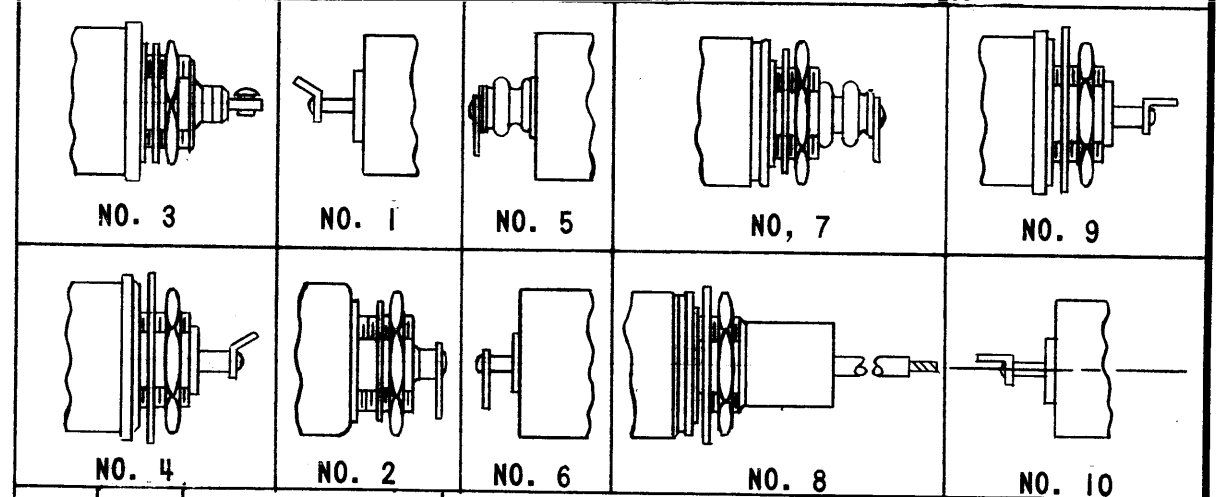
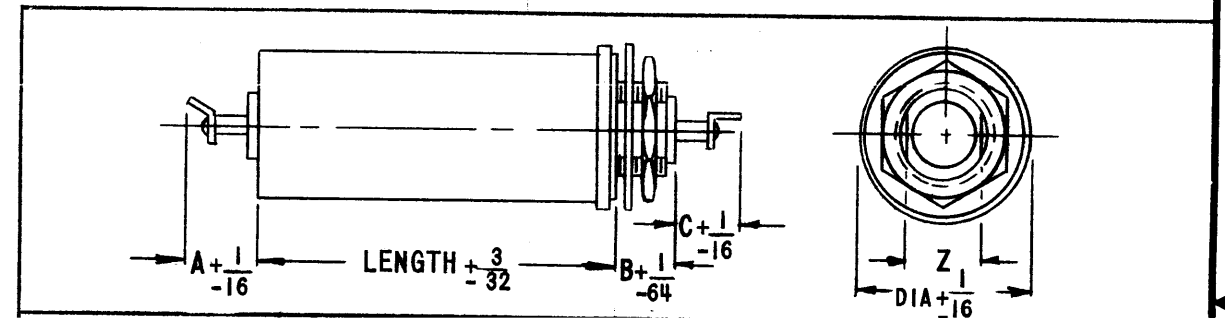
NOTES

THE CONTENTS OF THIS DRAWING ARE THE EXCLUSIVE PROPERTY OF THE TECHNICAL MATERIEL CORP. ITS UNAUTHORIZED USE OR REPRODUCTION IN WHOLE OR IN PART IS STRICTLY FORBIDDEN.

REQ'D.	ITEM	PART NUMBER	DESCRIPTION	SYMBOL
M. GELLMAN LIST OF MATERIAL				
MATERIAL		20 GA. C.R. STEEL		
FINISH		HOT TIN		
UNLESS OTHERWISE SPECIFIED DIMENSIONS ARE IN INCHES AND INCLUDE CHEMICALLY APPLIED OR PLATED FINISHES		THE TECHNICAL MATERIEL CORP. MAMARONECK, NEW YORK		
TITLE		FILTER, RADIO INTERFERENCE		
DRAWN	DATE	FINAL APPROVAL	DATE	
G. Jensen	7-14-64	[Signature]		
CHECKED	DATE			
@	7-14-64			
ELECT. DES.	DATE			
[Signature]	7-14-64			
MECH. DES.	DATE			
[Signature]	7-14-64			
SHEET				REV. LTR.
FI104				B

TMC PART NUMBER		FI105-1	FI105-2
MFR PART NUMBER		IJX130	5JX100
CURRENT	AMP	1.0	5.0
VOLTAGE RATING	DC	600	600
	AC @ FREQ	250 @60 CY	250 @60 CY
MAX AMBIENT TEMP		125°C	125°C
MAX ALTITUDE (FT.)		50K	30K
CIRCUIT NO.		NO. 3	NO. 3
TYPICAL INSERTION LOSS IN DECIBELS	.15 Mc	69	65
	.5 Mc	119	97
	1.0 Mc	106	116
	10 Mc	88	116
	100 Mc	> 120	> 112
	400 Mc	> 112	> 98
BODY SIZE	LENGHT	2-11/16	3-7/16
	DIA	1	1-1/4
TERMINALS	LEFT	NO. 6	NO. 6
	RIGHT	NO. 2	NO. 2
THREAD SIZE		7/16-20	7/16-20
TERMINAL DIMENSIONS	Z	.370-.380	.370-.380
	A	7/32	7/32
	B	7/16	7/16
	C	17/64	1/4
MAX DC OHMS		0.50	0.035

REVISIONS						
ZONE	LTR	DESCRIPTION	DATE	E.M.N.NO	DRAFT	CHKD APPD
	X	EXPERIMENTAL RELEASE	3/28/68		C.V.	
	Ø	ORIG. RELEASE FOR PROD	11/5/68	Ø	R.G.	

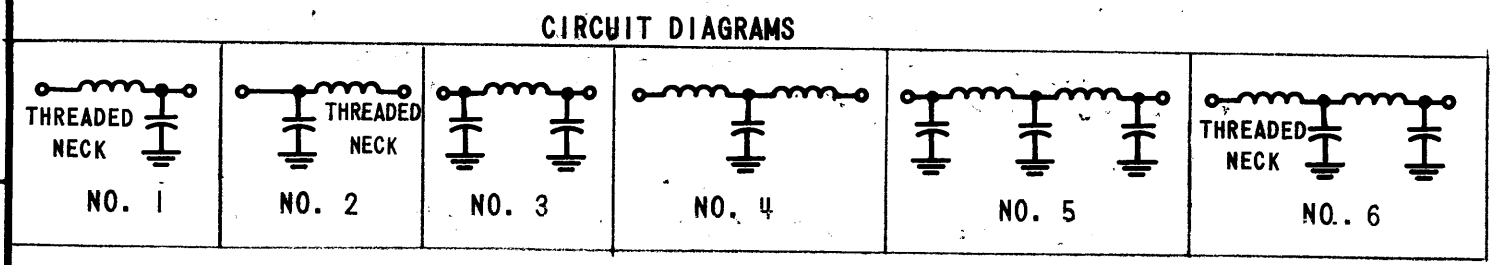


REQ'D	ITEM	PART NUMBER	DESCRIPTION	SYM.
-------	------	-------------	-------------	------

LIST OF MATERIAL
THE TECHNICAL MATERIEL CORP.
 MAMARONECK, NEW YORK

FILTER, INTERFERENCE, RF

DATE	11-5-68
DATE	3/28/68
DATE	3-7-68
SIZE	B
CODE IDENT. NO.	82679
DWG NO.	FI 105
ISSUE	Ø
SCALE	NONE
SHEET	OF



QTY / UNIT	MODEL USED ON	ASS'Y NO.
APPLICATION		
CODE	S401-49	
C		
NOTICE TO PERSONS RECEIVING THIS DRAWING THE TECHNICAL MATERIEL CORPORATION claims proprietary right in the material disclosed hereon. This drawing is issued in confidence for engineering information only and may not be reproduced or used to manufacture anything shown hereon without permission from THE TECHNICAL MATERIEL CORPORATION to the user. This drawing is loaned for mutual assistance and is subject to recall at any time.		

UNLESS OTHERWISE SPECIFIED DIMENSIONS ARE IN INCHES AND INCLUDE CHEMICALLY APPLIED OR PLATED FINISHES	APPROVAL	DATE
DECIMALS .X ± .05 .XX ± .01 .XXX ± .005	MECH. DES.	DATE
FRACTIONS 1/64 ANGLES 0°-30'	ELECT. DES.	DATE
MATERIAL	CHECKED	DATE
FINISH	DRAWN	DATE