

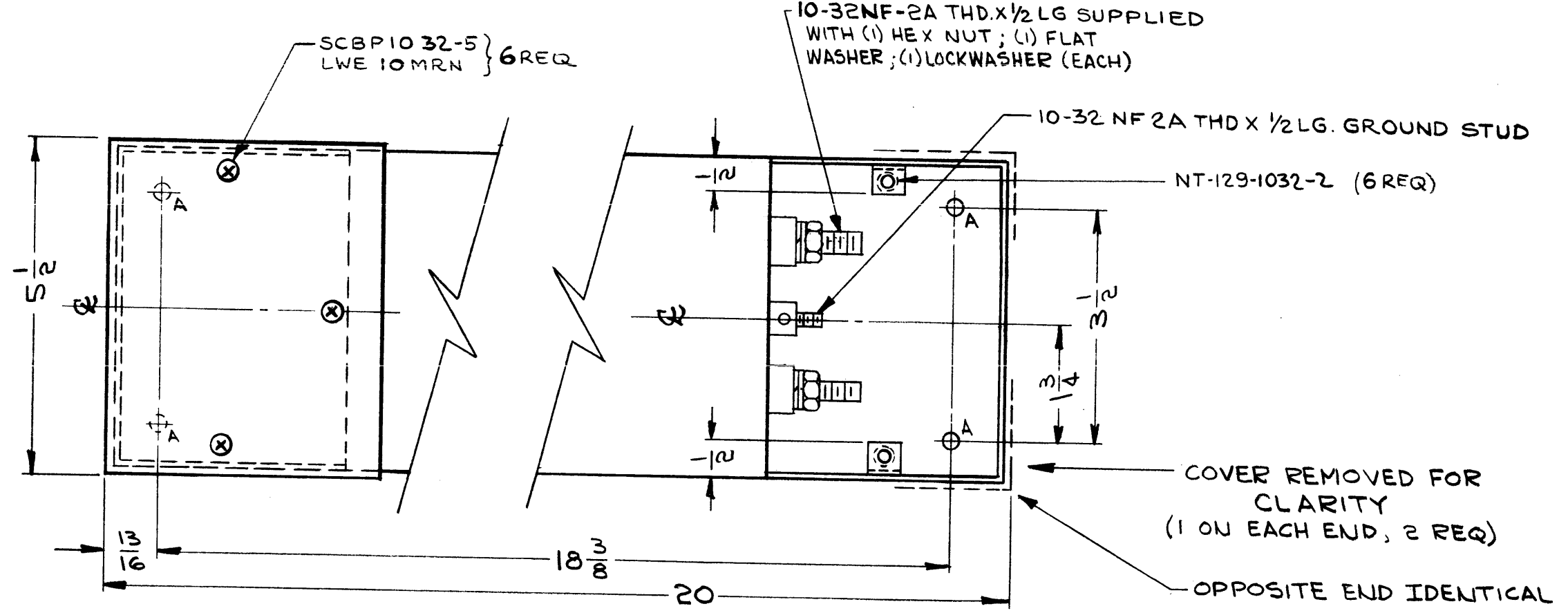
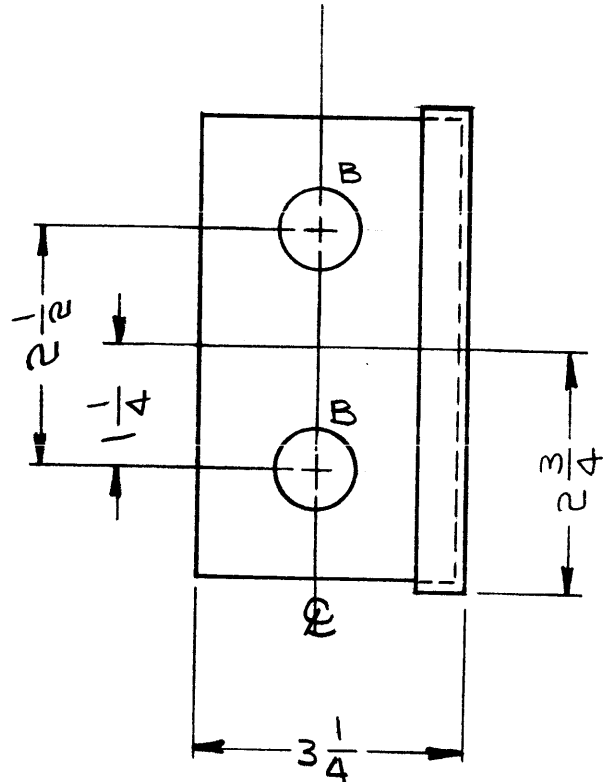
~ SPECIFICATIONS ~

MIN-70 db @ 5000 CPS TO 50MC
 22 Ω IMPEDANCE MIN.
 CURRENT CAP MIN 5 AMPS IN EACH
 SECTION. VOLTAGE 115/230
 POWER FREQ. 400 CPS

FI104 B

REVISIONS					
SYM	DESCRIPTION	DATE	E.M.N. NO.	DRAFT	CHKD APPD
X	EXPER RELEASE	7-14-64	X		
Q	ORIGINAL RELEASE FOR PRODUCTION	7-14-64	Q		
A	SPECS. REVISED (3 SCREWS W/L. WASHER & 2NT, ADD)	8.4.64	12065		
B	HARDWARE REVISED (WAS 6-32)	11.9.64	12877		

~ OPPOSITE SIDE IDENTICAL ~



HOLE	DESCRIPTION	REQ.
A	13/64 DIA.	4
B	13/16 DIA	4

1	RAK-43	A 3730
Q'TY./UNIT	MODEL USED ON	ASS'Y. NO.
SCALE 1:2	CODE C	S401-304

NOTES

THE CONTENTS OF THIS DRAWING ARE THE EXCLUSIVE PROPERTY OF THE TECHNICAL MATERIEL CORP. ITS UNAUTHORIZED USE OR REPRODUCTION IN WHOLE OR IN PART IS STRICTLY FORBIDDEN.

REQ'D.	ITEM	PART NUMBER	DESCRIPTION	SYMBOL
M. GELLMAN LIST OF MATERIAL				
MATERIAL		20 GA. C.R. STEEL		
FINISH		HOT TIN		
UNLESS OTHERWISE SPECIFIED DIMENSIONS ARE IN INCHES AND INCLUDE CHEMICALLY APPLIED OR PLATED FINISHES		THE TECHNICAL MATERIEL CORP. MAMARONECK, NEW YORK		
TITLE		FILTER, RADIO INTERFERENCE		
DRAWN	DATE	FINAL APPROVAL	DATE	
G. Jensen	7-14-64	[Signature]		
CHECKED	DATE			
@	7-14-64			
ELECT. DES.	DATE			
[Signature]	7-14-64			
MECH. DES.	DATE			
[Signature]	7-14-64			
SHEET		REV. LTR.		
FI104		B		