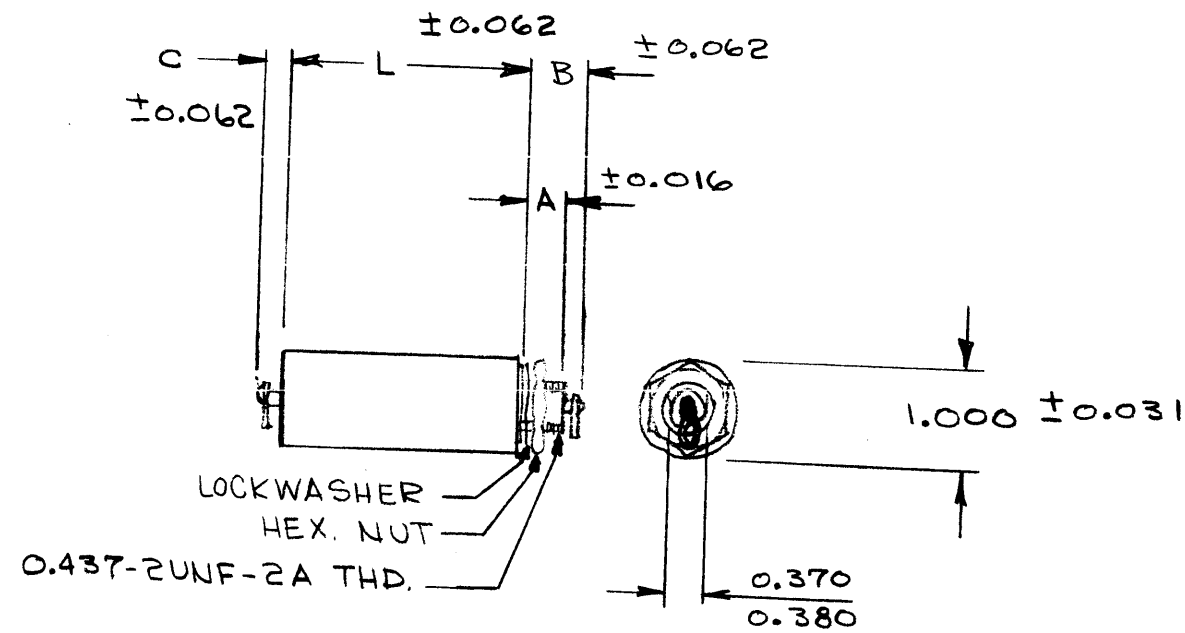


TMC PART No.	MFG PART No	CUTOFF FREQ IN KC	IMPEDANCE IN OHMS	CIRCUIT	L	W	A	B	C
FI103-1	JW17-690	20	300	SINGLE	2.250	#	.438	.703	.188

REVISIONS						
SYM	DESCRIPTION	DATE	E.M.N. NO.	DRAFT	CHKD	APPD
X	EXPERIMENTAL RELEASE	6/9/64	X	A.M.		
Ø	ORIGINAL RELEASE FOR PRODUCTION	9.1.64	+	WB		

FI103

ALL DIMENSIONS IN INCHES



OPERATING TEMP: 85°C
 INSERTION LOSS: LESS THAN .5db IN PASS BAND
 CURRENT RATING: 1AMP
 CASE: METAL HERMETICALLY SEALED.
 ATTENUATION IN DB
 15 KC 150 KC UP
 MIN. TYPICAL
 ZERO >60

HARDWARE SUPPLIED BY MFG.

REQ'D.	ITEM	PART NUMBER	DESCRIPTION	SYMBOL
EATON LIST OF MATERIAL				
MATERIAL		THE TECHNICAL MATERIEL CORP. MAMARONECK, NEW YORK		
FINISH		TITLE FILTER, RADIO INTERFERENCE		
UNLESS OTHERWISE SPECIFIED DIMENSIONS ARE IN INCHES AND INCLUDE CHEMICALLY APPLIED OR PLATED FINISHES		DRAWN A. MARINO	DATE 6/9/64	FINAL APPROVAL [Signature]
		CHECKED @	DATE 9/1/64	DATE
DECIMALS .X ± .05 .XX ± .01 .XXX ± .005		ELECT. DES. [Signature]		FI103
FRACTIONS ± 1/64 ANGLES ± 0° 30'		MECH. DES.		
TOLERANCES		DATE		REV. LTR.
		SHEET		

ARCA-1		
Q'TY./UNIT	MODEL USED ON	ASS'Y. NO.
SCALE	CODE	
	C	S401-49

NOTES

THE CONTENTS OF THIS DRAWING ARE THE EXCLUSIVE PROPERTY OF THE TECHNICAL MATERIEL CORP. ITS UNAUTHORIZED USE OR REPRODUCTION IN WHOLE OR IN PART IS STRICTLY FORBIDDEN.

STANDARD DRAWING