

STANDARD DRAWING

FH 104

THE CONTENTS OF THIS DRAWING ARE THE EXCLUSIVE PROPERTY OF THE TECHNICAL MATERIEL CORP. ITS UNAUTHORIZED USE OR REPRODUCTION IN WHOLE OR IN PART IS STRICTLY FORBIDDEN.

TMC No.	MFG. No.	ACCOMMODATES FUSE SIZE (Inches)	VOLTAGE	MAXIMUM CURRENT CARRYING CAPACITY (Amps)	LAMP TYPE	LAMP RESISTOR <small>OHMS ±10%</small>	KNOB TYPE	KNOB COLOR (Transparent)	BODY COLOR *
FH 104-1Δ	HJL	1/4 X 1	90 to 250	NOTE 2	Neon	220K	Octagon	Clear	Black
FH 104-2Δ	HKL	1/4 X 1-1/4	90 to 250	NOTE 2	Neon	220K	Octagon	Clear	Black
FH 104-3	HKL-X	1/4 X 1-1/4	90 to 250	NOTE 2	Neon	220K	Flat Sided	Clear	Black
FH 104-4Δ	HKR	1/4 X 1-1/4	22 to 33	20	Incandescent	330	Octagon	Amber	
FH 104-5Δ	HKT	1/4 X 1-1/4	13 to 22	20	Incandescent	None	Octagon	Amber	
FH 104-6Δ	HKU	1/4 X 1-1/4	4 to 6	20	Incandescent	15	Octagon	Red *	
FH 104-7Δ	HKY	1/4 X 1-1/4	22 to 33	20	Incandescent	330	Flat Sided	Amber	
FH 104-8	HKJ	1/4 X 1-1/4	4 to 6	20	Incandescent	15	Flat Sided	Red *	
FH 104-9	HKB	1/4 X 1-1/4	6.4 to 13	20	Incandescent	40	Flat Sided	Red *	
FH 104-10	HKI	1/4 X 1-1/4	13 to 22 †	20	Incandescent	None	Flat Sided	Amber	
FH 104-11	HKT	1/4 X 1-1/4	22 to 33 †	20	Incandescent	330	Flat Sided	Amber	
FH 104-12	HKC	1/4 X 1-1/4	33 to 45 †	20	Incandescent	680	Flat Sided	Amber	
FH 104-13	HKD	1/4 X 1-1/4	45 to 60 †	20	Incandescent	1200	Flat Sided	Amber	
FH 104-14	HKE	1/4 X 1-1/4	60 to 80 †	20	Incandescent	1800	Flat Sided	Amber	
FH 104-15	HKE	1/4 X 1-1/4	80 to 90 †	20	Incandescent	2250	Flat Sided	Amber	BLACK

Δ DC NOT USE FOR NEW DESIGN † STAMP VOLTAGE ON SIDE OF KNOB * TRANSLUCENT

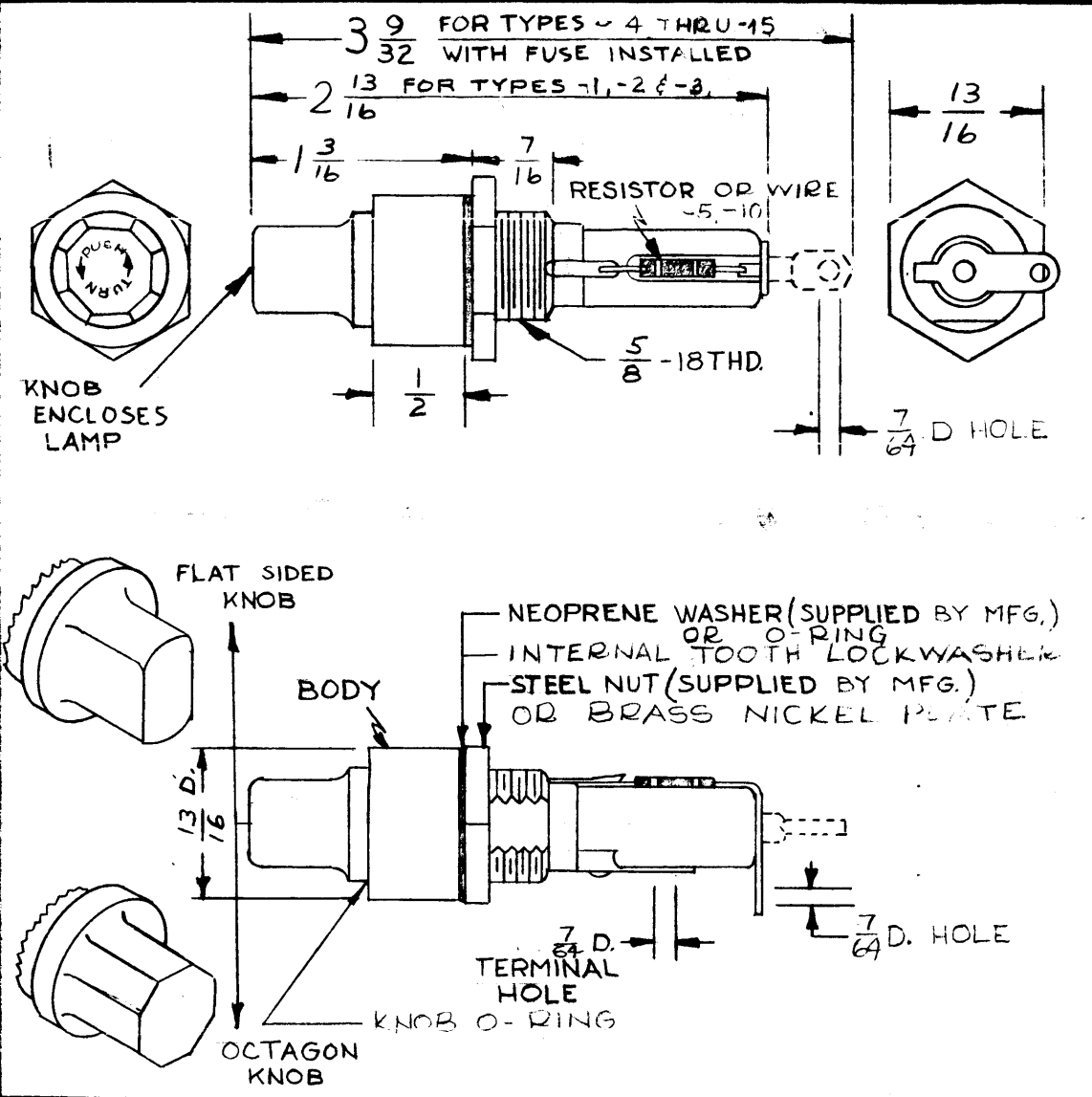
* BROWN BODY COLOR ACCEPTABLE ONLY UNTIL EXISTING STOCK IS DEPLETED

NOTE NO. 1

BODY MATERIAL IS MOLDED PHENOLIC. ALL MACHINED SURFACES COATED WITH FUNGUS RESISTANT VARNISH

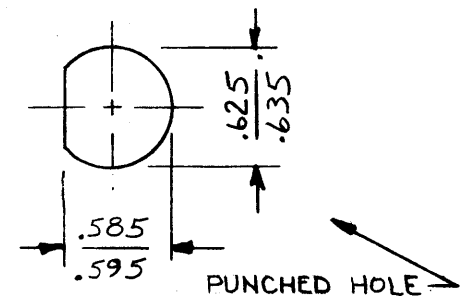
NOTE NO. 2

FH104-1 THROUGH -3 ARE RATED TO CARRY 20 AMP BUT MAY BE MARKED 15A IN ORDER TO CONFORM WITH U.L.



NOTE 3: 5/8 DIA. ROUND HOLE MAY BE DRILLED WHEN LOCKWASHER IS USED.

MOUNTING DETAIL



H	ON FH 104-4 TO FH 104-15 COLOR BLACK WAS BROWN. NOTE # ADDED	12/27/68	19136	K4	HJO	GP	JDe
G	± 20% ADDED TO "LAMP RES"	10/24/66	17083	L40	82	82	
F	DIRECTION OF ARROWS ON KNOB REVERSED	6-17-66	16403	M2	90B	90	
E	SPECS. ON DIM & HRDWARE REV. 7/64 HOLE WAS .110. NOTE 1 & 2 ADDED. VOLTAGE -1, -2, -3 WAS 90 to 300 COLOR ON -6, -8, & 9 WAS RED	3-11-66	15944	W40	90A	90A	
D	MAXIMUM CURRENT WAS MINIMUM (ON CHART)	6-21-65	14291	D.V.V.	90B	90	
C	L'WASHER REF. NOTE DELETED DEL. DRILLED HOLE & L'WASHER NOTE NOTE ADDED TO MOUNTING DETAIL	9/26/63	10078	10	JNY	JAS	
B	REDRAWN & REVISED	2-1-62	#	G.S.	JDe		
SYM	DESCRIPTION	DATE	CH. NO.	DRAFTS	CHECKER	ENG. APP.	
UNLESS OTHERWISE SPECIFIED:		SCALE: S401-222					
DIMENSIONS ARE IN INCHES		MAXIMUM ALLOWABLE TOLERANCES HAVE BEEN DETERMINED AND ANY DEVIATIONS WILL BE CAUSE FOR REJECTION.					
TOLERANCES ON FRACTIONS ± 1/64 DECIMALS ± .005 ANGLES ± 1/2		REMOVE ALL BURRS AND SHARP EDGES					
REQ. PER UNIT	MODEL	SECTION	ASS'Y. NO.	DATE	USED ON		

REQ. ITEM	PART NO.	DESCRIPTION	SYMBOL
THE TECHNICAL MATERIEL CORP.			
MAMARONECK, NEW YORK			
HOLDER, FUSE, LAMP INDICATING.			
MATERIAL			
G.SENCEN		JDe	82
TYPE & TEMPER		HEAT TREAT. SPEC.	DRAWN CHECKED FINAL APPROVAL
FINISH & SPEC. NO.		ELEC. DES. APP.	MECH. DES. APP.
		FH 104	