

STANDARD DRAWING

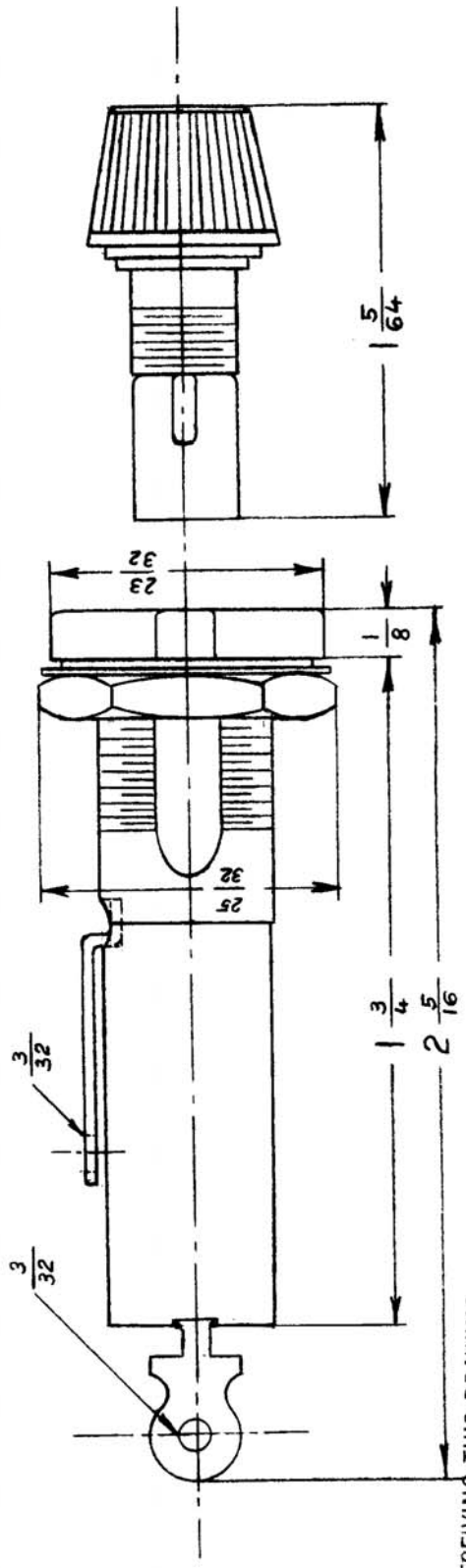
FH-10001

IF IT IS FOUND DESIRABLE TO CHANGE ANY TOLERANCE OR OTHER DETAIL SPECIFIED ON THIS DRAWING NOTIFY THE PURCHASER PROMPTLY.

MAXIMUM ALLOWABLE TOLERANCES HAVE BEEN DETERMINED AND DEVIATIONS WILL BE CAUSE FOR REJECTION. REMOVE ALL BURRS AND SHARP EDGES

TMC PART NO.	MFR NO.
FH-10001-1	342 001

MODEL	PROJECT NO.	ASS'Y. NO.	DATE
			FEB 18/60



NOTICE TO PERSONS RECEIVING THIS DRAWING

THE TECHNICAL MATERIEL CORPORATION claims proprietary right in the material disclosed hereon. This drawing is issued in confidence for engineering information only and may not be reproduced or used in manufacture anything shown hereon without permission from THE TECHNICAL MATERIEL CORPORATION to the user. This drawing is loaned for mutual assistance and is subject to recall at any time.

Property of:
THE TECHNICAL MATERIEL CORPORATION
MAMARONECK, NEW YORK

LITTELFUSE, INC.

REQ. ITEM	PART NO.	DESCRIPTION	SYMBOL								
		TMC (Canada) LIMITED OTTAWA ONTARIO									
		HOLDER, FUSE									
STOCK SIZE											
MATERIAL											
TYPE & TEMPER											
HEAT TREAT. SPEC.											
FINISH & SPEC. NO.											
ISSUE	ITEM	CHANGED FROM	DATE								
<table border="1"> <tr> <td>CN. NO.</td> <td>DRAFTS</td> <td>CHECKER</td> <td>ENG. APP.</td> </tr> <tr> <td></td> <td></td> <td></td> <td></td> </tr> </table>				CN. NO.	DRAFTS	CHECKER	ENG. APP.				
CN. NO.	DRAFTS	CHECKER	ENG. APP.								
<table border="1"> <tr> <td>DEC. DIM. ±</td> <td>—</td> </tr> <tr> <td>FRAC. DIM. ±</td> <td>—</td> </tr> <tr> <td>ANGULAR DIM. ±</td> <td>—</td> </tr> </table>				DEC. DIM. ±	—	FRAC. DIM. ±	—	ANGULAR DIM. ±	—		
DEC. DIM. ±	—										
FRAC. DIM. ±	—										
ANGULAR DIM. ±	—										
<table border="1"> <tr> <td>SCALE</td> <td>2:1</td> </tr> <tr> <td colspan="2">DIMENSIONS IN INCHES UNLESS OTHERWISE SPECIFIED</td> </tr> <tr> <td colspan="2">DRILL, PUNCH, COMMERCIAL STOCK SIZES AND MANUFACTURERS TOLERANCES ARE NOT INCLUDED.</td> </tr> </table>				SCALE	2:1	DIMENSIONS IN INCHES UNLESS OTHERWISE SPECIFIED		DRILL, PUNCH, COMMERCIAL STOCK SIZES AND MANUFACTURERS TOLERANCES ARE NOT INCLUDED.			
SCALE	2:1										
DIMENSIONS IN INCHES UNLESS OTHERWISE SPECIFIED											
DRILL, PUNCH, COMMERCIAL STOCK SIZES AND MANUFACTURERS TOLERANCES ARE NOT INCLUDED.											
DRAWN		ELEC. DES. APP.	MECH. DES. APP.								
M K											
CHECKED		FINAL APPROVAL									
J.P.C. JF		18-01									
		FH-10001									