

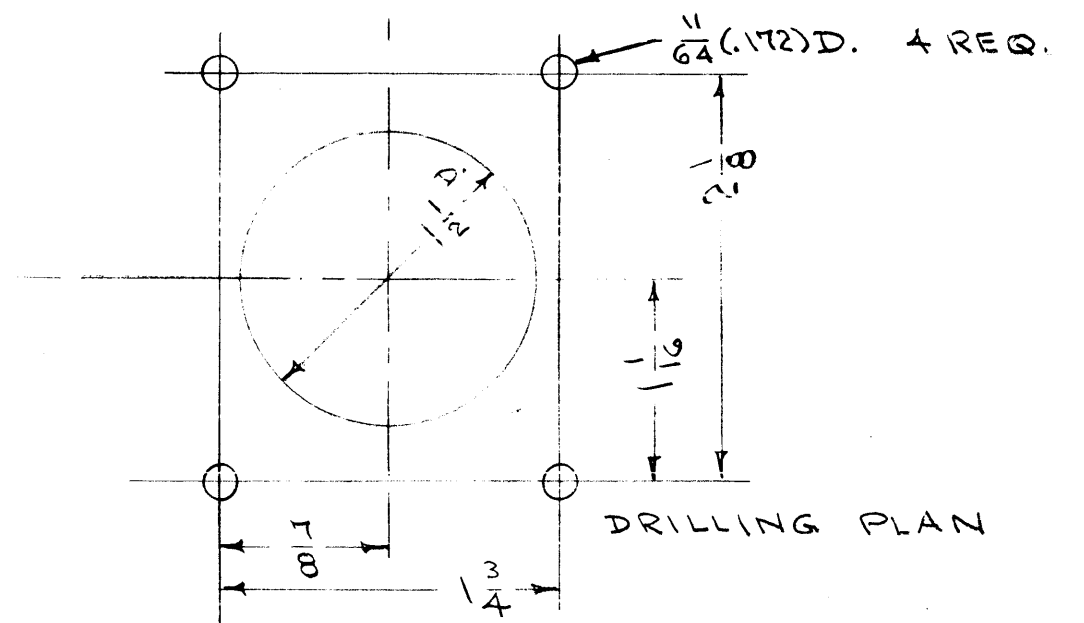
IF IT IS FOUND DESIRABLE TO CHANGE ANY TOLERANCE OR OTHER DETAIL SPECIFIED ON THIS DRAWING NOTIFY THE PURCHASER PROMPTLY.

MAXIMUM ALLOWABLE TOLERANCES HAVE BEEN DETERMINED AND DEVIATIONS WILL BE CAUSE FOR REJECTION. REMOVE ALL BURRS AND SHARP EDGES

ELECTRICAL SPECIFICATIONS:
 DISCRIMINATOR UNIT IS CENTERED ON FREQ. DENOTED BY SUFFIX.
 UNDER STANDARD DESIGN CONDITIONS (S-207) OUTPUT VOLTAGE SHALL BE NO LESS THAN -1.1V FOR A DEVIATION OF +40 CPS FROM FREQ.
 FOR A DEVIATION OF -40 CPS FROM FREQ. THE DC OUTPUT VOLTAGE SHALL BE NO MORE THAN -1 V.

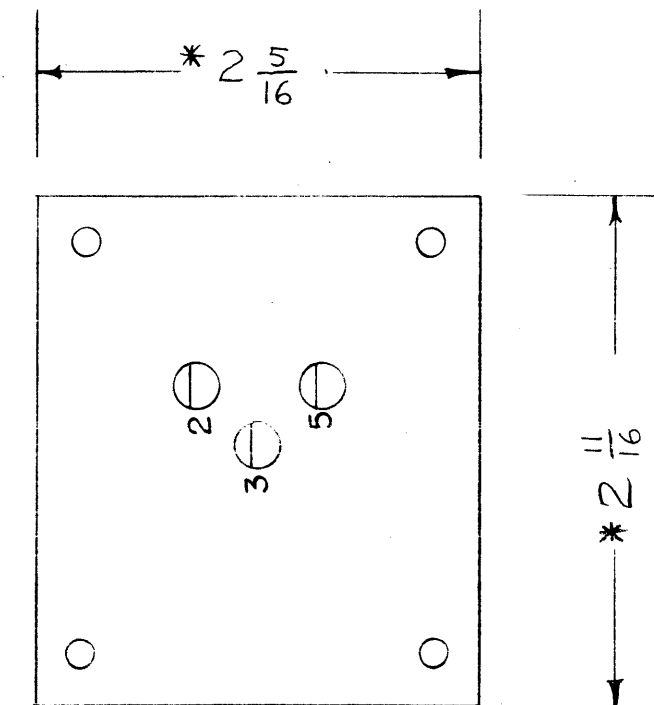
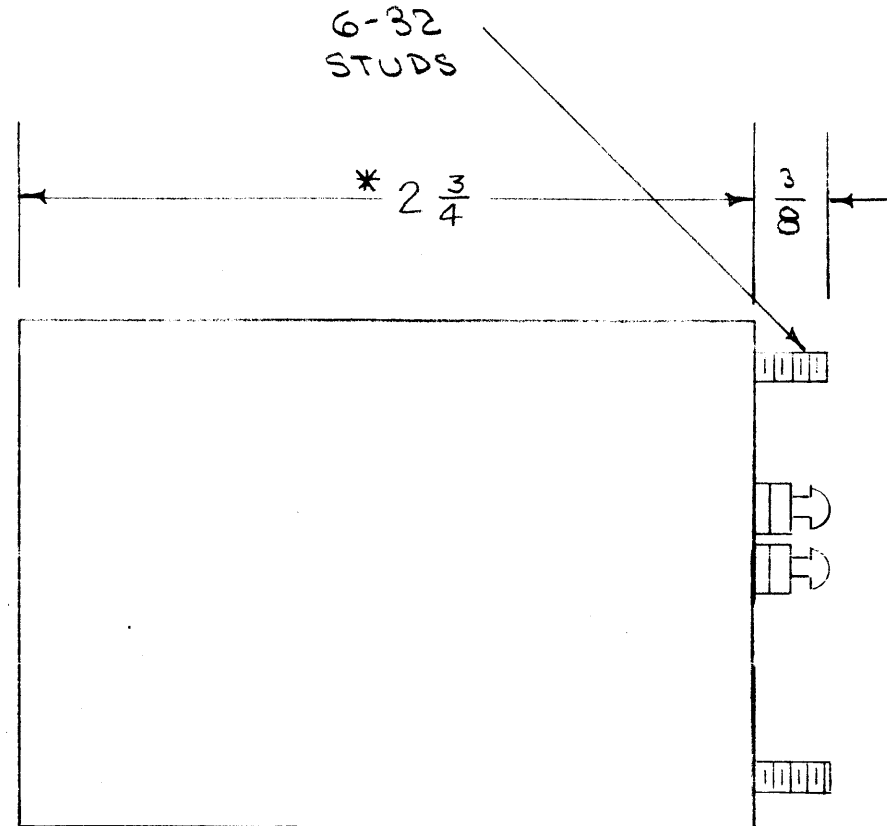
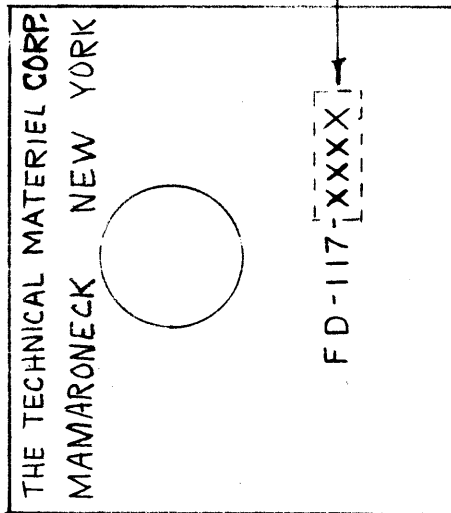
FD-117 B

SUFFIX	C.P.S
FD-117-2125	2125
FD-117-2295	2295
FD-117-2465	2465
FD-117-2635	2635
FD-117-2805	2805



THIS SECTION AS PER CHART ABOVE

NOTE:
 SUFFIX DENOTES CENTER FREQ. IN C. P. S.



* DIMENSIONS ARE NOMINAL.

REF: A-751

REQ.	ITEM	PART NO.	DESCRIPTION	SYMBOL
		— —	THE TECHNICAL MATERIEL CORP. MAMARONECK, NEW YORK	
		STOCK SIZE		
		— —	FILTER, DISCRIMINATOR	
		MATERIAL	WEIGHT PER PC.	
		— —		
		TYPE & TEMPER		
		— —		
		HEAT TREAT. SPEC.		
		— —		
		FINISH & SP		

CD. 5-19-54	K Z	
DRAWN	ELEC. DES. APP.	MECH. DES. APP.
MADE	A. J. J.	
CHECKED	FINAL APPROVAL	
	FD-117	B

B	COMPLETELY REV.	10.30.67	18580	HE	EFM		
A	DIM CHG'D FROM 2.300 X 2.670 TO 2-3/8 X 2 3/4 AS PER BX-100-9	1/4/58	1	RS	MADE		
ISSUE	ITEM	CHANGED FROM	DATE	CN. NO.	DRAFTS	CHECKER	ENG. APP.
TOLERANCES		SCALE: DO NOT SCALE					
ALL OTHERS	DEC. DIM. ± FRAC. DIM. ± ANGULAR DIM. ±	DRILL, PUNCH, COMMERCIAL STOCK SIZES AND MANUFACTURERS TOLERANCES ARE NOT INCLUDED.					

RSD-2	A-778	5-20-54
MODEL	PROJECT NO.	ASSY. NO.
		DATE

USED ON