

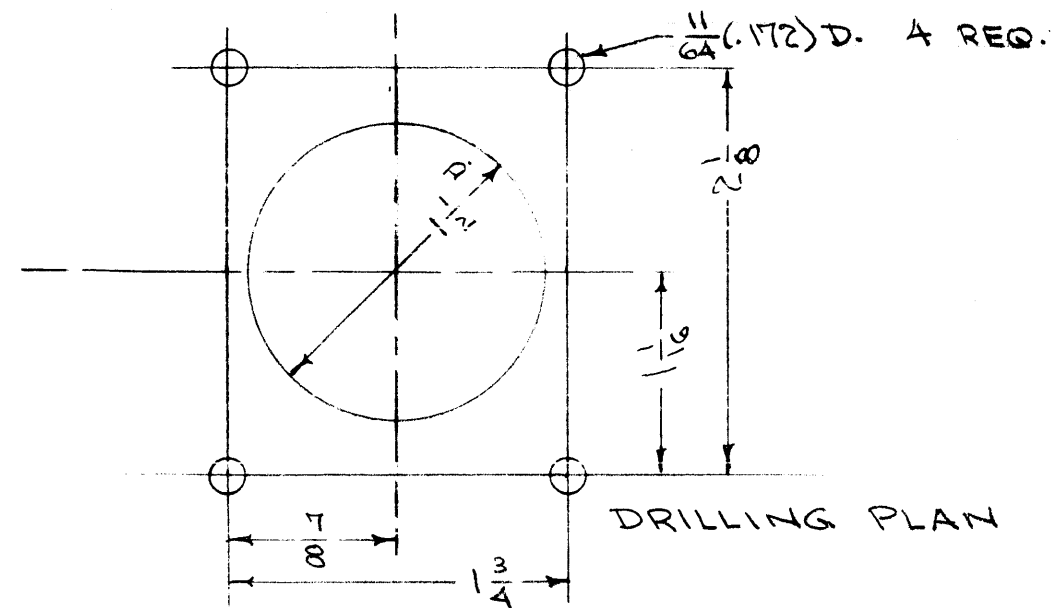
IF IT IS FOUND DESIRABLE TO CHANGE ANY TOLERANCE OR OTHER DETAIL SPECIFIED ON THIS DRAWING NOTIFY THE PURCHASER PROMPTLY.

MAXIMUM ALLOWABLE TOLERANCES HAVE BEEN DETERMINED AND DEVIATIONS WILL BE CAUSE FOR REJECTION. REMOVE ALL BURRS AND SHARP EDGES

SUFFIX	C.P.S
FD-116-425	425
FD-116-595	595
FD-116-765	765
FD-116-935	935
FD-116-1105	1105
FD-116-1275	1275
FD-116-1445	1445
FD-116-1615	1615
FD-116-1785	1785
FD-116-1955	1955

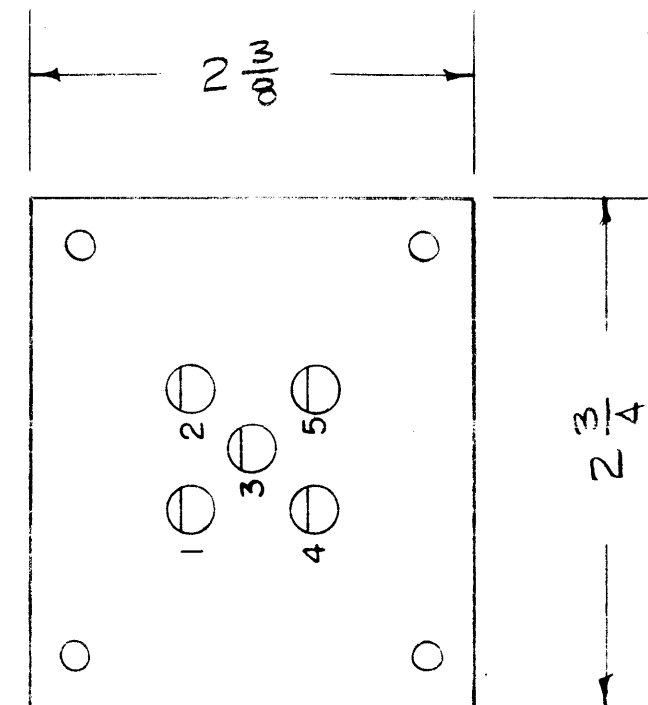
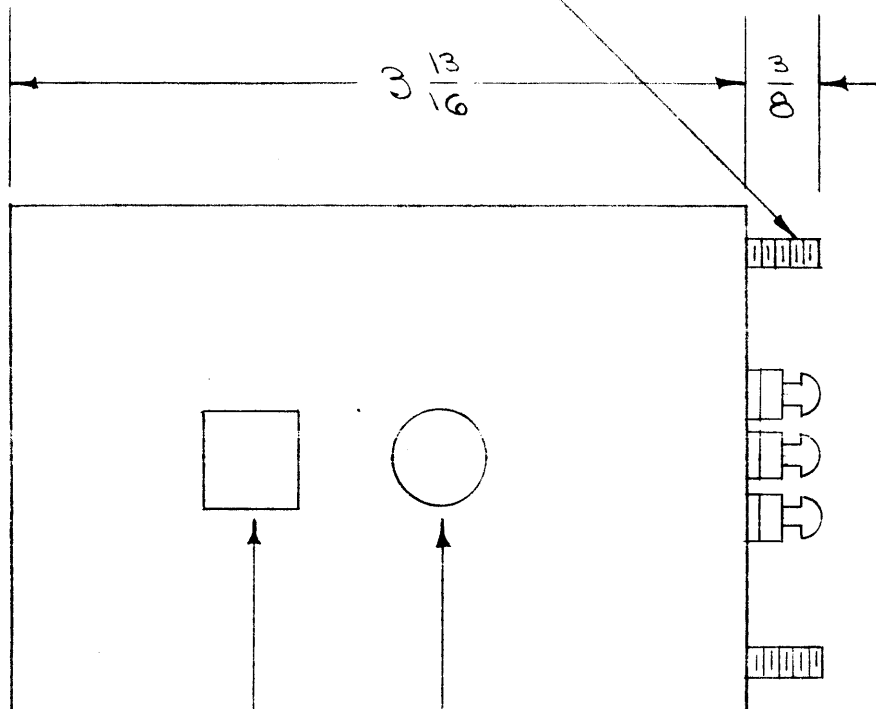
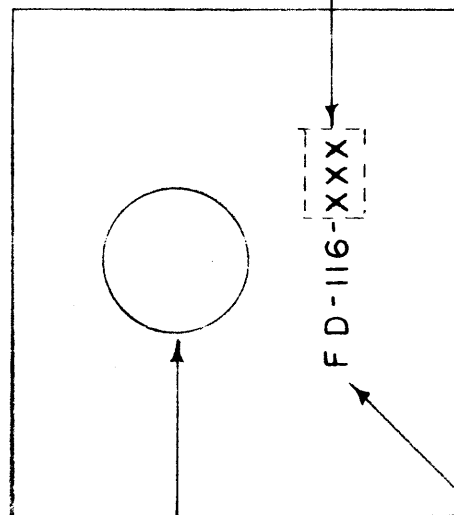
**ELECTRICAL SPECIFICATIONS -**  
 DISCRIMINATOR UNIT IS CENTERED ON FREQ. DENOTED BY SUFFIX.  
 UNDER STANDARD DESIGN CONDITIONS (S-207) THE DC OUTPUT VOLTAGE SHALL BE NO LESS THAN +8V FOR A DEVIATION OF +40 CPS FROM FREQ.  
 FOR A DEVIATION OF -40 CPS FROM FREQ., THE DC OUTPUT VOLTAGE SHALL BE NO LESS THAN -8V.

FD-116 B



THIS SECTION AS PER CHART ABOVE

NOTE: SUFFIX DENOTES CENTER FREQ. IN C.P.S.



NP-139 TMC INSIGNIA

INSPECTION STAMP

1/8 METAL STAMP

APPROVAL STAMP

REF: A-750

REQ.	ITEM	PART NO.	DESCRIPTION	SYMBOL
			THE TECHNICAL MATERIEL CORP. MAMARONECK, NEW YORK	
			FILTER, DISCRIMINATOR	
			C.D.D. 5-1854	KZ
			DRWN	ELEC. DES. APP. MECH. DES. APP.
			CHECKED	FINAL APPROVAL
				FD-116 B

ISSUE	ITEM	CHANGED FROM	DATE	CN. NO.	DRAFTS	CHECKER	ENG. APP.
B	1	O/A DIM. CHGD. FROM 2.300x2.670 TO 2-3/8 x 2-3/4 AS PER BX-100-9	1/6/58	2	10	J. De	J. De
A	1	1275 WAS 1295	8-1555	1	11	J. De	J. De

REQ. PER UNIT	MODEL	PROJECT NO.	ASSY. NO.	DATE
	RSD-2		A-778	5-20-54