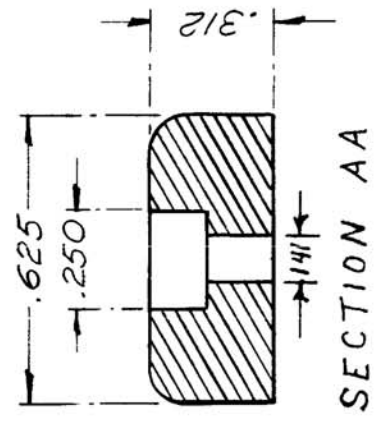
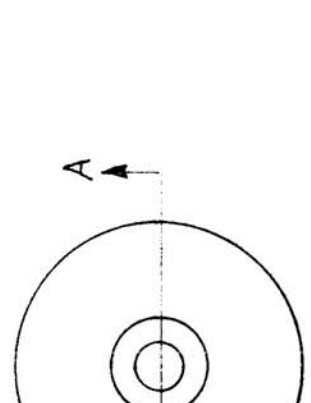


ISSUE	ITEM	CHANGED FROM	DATE	CN. NO.	DRAFTS	CHECKER	ENG. APP.	REQ.	ITEM	PART NO.	DESCRIPTION	SYMBOL
Φ		PROD RELEASE	9 MAR 73		CC	HCS	SDW					



MANUFACTURER: HERMAN H. SMITH INC, # 2193

DCS-1	MODEL	PROJECT NO.	DATE	9 MAR 73
TOLERANCES		USED ON		
ALL OTHERS	DIC. DIM. ± .05 FRAC. DIM. ± 1/64 ANGULAR DIM. ± 0° 30'	IF IT IS FOUND DESIRABLE TO CHANGE ANY TOLERANCE OR OTHER DETAIL SPECIFIED ON THIS DRAWING NOTIFY THE PURCHASER PROMPTLY.		
	SCALE 2:1	DIMENSIONS IN INCHES UNLESS OTHERWISE SPECIFIED		
		DRILL: PUNCH, COMMERCIAL STOCK SIZES AND MANUFACTURERS TOLERANCES ARE NOT INCLUDED.		
TMC (Canada) LIMITED OTTAWA		RUBBER BUMPER, RECESS		
C. CHARLES		S. WITTEN		
DRAWN		ELEC. DES. APP.		
CHECKED		MECH. DES. APP.		
FINISH & SPEC. NO.		FINAL APPROVAL		
Φ		EY 10008		