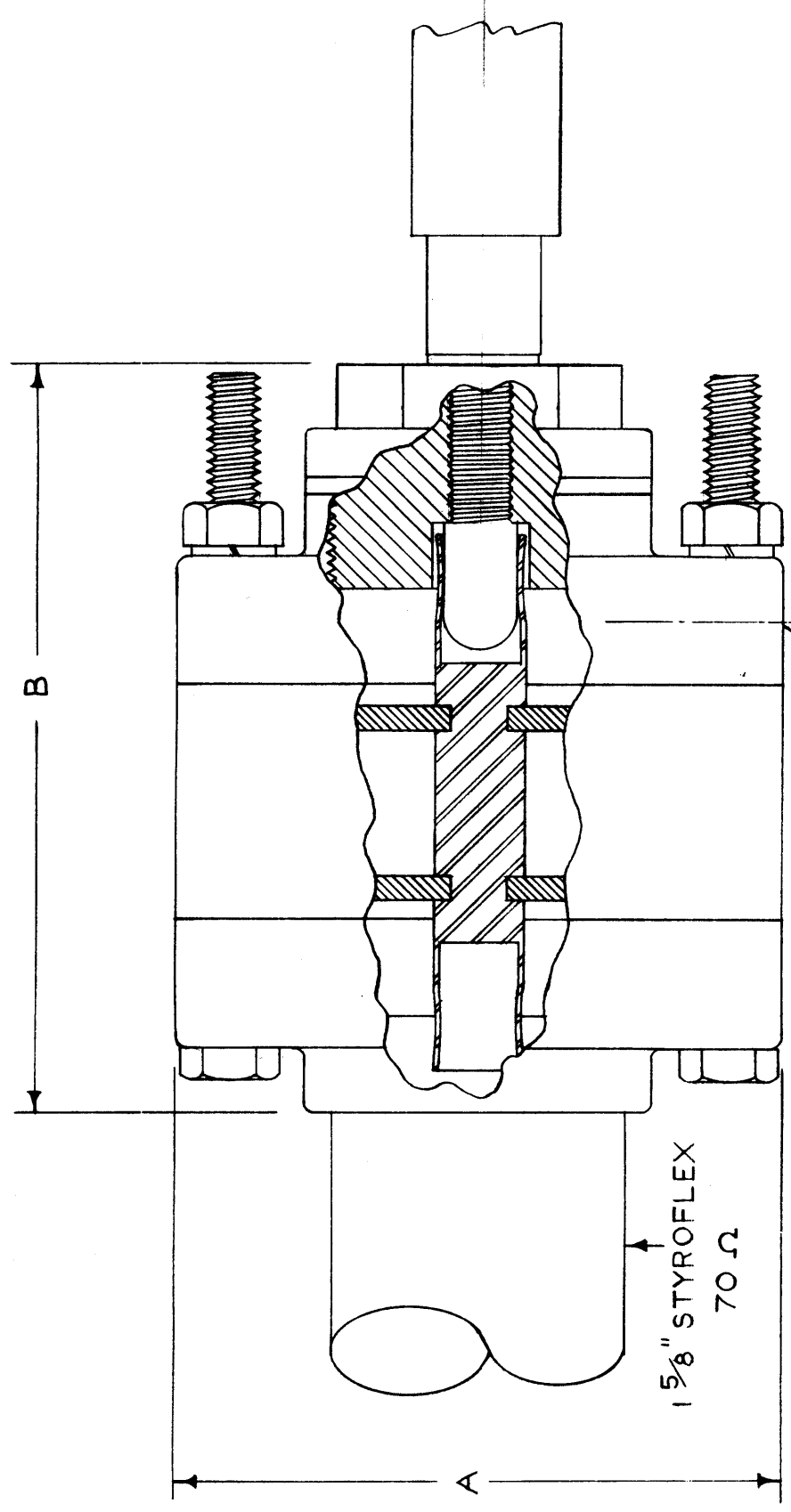
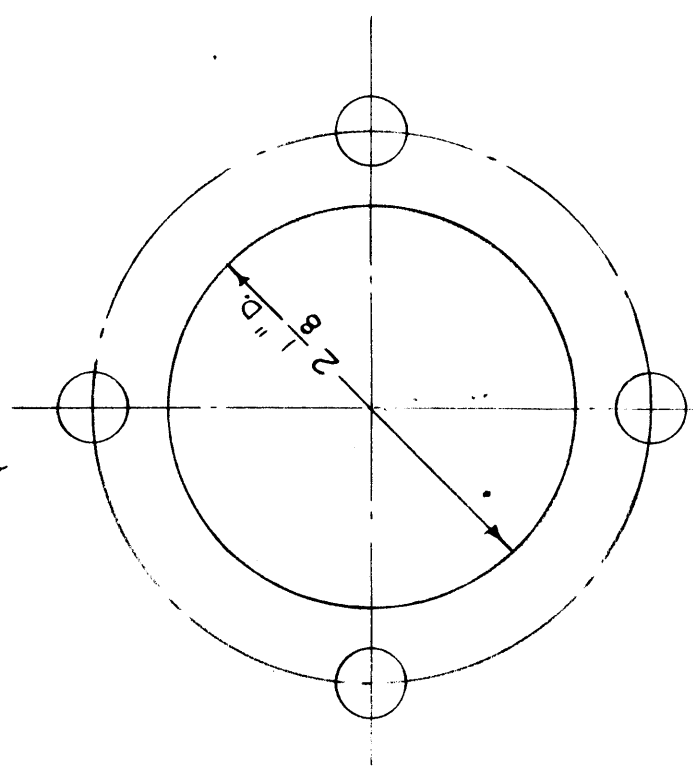


PROPERTY OF THE TECHNICAL MATERIEL CORPORATION  
 THE TECHNICAL MATERIEL CORPORATION  
 MAMARONECK, NEW YORK

THIS DRAWING IS THE PROPERTY OF THE TECHNICAL MATERIEL CORPORATION AND IS TO BE KEPT IN CONFIDENCE. IT IS TO BE USED ONLY FOR THE PURPOSES SPECIFIED HEREIN. IT IS TO BE RETURNED TO THE TECHNICAL MATERIEL CORPORATION UPON COMPLETION OF THE PROJECT FOR WHICH IT WAS PREPARED. IT IS TO BE DESTROYED UPON THE ORDER OF THE TECHNICAL MATERIEL CORPORATION. THIS DRAWING IS TO BE KEPT IN CONFIDENCE AND IS NOT TO BE REPRODUCED OR USED IN ANY MANNER WITHOUT THE WRITTEN PERMISSION OF THE TECHNICAL MATERIEL CORPORATION.



MTG. DETAIL



ROUGH DIMENSIONS  
 A - 3 1/2"  
 B - 4 1/4"

DEHYDRATING PORT  
 FOR  
 1/8-27 PIPE THREAD

MTG. DIM.: ONE 2 1/8 IN. DIA. CUTOUT.  
 FOUR 3/8 IN. DIA. HOLES ON A  
 1 1/32 IN. RADIUS, 90° APART.

REF. NGF SKETCH NO. 285-1-10

REQ. ITEM	PART NO.	DESCRIPTION	SYMBOL
		THE TECHNICAL MATERIEL CORP. MAMARONECK, NEW YORK	
		END SEAL MODEL ES-101	
		1 5/8 STYROFLEX TO USN SLEEVE ANT.	
		6 5-1-56	
		DRAWN	CHECKED
		TYPE & TEMPER	HEAT TREAT. SPEC.
		FINISH & SPEC. NO.	ELEC. DES. APP. MECH. DES. APP.
		ES-101	SA

REQ. PER UNIT	MODEL	PROJECT NO.	ASSY. NO.	DATE

ISSUE ITEM	CHANGED FROM	DATE	CH. NO.	DRAFTS	CHECKER	ENG. APP.
Ø	ORIGINAL RELEASE	2/14/69				
TOLERANCES						
SCALE: FULL						
MAXIMUM ALLOWABLE TOLERANCES HAVE BEEN DETERMINED AND ANY DEVIATIONS WILL BE CAUSE FOR REJECTION. REMOVE ALL BURRS AND SHARP EDGES						
DEC. DIM. ±						
FRAC. DIM. ±						
ANGULAR DIM. ±						