

THE CONTENTS OF THIS DRAWING ARE THE EXCLUSIVE PROPERTY OF THE TECHNICAL MATERIEL CORP. ITS UNAUTHORIZED USE OR REPRODUCTION IN WHOLE OR IN PART IS STRICTLY FORBIDDEN.

USED ON

MODEL

DATE

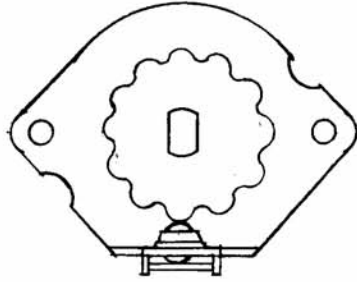
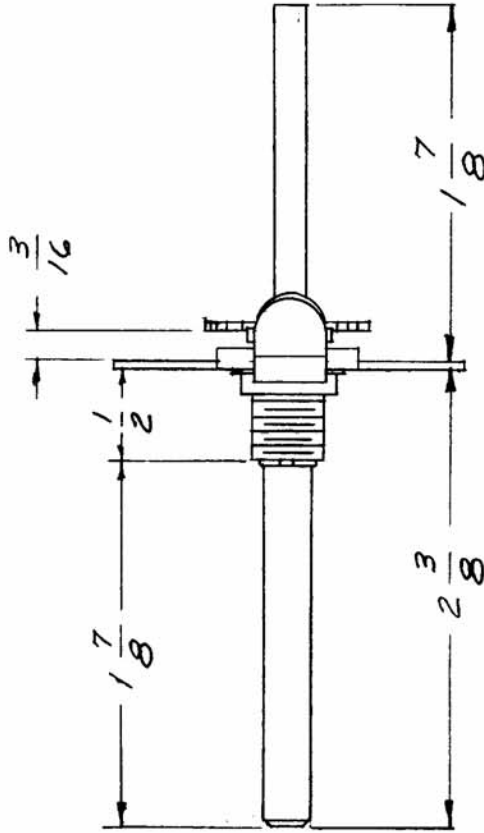
1-10-62

REQ. PER UNIT

HFI-1

ASSY. NO.

DT-107



SYMBOL

DESCRIPTION

THE TECHNICAL MATERIEL CORP.

MAMARONECK, NEW YORK

DETENT, SWITCH

(ROTARY)

PART NO.

REQ. ITEM

STOCK SIZE

SHAFT
STEEL

MATERIAL

CR

W.S.

SPM

TYPE & TEMPER HEAT TREAT. SPEC. DRAWN CHECKED FINAL APPROVAL

CADMIUM PLATED

FINISH & SPEC. NO.

ELEC. DES. APP. MECH. DES. APP.

DT-107

UNLESS OTHERWISE SPECIFIED:

DIMENSIONS ARE IN INCHES

TOLERANCES ON

FRAC. $\pm 1/64$ DEC. $\pm .005$ ANGLES $\pm 1/2^\circ$

SCALE: 5401-6(31-11898-1)

DATE

CH. NO.

DRAFTS

CHECKER

ENG. APP.

A