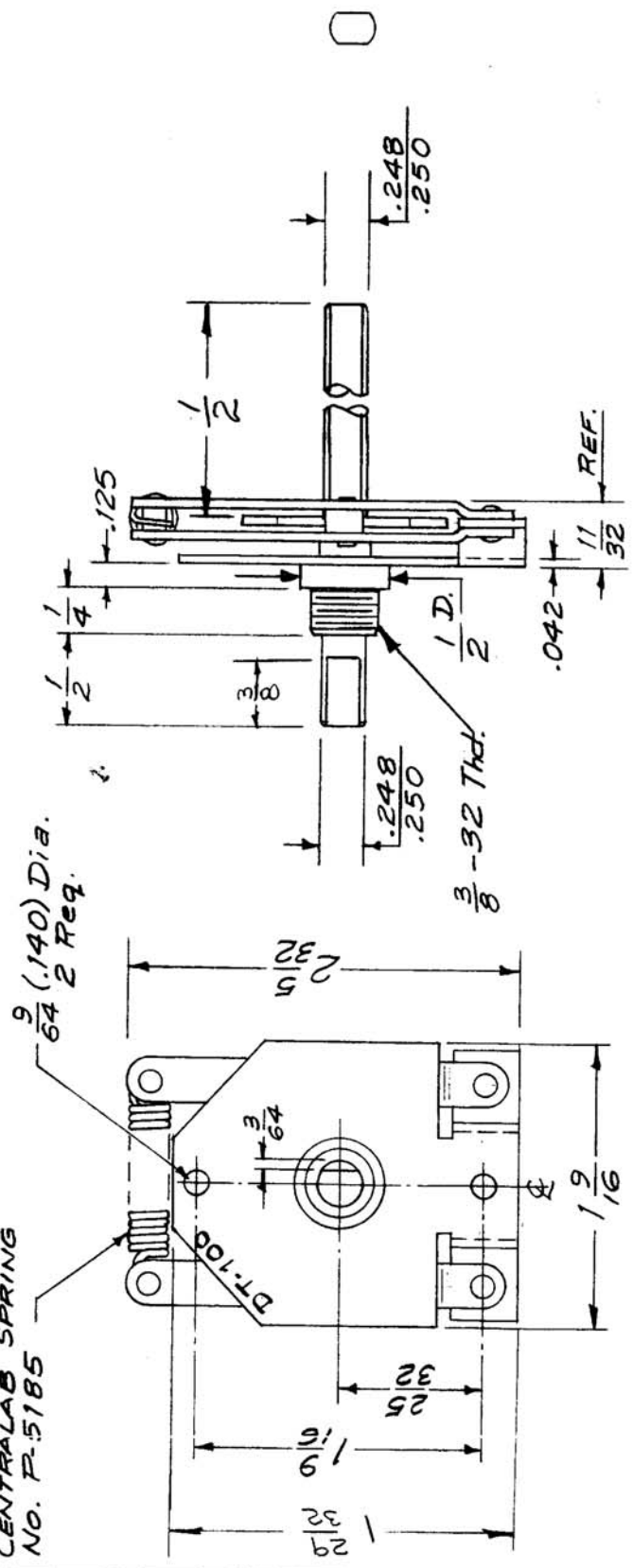


DT-100

REQ. PER UNIT	1
MODEL	GPR
USED ON ASSY. NO.	
DATE	1-21-58

CENTRALAB SPRING
NO. P-5185



Notes:
No Stops.
6 Positions
60° Clover Leaf Index

Ref-CENTRALAB, Type "G" Index.

REQ. ITEM	PART NO.	DESCRIPTION	SYMBOL
#	#	THE TECHNICAL MATERIEL CORP. MAMARONECK. NEW YORK	
	STEEL	DETENT, ROTARY SWITCH	
	MATERIAL		
	TYPE & TEMPER	HEAT TREAT. SPEC.	
	5105 Cadmium Plate	DRWN P.L.K.	
	FINISH & SPEC. NO.	ELEC. DES. APP. MECH. DES. APP.	
ISSUE ITEM	CHANGED FROM	DATE	CH. NO.
TOLERANCES			
SCALE: FULL			
MAXIMUM ALLOWABLE TOLERANCES HAVE BEEN DETERMINED AND ANY DEVIATIONS WILL BE CAUSE FOR REJECTION. REMOVE ALL BURRS AND SHARP EDGES			
DEC. DIM. ±			
FRAC. DIM. ±			
ANGULAR DIM. ±			
		6-1-21-58	
		HECKED	
		DRW	
		FINAL APPROVAL	
		DT-100	