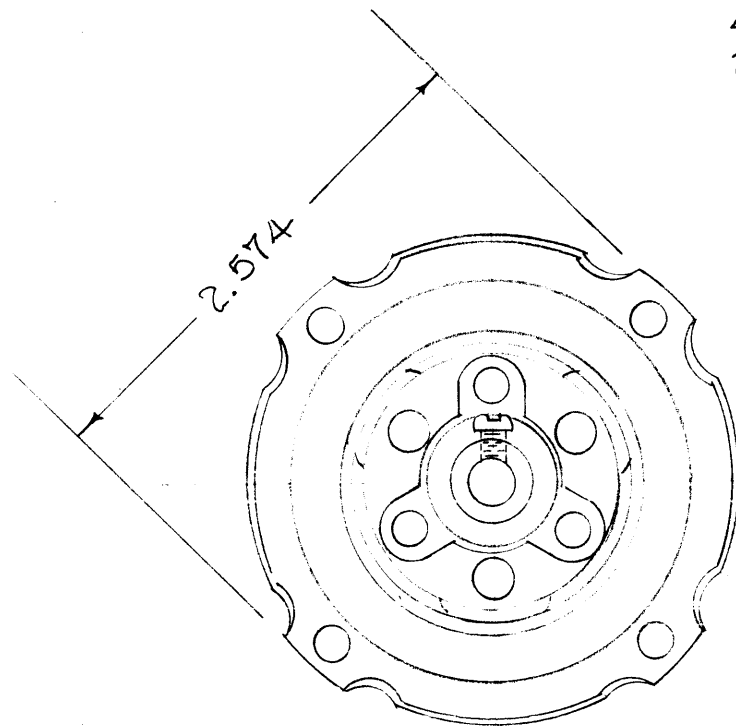


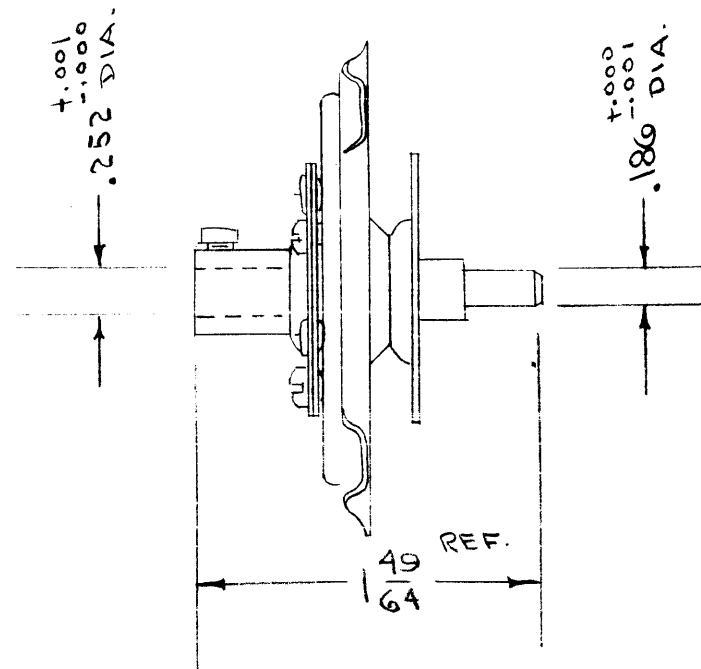
IF IT IS FOUND DESIRABLE TO CHANGE ANY TOLERANCE OR OTHER DETAIL SPECIFIED ON THIS DRAWING NOTIFY THE PURCHASER PROMPTLY.

MAXIMUM ALLOWABLE TOLERANCES HAVE BEEN DETERMINED AND DEVIATIONS WILL BE CAUSE FOR REJECTION. REMOVE ALL BURRS AND SHARP EDGES

DI-100



4 HOLES .156 DIA. ON A 2.312 PITCH CIRCLE



REF. NATIONAL CO. INC. PART NO. SB: 2634

REQ.	ITEM	PART NO.	DESCRIPTION	SYMBOL
	#		THE TECHNICAL MATERIEL CORP. MAMARONECK. NEW YORK	
	#	#	VERNIER DRIVE & COUPLING	
	#	#	TAC-1	
	#	#	C.D.D. <i>ARB</i>	<i>WJ</i>
	#	#	DRAWN <i>ARB</i>	ELEC. DES. APP. MECH. DES. APP.
	#	#	HEAT TREAT. SPEC. <i>ARB</i>	<i>WJ</i>
	#	#	CHECKED	FINAL APPROVAL
	#	#	FINISH & SPEC. NO.	DI-100

ISSUE	ITEM	CHANGED FROM	DATE	CN. NO.	DRAFTS	CHECKER	ENG. APP.
TOLERANCES		SCALE: $\frac{1}{2}$					
ALL OTHERS	DEC. DIM. $\pm$ FRAC. DIM. $\pm$ ANGULAR DIM. $\pm$	DRILL, PUNCH, COMMERCIAL STOCK SIZES AND MANUFACTURERS TOLERANCES ARE NOT INCLUDED.					

1	TAC-1	132	A-715	1-20-54
REQ PER UNIT	MODEL	PROJECT NO.	ASS'Y. NO.	DATE
USED ON				