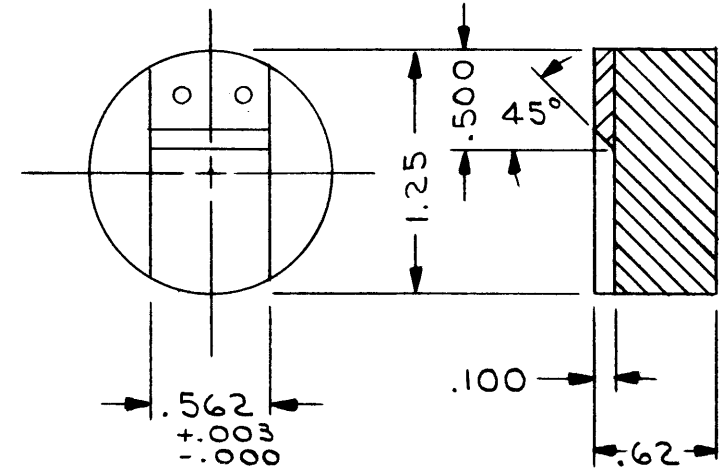


DE 104

REVISIONS						
SYM	DESCRIPTION	DATE	E.M.N. NO.	DRAFT	CHKD	APPD
Φ	ORIGINAL RELEASE FOR PRODUCTION	8-6-64	Φ	J. Gellman		

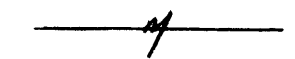


REQ'D.	ITEM	PART NUMBER	DESCRIPTION	SYMBOL
--------	------	-------------	-------------	--------

M. GELLMAN LIST OF MATERIAL

MATERIAL TOOL STEEL  
HARDENED TEMPERATURE  
AND GROUND

THE TECHNICAL MATERIEL CORP.  
MAMARONECK, NEW YORK

FINISH 

TITLE  
PUNCH & DIE, JOGGLE BEND

	VLR-1	
Q'TY./UNIT	MODEL USED ON	ASS'Y. NO.
SCALE 1:1	CODE A	

UNLESS OTHERWISE SPECIFIED  
DIMENSIONS ARE IN INCHES AND INCLUDE  
CHEMICALLY APPLIED OR PLATED FINISHES

DRAWN J. LESHINSKI	DATE 11/15/63	FINAL APPROVAL 	DATE
CHECKED 	DATE 8-4-64		
ELECT. DES. 	DATE		
MECH. DES. 	DATE 8-4-64		

DECIMALS .X ± .05 .XX ± .01 .XXX ± .005	TOLERANCES	FRACTI NS ± 1/64 ANGLES ± 0° 30'	DE 104	Φ
			SHEET	REV. LTR.

NOTES

THE CONTENTS OF THIS DRAWING ARE THE EXCLUSIVE PROPERTY  
OF THE TECHNICAL MATERIEL CORP. ITS UNAUTHORIZED USE OR  
REPRODUCTION IN WHOLE OR IN PART IS STRICTLY FORBIDDEN.