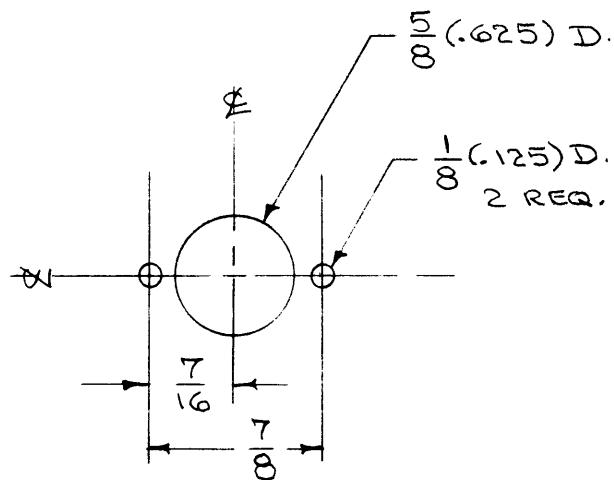


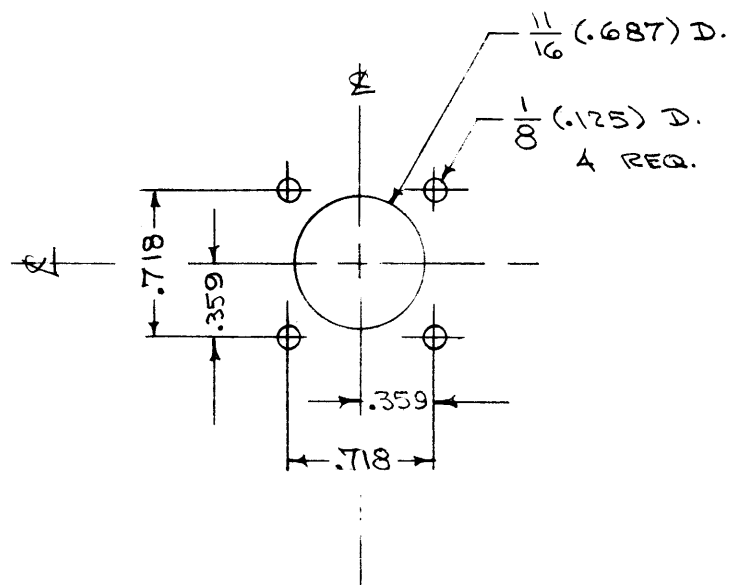
IF IT IS FOUND DESIRABLE TO CHANGE ANY TOLERANCE OR OTHER DETAIL SPECIFIED ON THIS DRAWING NOTIFY THE PURCHASER PROMPTLY.

MAXIMUM ALLOWABLE TOLERANCES HAVE BEEN DETERMINED AND DEVIATIONS WILL BE CAUSE FOR REJECTION. REMOVE ALL BURRS AND SHARP EDGES

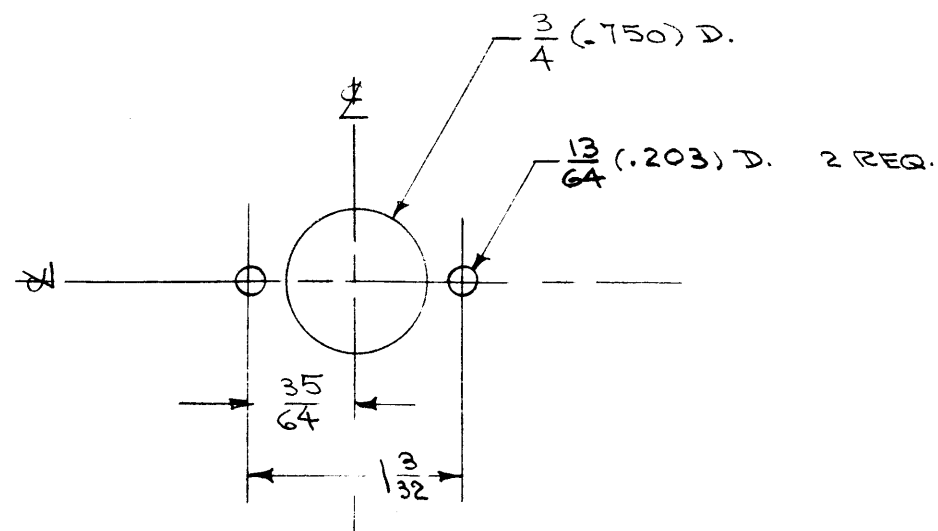
DE-101



PUNCH DETAIL
7 PIN MINIATURE SOCKET



PUNCH DETAIL
SO-239



PUNCH DETAIL
BX-103

REQ.	ITEM	PART NO.	DESCRIPTION	SYMBOL
			THE TECHNICAL MATERIEL CORP, MAMARONECK, NEW YORK	
STOCK SIZE			PUNCH DETAILS	
MATERIAL		WEIGHT PER PC.		
TYPE & TEMPER			CDD. G-15-55	
HEAT TREAT. SPEC.			DRAWN	ELEC. DES. APP. MECH. DES. APP.
FINISH & SPEC. NO.			CHECKED	APPROVAL
			DE-101	

ISSUE	ITEM	CHANGED FROM	DATE	CN. NO.	DRAFTS	CHECKER	ENG. APP.
TOLERANCES				SCALE:			
ALL OTHERS	DEC. DIM. ±	FRAC. DIM. ±	ANGULAR DIM. ±	DRILL, PUNCH, COMMERCIAL STOCK SIZES AND MANUFACTURERS TOLERANCES ARE NOT INCLUDED.			

REQ. PER UNIT	MODEL	PROJECT NO.	ASS'Y. NO.	DATE
USED ON				