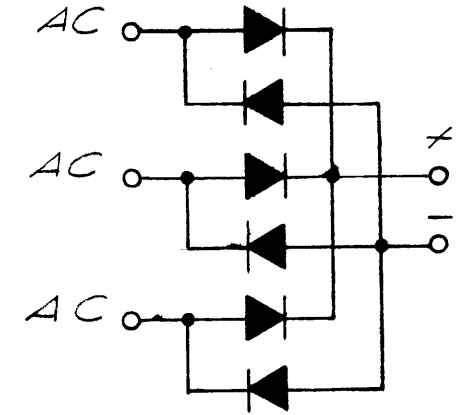
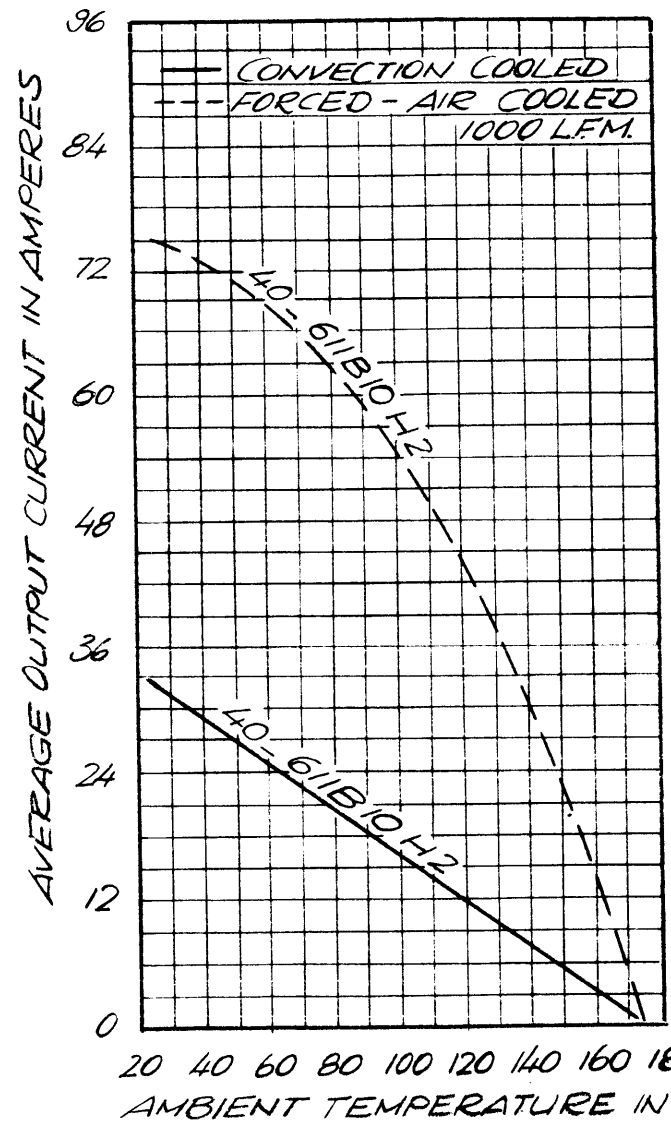
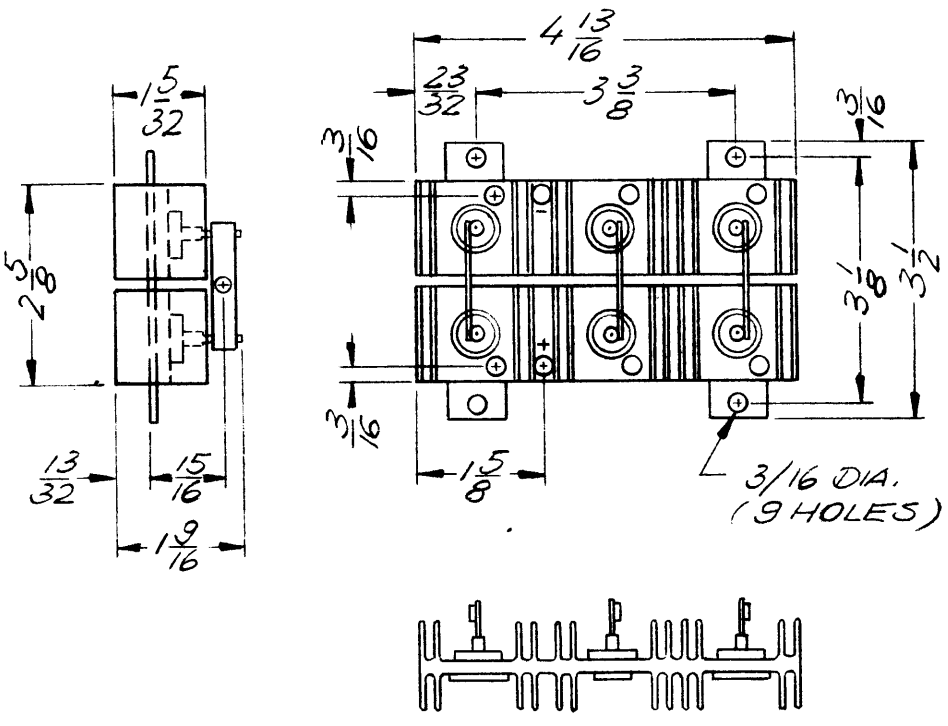


TMC P/N.	MFGR. P/N.	PRV OF DIODE	OUTPUT VOLTAGE	OUTPUT CURRENT AT 40°C. AMBIENT RESISTIVE OR INDUCT. LOAD, 60 CPS INPLT	TYPE OF ASSY.
DD147-1	40B611B10H2	200	190	32 AMPERES	CONTROLLED AVALANCHED

REVISIONS					
LTR	DESCRIPTION	DATE	E.M.N.NO	DRAFT	CHKD APPD
X	EXP. RELEASE	12/2/69		FLA	KS
X	ORIGINAL RELEASE	11/11/70		W	
A	NOTE ADD PER EMN	7/8/77	2.1562	PH	PHB K.P.

OUTPUT CURRENT AS A FUNCTION OF AMBIENT TEMPERATURE FOR ALL STANDARD STACK ASSEMBLIES



NOTE:  
 1. SUPERCEDED BY DD150 FOR NEW DESIGN  
 2. FOR SPARES USE DIRECTLY REPLACED BY A 5704

CONNECTIONS:  
 A.C. = BLISBAR  
 D.C. = HEATSINK  
 WEIGHT = 9 OZ.

QTY / UNIT	MODEL USED ON	ASS'Y NO.
1	PALA-10K	AP148
APPLICATION		
CODE	S401-404	
NOTICE TO PERSONS RECEIVING THIS DRAWING THE TECHNICAL MATERIEL CORPORATION claims proprietary right in the material disclosed hereon. This drawing is issued in confidence for engineering information only and may not be reproduced or used to manufacture anything shown hereon without permission from THE TECHNICAL MATERIEL CORPORATION to the user. This drawing is loaned for mutual assistance and is subject to recall at any time.		
FINISH		

UNLESS OTHERWISE SPECIFIED DIMENSIONS ARE IN INCHES AND INCLUDE CHEMICALLY APPLIED OR PLATED FINISHES	
DECIMALS .X ± .05 .XX ± .01 .XXX ± .005	FRACTIONS 1/64 ANGLES 0° - 30'
MATERIAL	
FINISH	

REQ'D	ITEM	PART NUMBER	DESCRIPTION	SYM.
		BLUDETTI	LIST OF MATERIAL	
FINAL APPROVED: [Signature] DATE: 12-70 MECH. DES. RT DATE: 1-12-70 ELECT. DES. DATE: CHECKED: [Signature] DATE: 12/2/69 DRAWN: [Signature] DATE: 12/1/69				
THE TECHNICAL MATERIEL CORP. MAMARONECK, NEW YORK RECTIFIER STACK 3 PHASE				
SIZE	CODE IDENT. NO.	DWG NO.	ISSUE	
B	82679	DD147	A	
SCALE	SHEET		OF	