

4

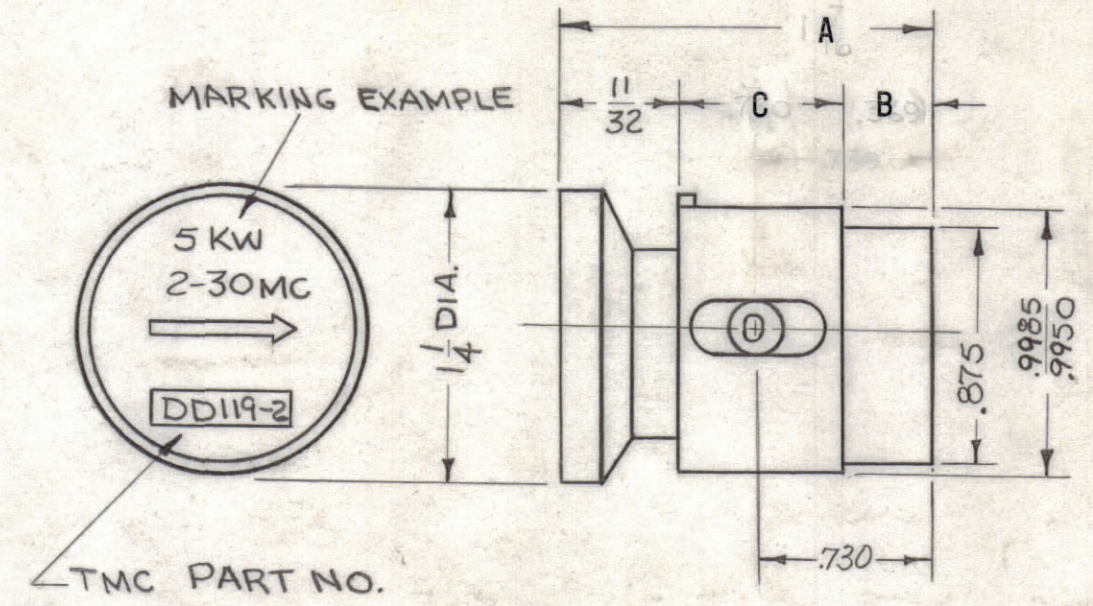
3

2

1

REVISIONS						
ZONE	LTR	DESCRIPTION	DATE	E.M.N.NO	DRAFT	CHKD APPD
C		REVISED & REDRAWN,	1/14/68	18468	long	FB
D		REV. & UPDATED	4-30/68	18898	JL	FB
E		REVISED & UPDATED		19744	CV	FB
F		UPDATED	1/27/70	19834	CV	FB

TMC P/N	RATING AVG	CALIBRATION DATA ACCURACY ±5% AT CALIBRATION POWER				USE WITH DIRECTIONAL COUPLER	MARKING	A	B	C
		AVG LINE PWR	CURRENT THAT ELEMENT DELIVERS INTO LOAD	CALIBRATION FREQ	RESISTANCE OF LOAD					
DD119-1	10KW	5KW CW	67.4uA SINGLE TONE	10Mc	1825 Ω	DC105	10KW 2-30Mc → DD119-1	1-7/16	.369	.730
-2	5KW	2.5KW CW	67.4uA SINGLE TONE			DC105	5KW 2-30Mc → DD119-2			
-3	5KW	2.5KW CW	76.9uA TWO TONE			DC106	5KW 2-30Mc → DD119-3			
-4	1KW	500W CW	76.9uA TWO TONE				1KW 2-30Mc → DD119-4			
-5	1.5KW	750W CW	76.2uA TWO TONE				1.5KW 2-30Mc → DD119-5			
-6	500W	250W CW	76.2uA TWO TONE	10Mc		DC106	500W 2-30Mc → DD119-6	1-7/16	.369	.730
-7	25KW	12.5KW CW	65.9uA SINGLE TONE	2Mc	1925 Ω	DC104-2	25KW .5-2.0 Mc → DD119-7	1-19/32	.520	.881
-8	10KW	5.0KW CW	32.6uA SINGLE TONE	2Mc	2000 Ω	DC104-2	10KW .5-2.0 Mc → DD119-8	1-19/32	.520	.881
-9	5KW	2.5KW CW	65.9 uA TWO TONE	10Mc	1050 Ω	DC104-3	5KW 2-30Mc → DD119-9	1-7/16	.369	.730
-10	20KW	10KW CW	64.6uA TWO TONE	10Mc	1050 Ω	DC104-3	20KW 2-30Mc → DD119-10	1-7/16	.369	.730



DD119 E B

QTY. REQ.	ITEM	PART NO.	DESCRIPTION	SYMBOL
LIST OF MATERIAL				
FINAL APPROVAL FB DATE				
MECH. DES. DATE				
ELECT. DES. AA DATE				
CHECKED JL DATE				
DRAWN long DATE 1-18-68				
MATERIAL			SIZE C	CODE IDENT. NO. 82679
FINISH			DWG NO. DD 119	ISSUE F
			SCALE	SHEET OF

QTY / UNIT	MODEL USED ON	ASS'Y NO.
	SWR-10K/50U	
APPLICATION		
CODE		
NOTICE TO PERSONS RECEIVING THIS DRAWING		
THE TECHNICAL MATERIEL CORPORATION claims proprietary right in the material disclosed hereon. This drawing is issued in confidence for engineering information only and may not be reproduced or used to manufacture anything shown hereon without permission from THE TECHNICAL MATERIEL CORPORATION to the user. This drawing is loaned for mutual assistance and is subject to recall at any time.		

4

3

2

1