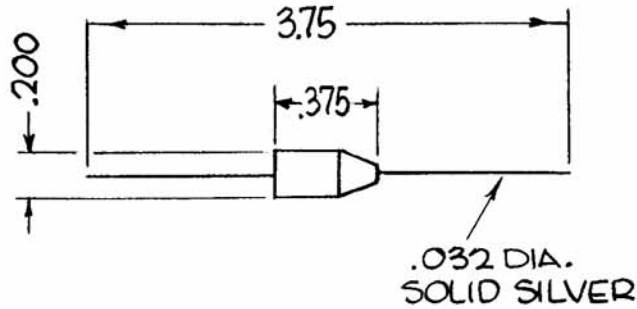


# STANDARD DRAWING



REQ. PER UNIT	USED ON			DD112	
	MODEL	ASS'Y. NO.	DATE		
4	GPT-10KLF		11-16-65		

**TEMPERATURE DERATING**

**SURGE CURRENT DERATING**

TMC PART NO.	MFG. PART NO.	AVERAGE RATINGS AT 25°C					SPECS. @ 100°C	
		PIV VOLTS	MIN BREAKDOWN VOLTAGE VOLTS	AVG FORWARD CURRENT MA	RECURRENT PEAK CURRENT AMPS	DC REVERSE CURRENT µA	MAX. FWD VOLTAGE DROP VOLTS	DYN REVERSE CURRENT MA
DD112-1	HV-36C	3600	4500	250	6	6	5.0	0.1

OPER. TEMP. -65°C to + 150°C      STORAGE TEMP. -65°C to + 165°C

REQ.	ITEM	PART NO.	F. BUDETTI DESCRIPTION	SYMBOL
		STOCK SIZE	THE TECHNICAL MATERIEL CORP. MAMARONECK. NEW YORK	
			DIODE, SILICON H.V. RECTIFIER	
SYM			MATERIAL	
			TYPE & TEMPER    HEAT TREAT. SPEC.	
			DRAWN    CHECKED    FINAL APPROVAL	
			FINISH & SPEC. NO.	
			ELEC. DES. APP.    MECH. DES. APP.	

UNLESS OTHERWISE SPECIFIED DIMENSIONS ARE IN INCHES AND INCLUDE CHEMICALLY APPLIED OR PLATED FINISHES

SCALE: 1:1

DECIMALS: .X ± .05, .XX ± .01, .XXX ± .005

FRACTIONS: ± 1/64, ANGLES: ± 0° 30'

CODE: C    5401-178

DATE: 12/6/65    CHECKER: JVV

DATE: 12/6/65    ELEC. DES. APP.    MECH. DES. APP.

DD112