

THE CONTENTS OF THIS DRAWING ARE THE EXCLUSIVE PROPERTY OF THE TECHNICAL MATERIEL CORP. ITS UNAUTHORIZED USE OR REPRODUCTION IN WHOLE OR IN PART IS STRICTLY FORBIDDEN.

REQ. PER UNIT

2

MODEL

GPT-200K

USED ON

AX-397

DATE

6-8-62

DD-106

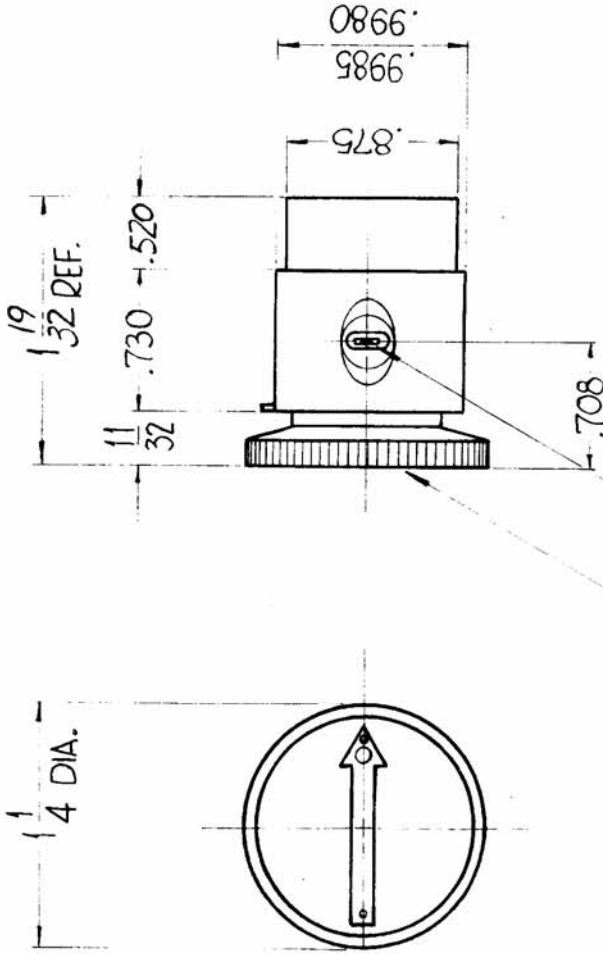
C

# ELECTRICAL SPECIFICATIONS -

FREQ RANGE: 2-30 MHZ  
 POWER RATINGS: 200KW AV, TWO TONE  
 COUPLER LINE SIZE:  $6\frac{1}{8}$ "  
 LINE IMPEDANCE: 50 OHMS  
 METER USED FOR CALIBRATION:  
 SENSITIVITY: 100µA FS @  
 RATED POWER

RESISTANCE: 1825 OHMS  
 CALIBRATION DATA WITH LINE  
 POWER OF 100KW CW @ 10MHZ  
 ELEMENT DELIVERS: 75.7µA  
 INTO RESISTANCE OF: 1825 OHMS  
 TWO TONE  
 CASE: GOLD PLATED

NOTE - THIS DIODE IS USED FOR  
 SPARE PARTS ONLY, IT IS  
 NORMALLY SUPPLIED WITH  
 THRU LINE, DIRECTIONAL  
 WATT METER - 6-1/8" TMC NO.  
 DC-103.



REQ. ITEM	PART NO.	DESCRIPTION	SYMBOL
C	CHG DIM FR 1 7/16 TO 1 9/32	THE TECHNICAL MATERIEL CORP. MAMARONECK, NEW YORK	
B	TWO TONE" ADDED	DETECTING ELEMENT, DIRECTIONAL COUPLER	
A	ELEC SPECS REVISED COMPLETELY		
0	ORIGINAL RELEASE FOR PRODUCTION		
SYM	DESCRIPTION		
12/17/70	20147	GE	CO
12-12-67	18668	HRJ	FB
12.12.66	17442	WHU	ST
5/27/64	0	A.M.	
DATE	CH. NO.	DRAFTS	CHECKER
SCALE: 5401-164 (490)			ENG. APP.
UNLESS OTHERWISE SPECIFIED: DIMENSIONS ARE IN INCHES TOLERANCES ON			
FRAC. ± 1/64 DEC. ± .005 ANGLES ± 1/2°			
MAXIMUM ALLOWABLE TOLERANCES HAVE BEEN DETERMINED AND ANY DEVIATIONS WILL BE CAUSE FOR REJECTION. REMOVE ALL BURRS AND SHARP EDGES			
TYPE & TEMPER	HEAT TREAT. SPEC.	DRAWN	CHECKED
		John C. Biele	aa
FINISH & SPEC. NO.		ELEC. DES. APP. MECH. DES. APP.	
		DD-106 C	