

DC107

USED ON  
 ASSY. NO.  
 MODEL  
 SWRAIK

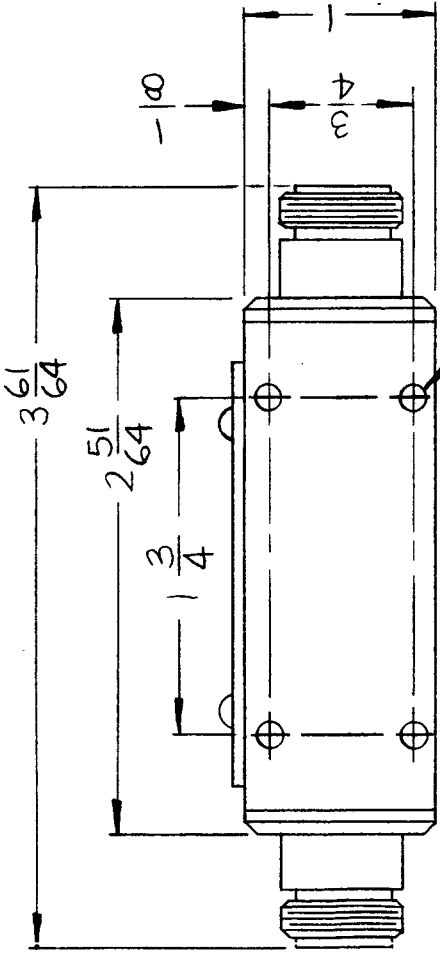
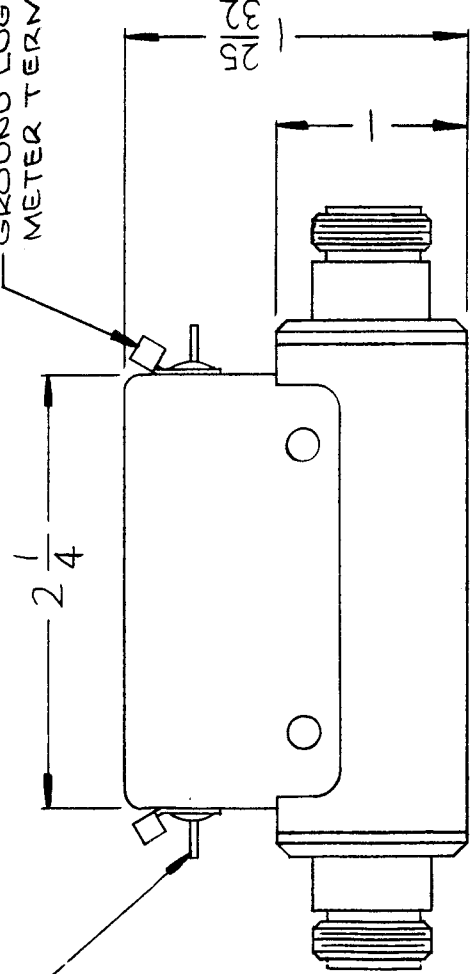
REQ. PER UNIT  
 DATE  
 11-17-66

SPECIFICATIONS

FREQUENCY RANGE: 2 - 30 MC  
 POWER RANGE: 1000 WATTS FORWARD  
 250 WATTS REFLECTED  
 RF CONNECTORS: N TYPE FEMALE  
 FOR USE WITH METER OF 30 μA  
 SENSITIVITY AND 1400 OHMS  
 RESISTANCE.

GROUND LUG, NEGATIVE  
 METER TERMINAL

POSITIVE DC OUTPUT METER TERMINAL,  
 DIRECTION OF TERMINAL INDICATES  
 DIRECTION OF RF POWER READ



No. 6-32 TAP (4 HOLES REQ)

REF: MR 197

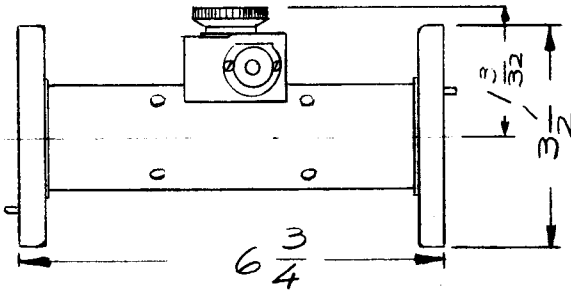
REQ. ITEM	PART NO.	DESCRIPTION	SYMBOL
	#	BUDETTI THE TECHNICAL MATERIEL CORP. MAMARONECK, NEW YORK	
	#	DIRECTIONAL COUPLER	
		MATERIAL	
		TYPE & TEMPER	DRAWN
		HEAT TREAT. SPEC.	CHECKED
		FINISH & SPEC. NO.	FINAL APPROVAL
			DC107
			MECH. DES. APP.
			ELEC. DES. APP.
			MECH. DES. APP.

APPLICATION			REVISIONS						
QTY	MODEL USED ON	ASS'Y NO.	LTR	DESCRIPTION	DATE	E.M.N.NO	DRAFT	CHKD	APPD
1	SPT3K/VHF	AX8081	Ø	ORIG RELEASE FOR PROD	4/16/69	<del>4</del>	CV		
1	SPT3K/VHF	AX8090							

TMC P/N	POWER		DETECTING ELEMENTS TMC P/N	FREQ RANGE	MFR P/N
	FWD	REFL			
DC8001-1	5KW	<del>1KW</del>	DD8003-1	30-150Mc	4715-00 WITH SPECIAL ELEMENTS
	<del>5KW</del>	1KW	DD8003-2		
-2	5KW	<del>1KW</del>	DD8003-3	150-350Mc	4715-00 WITH SPECIAL ELEMENTS
	<del>5KW</del>	1KW	DD8003-4		

**SPECIFICATIONS**

IMPEDANCE: 50Ω NOMINAL  
 INSERTION VSWR: 1.05 MAX  
 CONNECTOR: 1-5/8 EIA FLANGED  
 WEIGHT: 3LBS  
 MATERIAL:  
 FINISH: BRIGHT NICKEL PLATED

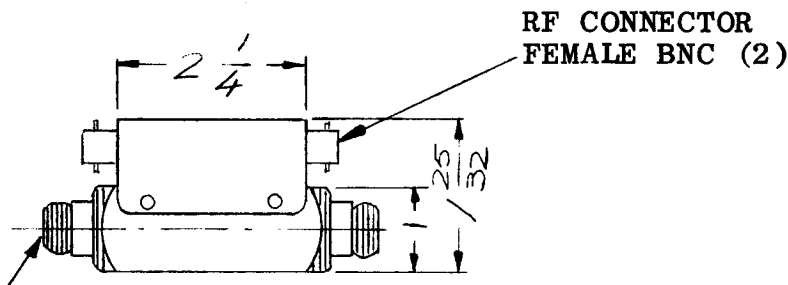


UNLESS OTHERWISE SPECIFIED DIMENSIONS ARE IN INCHES AND INCLUDE CHEMICALLY APPLIED OR PLATED FINISHES	REQ'D	ITEM	PART NUMBER	DESCRIPTION	SYM.
	LIST OF MATERIAL				
DECIMALS: .X ± .05, .XX ± .01, .XXX ± .005 FRACTIONS: 1/64, ANGLES: 0°-30'	FINAL APPROVAL		DATE	THE TECHNICAL MATERIEL CORP. MAMARONECK, NEW YORK  COUPLER, DIRECTIONAL	
MATERIAL	MECH. DES.	DATE	DATE		
FINISH	ELECT. DES.	DATE	DATE		
S401-164	CHECKED	DATE	DATE		
DRAWN		DATE		SIZE	CODE IDENT. NO.
G. EVANGELIST		4.5.69		A	82679
NOTICE TO PERSONS RECEIVING THIS DRAWING THE TECHNICAL MATERIEL CORPORATION claims proprietary right in the material disclosed hereon. This drawing is issued in confidence for engineering information only and may not be reproduced or used to manufacture anything shown hereon without permission from THE TECHNICAL MATERIEL CORPORATION to the user. This drawing is loaned for mutual assistance and is subject to recall at any time.			DWG NO. DC 8001	ISSUE Ø	SCALE SHEET OF

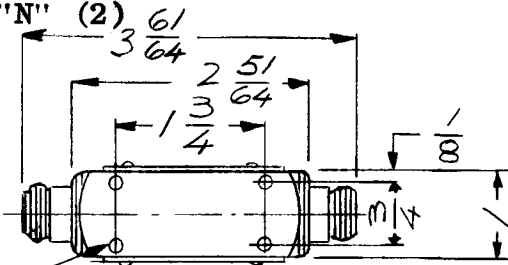
APPLICATION			REVISIONS						
QTY	MODEL USED ON	ASS'Y NO.	LTR	DESCRIPTION	DATE	E.M.N.NO	DRAFT	CHKD	APPD
	SPT3K/VHF	AX8080	Ø	ORIG RELEASE FOR PROD	4/16/69	-H-	CV		
	SPT3K/VHF	AX8088	A	RFL WAS 100W	3/13/70	19788	CV	<i>[Signature]</i>	

MFR (TMC CODE NO.): S401-164

TMC P/N	MFR P/N	FREQ. RANGE	POWER RANGES	
			RFL	FW
DC8002-1	4152E	30-150MHz	10W	25W
-2	4163V	150-350MHz	10W	25W



RF CONNECTOR  
FEMALE "N" (2)



#6-32 TAP  
4 HOLES

UNLESS OTHERWISE SPECIFIED DIMENSIONS ARE IN INCHES AND INCLUDE CHEMICALLY APPLIED OR PLATED FINISHES		REQ'D	ITEM	PART NUMBER	DESCRIPTION	SYM.	
DECIMALS .X ± .05 .XX ± .01 .XXX ± .005	FRACTIONS 1/64 ANGLES 0°-30°	LIST OF MATERIAL					
MATERIAL	FINAL APPROVAL	DATE	<b>THE TECHNICAL MATERIEL CORP.</b> MAMARONECK, NEW YORK  <i>DIRECTIONAL-COUPLER</i>				
FINISH	MECH. DES.	DATE					
	ELECT. DES.	DATE					
	CHECKED	DATE					
	DRAWN	DATE					
S401-164		NOTICE TO PERSONS RECEIVING THIS DRAWING THE TECHNICAL MATERIEL CORPORATION claims proprietary right in the material disclosed hereon. This drawing is issued in confidence for engineering information only and may not be reproduced or used to manufacture anything shown hereon without permission from THE TECHNICAL MATERIEL CORPORATION to the user. This drawing is loaned for mutual assistance and is subject to recall at any time.		SIZE A	CODE IDENT. NO. 82679	DWG NO. DC 8002	ISSUE A
SCALE			SHEET		OF		