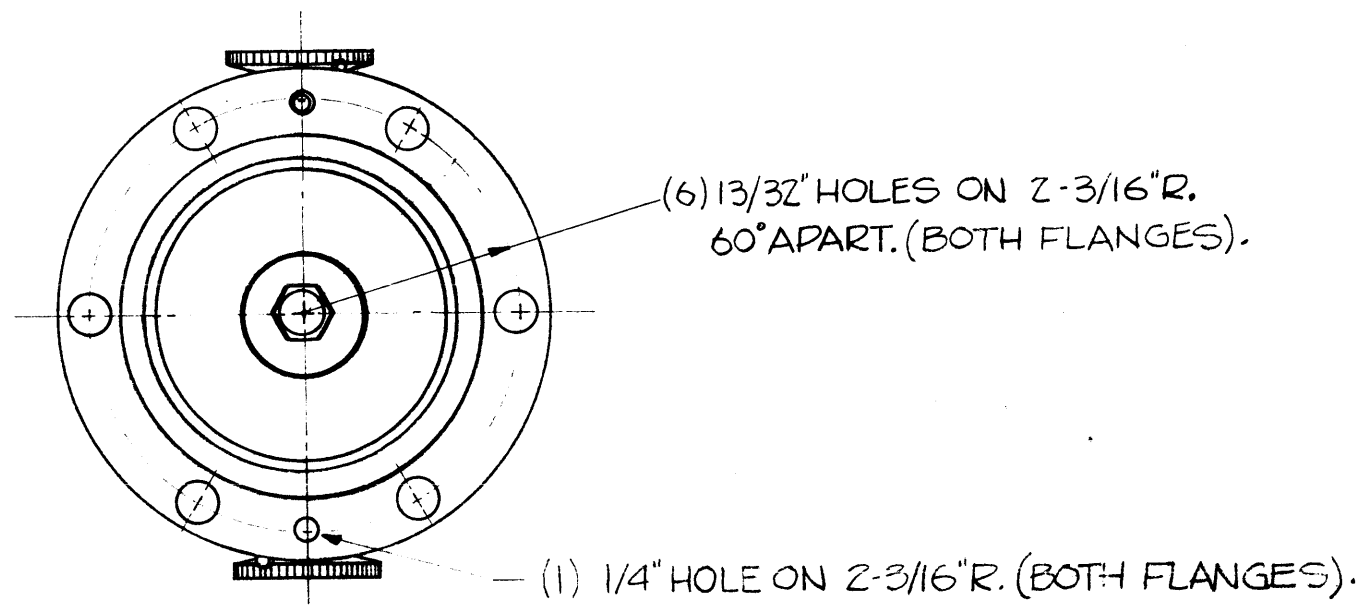
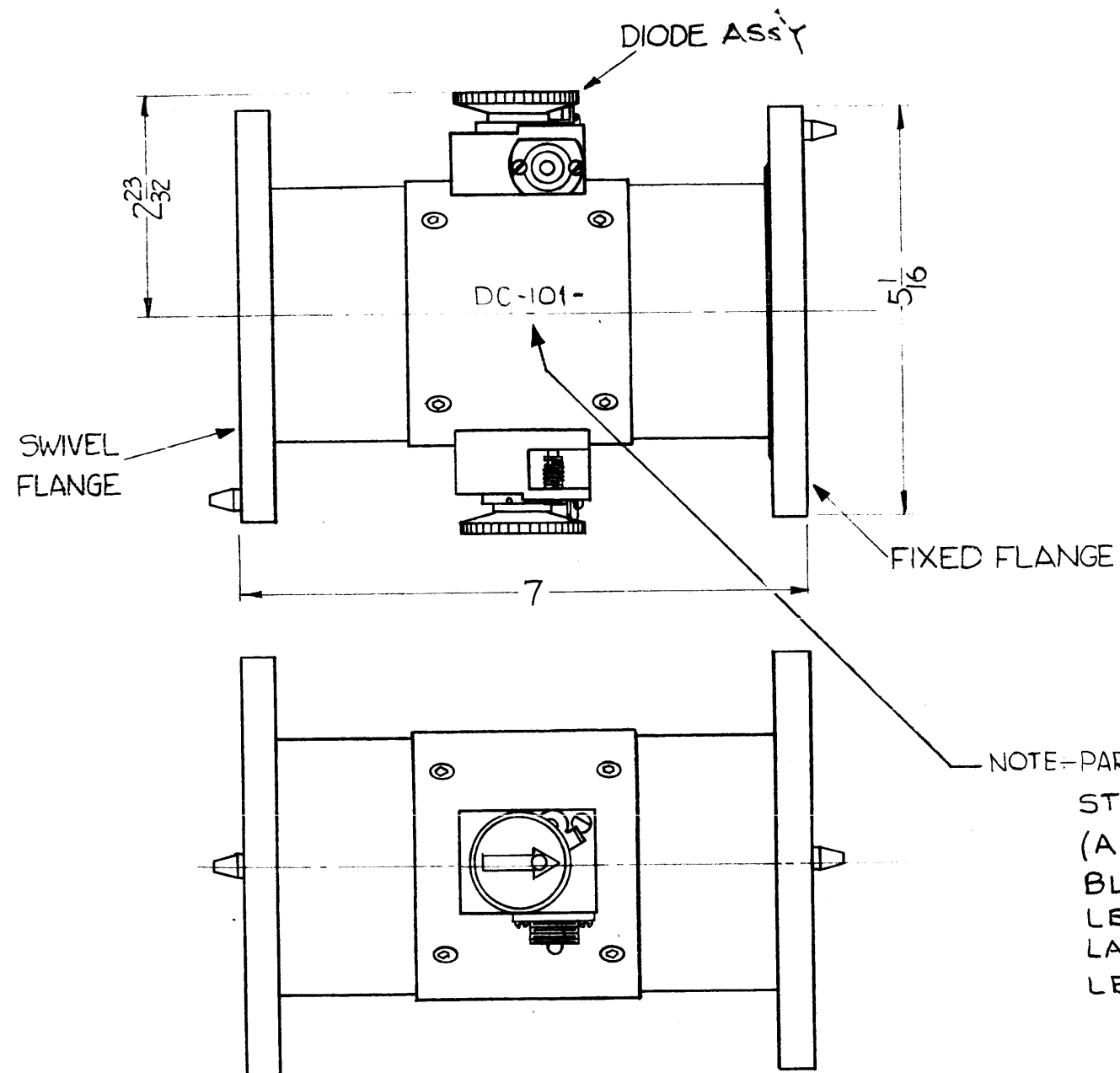


DC-101



NOTE - PART NO. TO BE STAMPED BY MFR. (APPROX. 1/8 HIGH BLACK GOTHIC LETTERING) WITH LATEST REVISION LETTER.

MANUFACTURER TO SUPPLY THE FOLLOWING:  
(2) Diode Ass'ys (TMC PART NO. DD-103).

ELECTRICAL SPECIFICATIONS  
Power - 60 kW  
Freq. - 2-30 Mc  
(Forward & Reflected Power Diodes Ass'y.)  
Impedance - 50 Ω

NOTE:  
SEE TMC DWG. NO. PL-192 FOR MATING CONNECTORS.

NOTICE TO PERSONS RECEIVING THIS DRAWING

THE TECHNICAL MATERIEL CORPORATION claims proprietary right in the material disclosed herein. This drawing is issued in confidence for manufacturing information only and may not be re-released or used to manufacture any thing shown hereon without permission from THE TECHNICAL MATERIEL CORPORATION to the user. This drawing is loaned for mutual assistance and is subject to recall at any time.

Property of:  
THE TECHNICAL MATERIEL CORPORATION  
MAMARONECK, NEW YORK

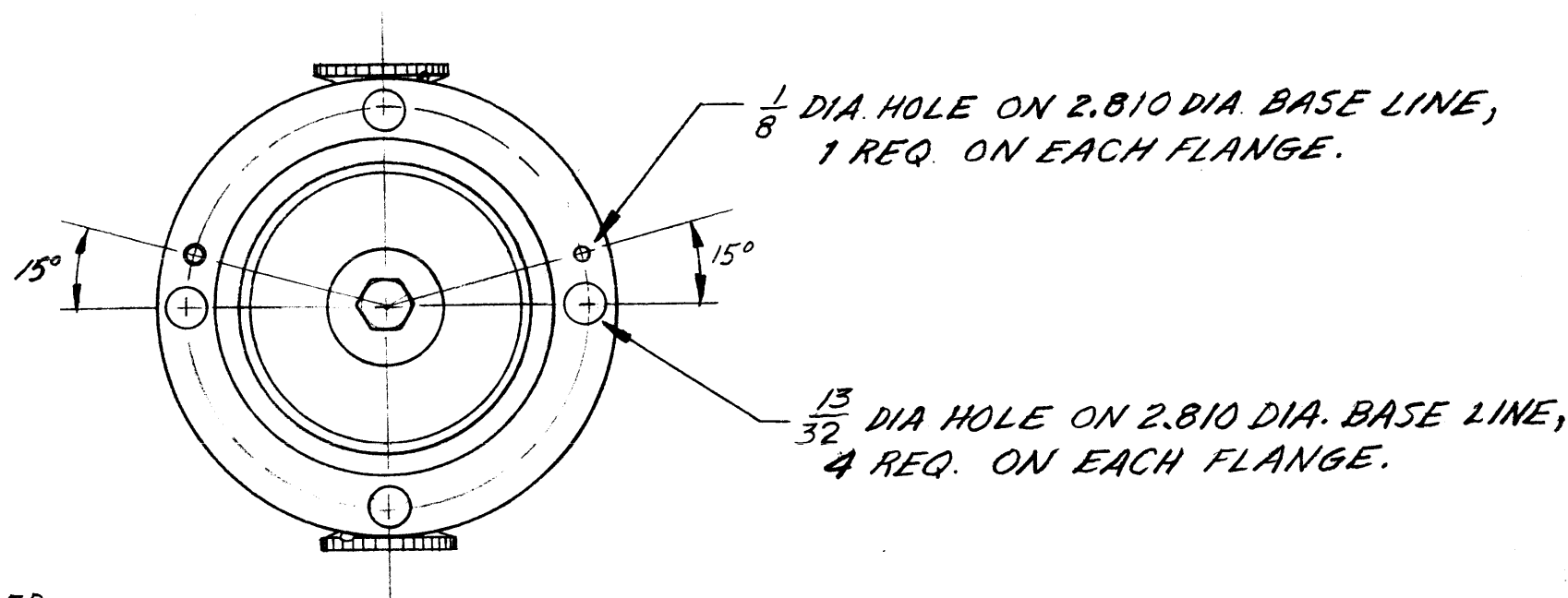
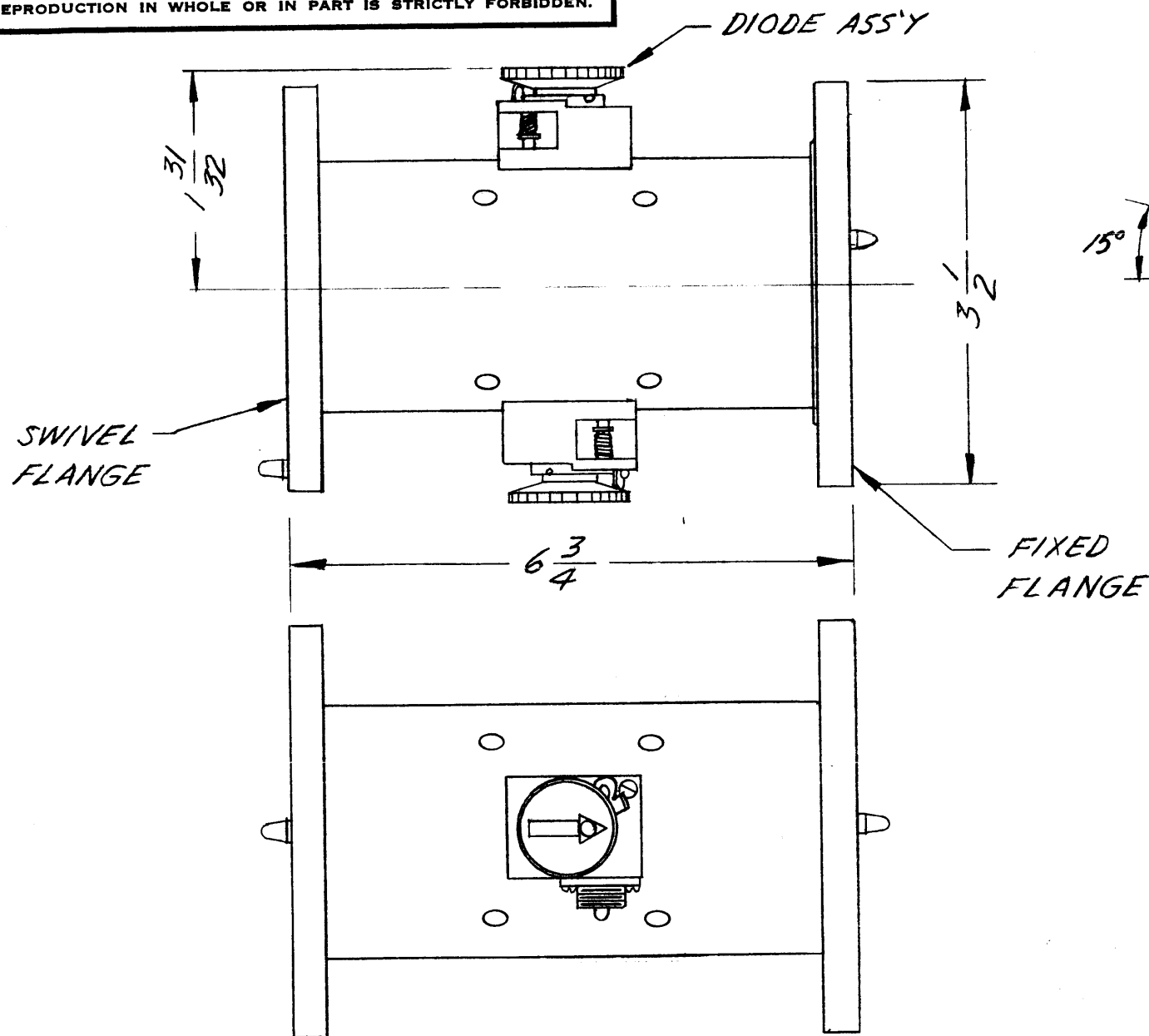
D	PART NO. STAMP WAS STEEL SERIAL NO. & STAMP. NOTE DELETED	12.21.64	13123	hbb	<i>[Signature]</i>	<i>[Signature]</i>
C	NOTE ADDED (SERIAL NO)	7-5-62	6877	SRG	<i>[Signature]</i>	<i>[Signature]</i>
B	NOTE ADDED UNDER ELEC. SPEC. RF CONNECTOR DELETED	1-17-61	3927	WAF	<i>[Signature]</i>	<i>[Signature]</i>
A	TMC PART NO. CHART DELETED NOTE DELETED	11/29/60	3612	<i>[Signature]</i>	<i>[Signature]</i>	<i>[Signature]</i>
SYM	DESCRIPTION	DATE	CH. NO.	DRAFTS	CHECKER	ENG. APP.
UNLESS OTHERWISE SPECIFIED:		SCALE: (4610)				
DIMENSIONS ARE IN INCHES		MAXIMUM ALLOWABLE TOLERANCES HAVE BEEN DETERMINED AND ANY DEVIATIONS WILL BE CAUSE FOR REJECTION.				
TOLERANCES ON FRACTIONS ± 1/64 DECIMALS ± .005 ANGLES ± 1/2°		REMOVE ALL BURRS AND SHARP EDGES				

1	GPT-40K			11-3-60
1	ACU			11-3-60
REQ. PER UNIT	MODEL	SECTION	ASSY. NO.	DATE
	USED ON			

REQ.	ITEM	PART NO.	DESCRIPTION	SYMBOL
			THE TECHNICAL MATERIEL CORP. MAMARONECK, NEW YORK	
STOCK SIZE			THRULINE DIRECTIONAL	
MATERIAL			WATT METER	
TYPE & TEMPER		HEAT TREAT. SPEC.	DRAWN	CHECKER
FINISH & SPEC. NO.		ELEC. DES. APP.	MECH. DES. APP.	FINAL APPROVAL
				DC-101
				D

THE CONTENTS OF THIS DRAWING ARE THE EXCLUSIVE PROPERTY OF THE TECHNICAL MATERIEL CORP. ITS UNAUTHORIZED USE OR REPRODUCTION IN WHOLE OR IN PART IS STRICTLY FORBIDDEN.

DC-102



MANUFACTURER TO SUPPLY THE FOLLOWING:  
(2) DIODE ASS'YS (TMC PART NO. DD-104).

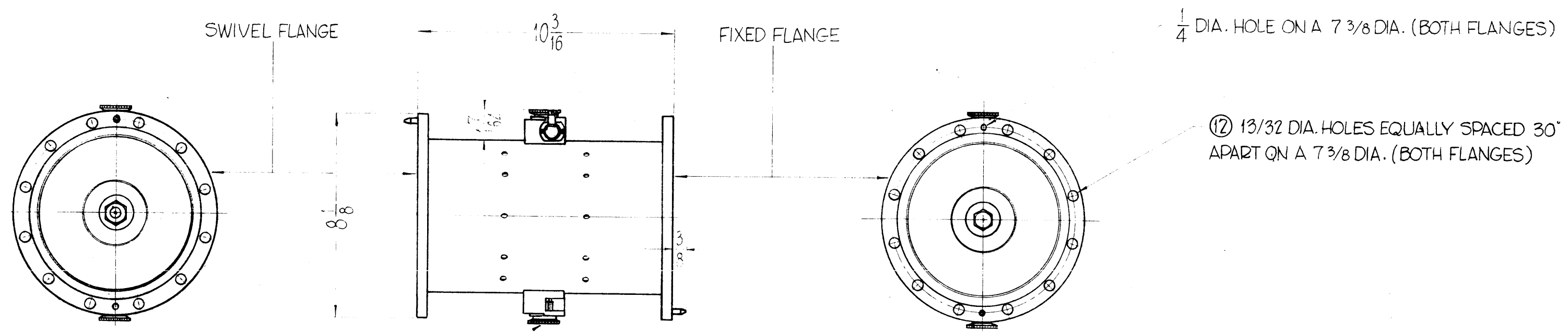
ELECTRICAL SPECIFICATIONS  
POWER - 10 KW  
FREQ. - 2-30 MC  
(FORWARD & REFLECTED POWER DIODES ASS'Y)  
IMPEDANCE - 50 Ω

A	13/32 HOLES WERE 13/16	626-63	8381	10	10	10
SYM	DESCRIPTION	DATE	CH. NO.	DRAFTS	CHECKER	ENG. APP.
UNLESS OTHERWISE SPECIFIED:		SCALE: 5401-164(4715)				
DIMENSIONS ARE IN INCHES		MAXIMUM ALLOWABLE TOLERANCES HAVE BEEN DETERMINED AND ANY DEVIATIONS WILL BE CAUSE FOR REJECTION. REMOVE ALL BURRS AND SHARP EDGES				
TOLERANCES ON		C				
FRACTIONS ± 1/64		DECIMALS ± .005				
		ANGLES ± 1/2°				

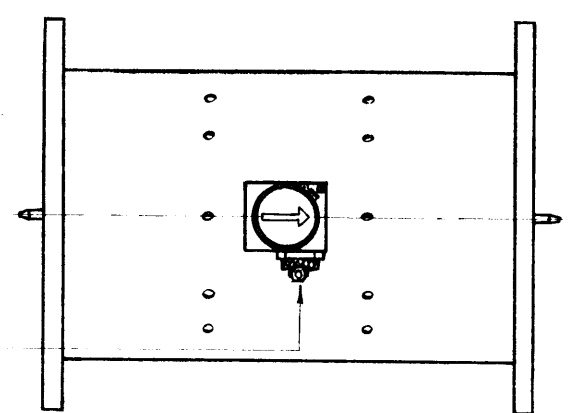
1	KIT-113		A-2233	12-6-61
REQ. PER UNIT	MODEL	SECTION	ASS'Y. NO.	DATE
USED ON				

REQ.	ITEM	PART NO.	DESCRIPTION	SYMBOL
			THE TECHNICAL MATERIEL CORP. MAMARONECK, NEW YORK	
STOCK SIZE			THRULINE DIRECTIONAL	
MATERIAL			WATT METER - 1 5/8	
TYPE & TEMPER			WH	JL
HEAT TREAT. SPEC.			DRWN	CHKD
FINISH & SPEC. NO.			DC-102	A
			ELEC. DES. APP.	MECH. DES. APP.

REVISIONS						
SYM	DESCRIPTION	DATE	E.M.N. NO.	DRAFT	CHKD	APPD
0	ORIGINAL RELEASE FOR PRODUCTION	5-27-64	0	A.M.		



DIODE ASSY (TMC NO. DD-106) 2 REQ'D



MATING CONNECTOR (2 REQ.)  
TMC NO. PL-192.

MANUFACTURED TO SUPPLY THE FOLLOWING:  
 (2) DIODE ASSYS (TMC NO. DD-106)  
 ELECTRICAL SPECIFICATIONS  
 POWER - 200 KW  
 FREQUENCY - 2 - 30 MC (FORWARD & REFLECTED POWER DIODES ASS'Y)  
 IMPEDENCE - 51.5 Ω  
 METER - TMC NO. MR-169.

NOTES

REQ'D.	ITEM	PART NUMBER	DESCRIPTION	SYMBOL
<b>LIST OF MATERIAL</b>				
MATERIAL			<b>THE TECHNICAL MATERIEL CORP.</b> MAMARONECK, NEW YORK	
FINISH			TITLE	
1	GPT-200K	AX-397	COUPLER, DIRECTIONAL 6-1/8"	
QTY./UNIT	MODEL USED ON	ASS'Y. NO.		
SCALE	CODE	5401-164 (490)		
#	C			

THE CONTENTS OF THIS DRAWING ARE THE EXCLUSIVE PROPERTY OF THE TECHNICAL MATERIEL CORP. ITS UNAUTHORIZED USE OR REPRODUCTION IN WHOLE OR IN PART IS STRICTLY FORBIDDEN.

DECIMALS	FRACTIONS	TOLERANCES	
.X ± .05	± 1/64	ANGLES ± 0° 30'	
.XX ± .01			
.XXX ± .005			

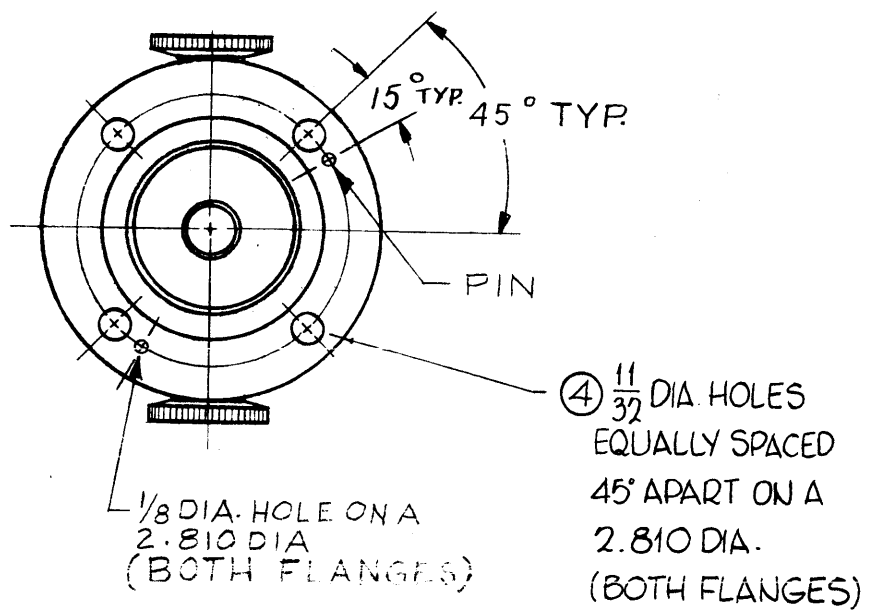
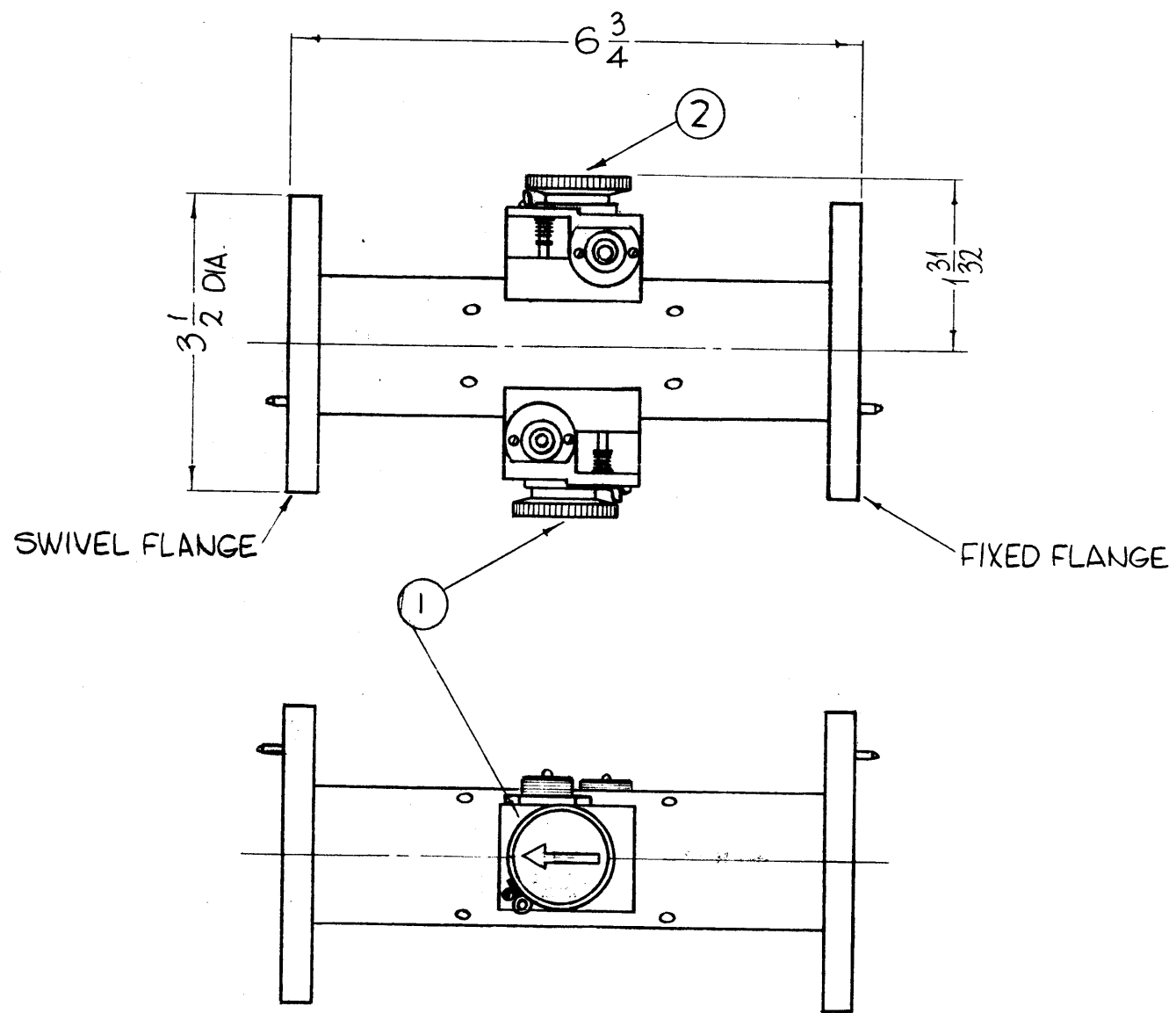
  

UNLESS OTHERWISE SPECIFIED DIMENSIONS ARE IN INCHES AND INCLUDE CHEMICALLY APPLIED OR PLATED FINISHES		DRAWN John C. Biele	DATE 6/8/62	FINAL APPROVAL <i>[Signature]</i>	DATE
CHECKED <i>[Signature]</i>		DATE			
ELECT. DES. <i>[Signature]</i>	DATE	DC-103			
MECH. DES. <i>[Signature]</i>	DATE 5/1/64	SHEET			REV. LTR. 0

CHART 1

TMC P/N	ITEM 1	ITEM 2
DC104	DD109-1	DD109-2
DC104-2	DD119-7	DD119-8
DC104-3	<del>   </del>	<del>   </del>

SYM	DESCRIPTION	DATE	E.M.N. NO.	DRAFT	CHKD	APPD
O	ORIGINAL RELEASE FOR PRODUCTION					
A	PINS RELOCATED, DET. ELEMENT NO'S CLARIFIED	5/8/64	NONE	A.M.		
B	ON DD109-1 ARROW REVERSED	5/27/66	16308	WFW		
C	ADD IT. 1 & 2 P/N & CALLOUTS	3-2-67	17877	RME		
D	REVISED & UPDATED	1-16-68	18725	HJY		FB
E	ADDED DC104-3 TO CHART 1	2-27-70	19762	GE	ND	FB



MFR TO SUPPLY DETECTING ELEMENT AS PER CHART 1

SEE APPROPRIATE DETECTING ELEMENT DWG FOR ELEC DATA

NOTES

1	GPT40K( )4 (AX510)	
1	GPT10K( )7 (AX509)	
1	KIT-161	
QTY./UNIT	MODEL USED ON	ASS'Y. NO.
SCALE	CODE	

THE CONTENTS OF THIS DRAWING ARE THE EXCLUSIVE PROPERTY OF THE TECHNICAL MATERIEL CORP. ITS UNAUTHORIZED USE OR REPRODUCTION IN WHOLE OR IN PART IS STRICTLY FORBIDDEN.

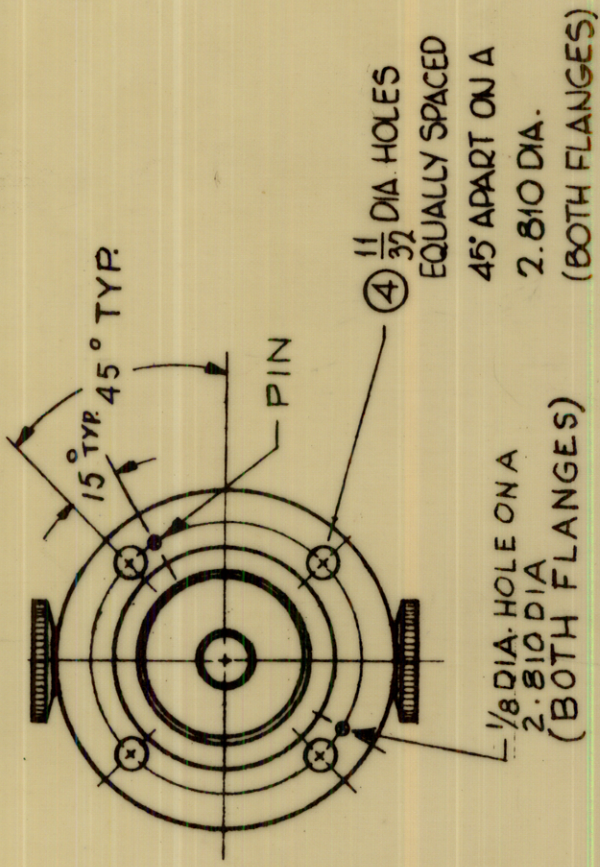
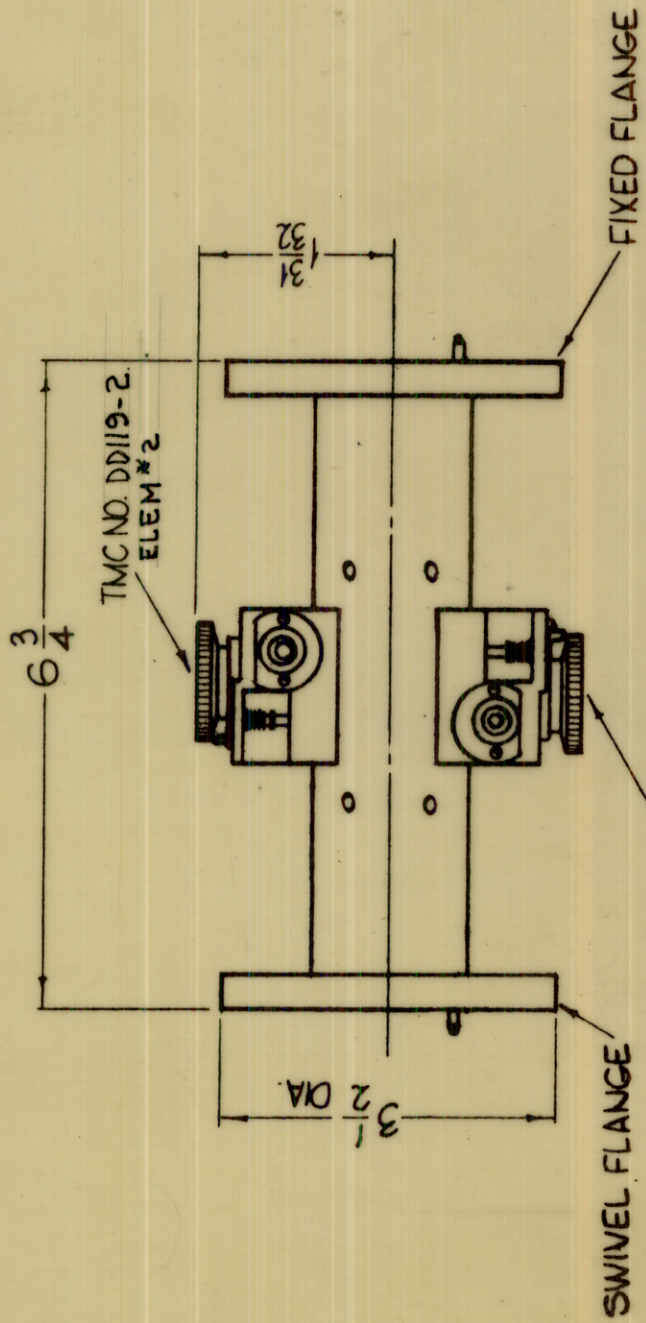
1	2	SEE CHART 1	DETECTING ELEMENT	
1	1	SEE CHART 1	DETECTING ELEMENT	
REQ'D.	ITEM	PART NUMBER	DESCRIPTION	SYMBOL

F. BUDETTI		LIST OF MATERIAL		
MATERIAL		THE TECHNICAL MATERIEL CORP. MAMARONECK, NEW YORK		
FINISH		TITLE COUPLER, DIRECTIONAL 1-5/8, 50 OHM.		
UNLESS OTHERWISE SPECIFIED DIMENSIONS ARE IN INCHES AND INCLUDE CHEMICALLY APPLIED OR PLATED FINISHES		DRAWN John C. Biele CHECKED ELECT. DES. MECH. DES.	DATE 10-11-63 DATE 3/11/69	FINAL APPROVAL DATE DC 104
DECIMALS .X ± .05 .XX ± .01 .XXX ± .005	TOLERANCES	FRACTIONS ± 1/64 ANGLES ± 0° 30'	SHEET	REV. LTR E

REVISIONS

SYM	DESCRIPTION	DATE	E.M.N. NO.	DRAFT	CHKD	APPD
X	EXPER. RELEASE	12-28-64	X	92		
Ø	ORIGINAL RELEASE FOR PRODUCTION	1-14-65	Ø	92		

DC105



TMC PART NUMBER	ELEM # 1	POWER	FREQ.	ELEM # 2	POWER	FREQ.
DC105-1	DD119-1	10 KW	2-30 MC	DD119-2	5 KW	2-30 MC

CONSISTS OF 1 EACH DETECTING ELEMENTS

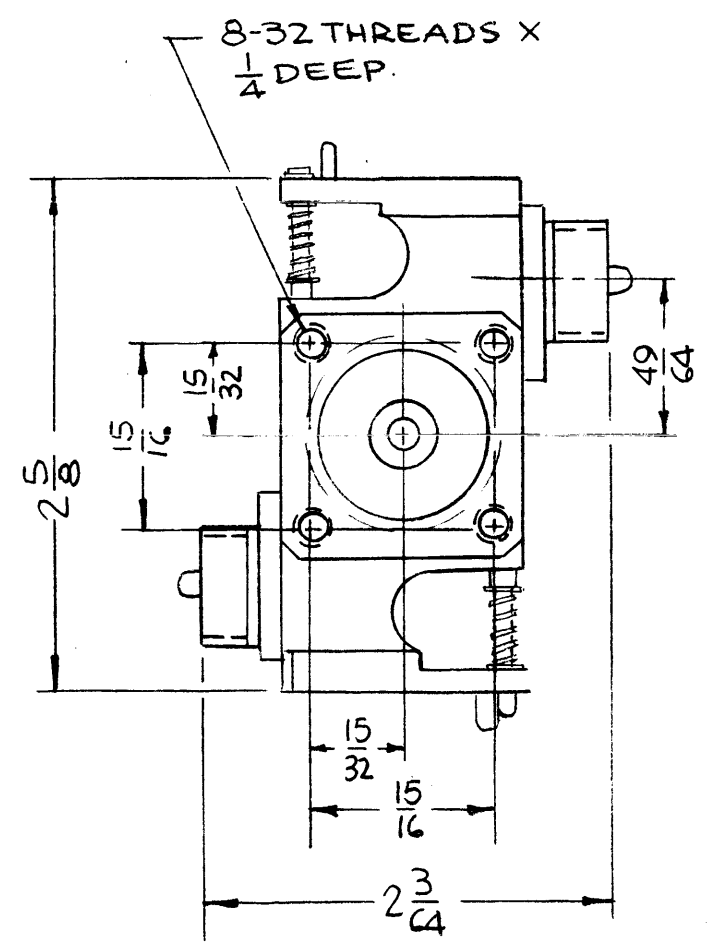
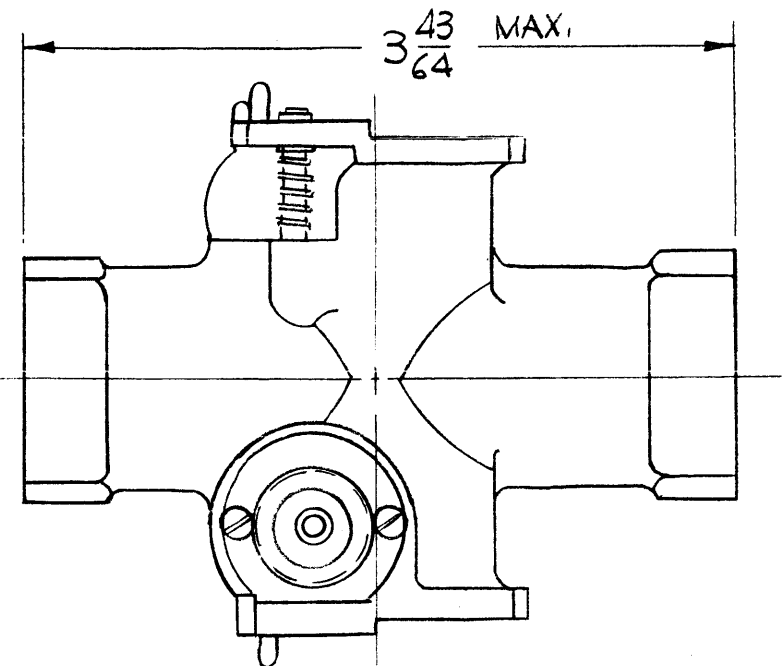
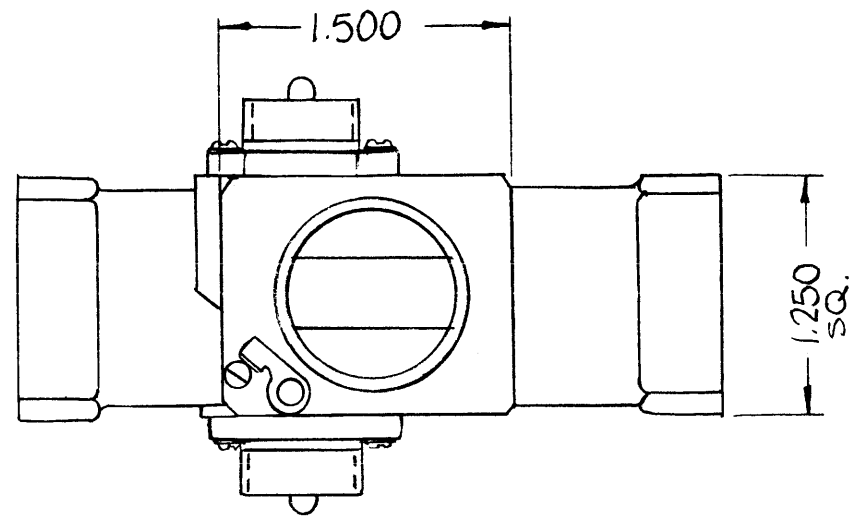
MFR TO SUPPLY THE FOLLOWING:  
 1 DETECTING ELEMENT TMC NO. DD119-1.  
 1 DETECTING ELEMENT TMC NO. DD119-2.

REQ'D.	ITEM	PART NUMBER	DESCRIPTION	SYMBOL
	F. BUDETTI		LIST OF MATERIAL	
			THE TECHNICAL MATERIEL CORP. MAMARONECK, NEW YORK	
			COUPLER, DIRECTIONAL 1-5/8" 50 ØHM.	
			DATE 12-28-64	DATE
			CHECKED BY [Signature]	DATE
			ELECT BY [Signature]	DATE
			MECH. DES [Signature]	DATE
			DC105	Ø

1 SWR-10K  
 QTY./UNIT MODEL USED ON  
 SCALE CODE A

THE CONTENTS OF THIS DRAWING ARE THE EXCLUSIVE PROPERTY OF THE TECHNICAL MATERIEL CORP. ITS UNAUTHORIZED USE OR REPRODUCTION IN WHOLE OR IN PART IS STRICTLY FORBIDDEN.

NOTES



DC106

REVISIONS

SYM	DESCRIPTION	DATE	E.M.N. NO.	DRAFT	CHKD	APPD
X	EXP. RELEASE	10-20-66	X	<i>[Signature]</i>		
Ø	ORIGINAL RELEASE FOR PRODUCTION	1-9-67	<del>X</del>	<i>[Signature]</i>		

ELECTRICAL SPECIFICATIONS

FREQ. RANGE: 2-30 MC  
 IMPEDANCE: 50Ω  
 POWER RATING: 8 KW AVERAGE 20 KW PEAK  
 USED WITH DIODE ELEMENTS: DD 119-3 AND/OR DD 119-4  
 LINE CONNECTOR: JJ332 (HN), JJ 334 (LC)  
 OTHER LINE CONNECTORS WHICH MAY BE USED ARE BNC, C, N, UHF  
 METER CONNECTORS: PL254 OR PL192  
 DIODES AND CONNECTORS TO BE PURCHASED SEPERATELY  
 FINISH: PLAIN SILVER PLATE

NOTES

1	TST ( ) 2.5K	
Q'TY./UNIT	MODEL USED ON	ASS'Y. NO.
—	C 3401-164 (423053)	

THE CONTENTS OF THIS DRAWING ARE THE EXCLUSIVE PROPERTY OF THE TECHNICAL MATERIEL CORP. ITS UNAUTHORIZED USE OR REPRODUCTION IN WHOLE OR IN PART IS STRICTLY FORBIDDEN.

REQ'D.	ITEM	PART NUMBER	DESCRIPTION	SYMBOL
F. BUDETTI LIST OF MATERIAL				
MATERIAL			THE TECHNICAL MATERIEL CORP. MAMARONECK, NEW YORK	
FINISH			TITLE COUPLER, DIRECTIONAL	
UNLESS OTHERWISE SPECIFIED DIMENSIONS ARE IN INCHES AND INCLUDE CHEMICALLY APPLIED OR PLATED FINISHES			DRAWN <i>[Signature]</i> DATE 10-20-66	FINAL APPROVAL <i>[Signature]</i> DATE 1/9/67
DECIMALS .X ± .05 .XX ± .01 .XXX ± .005			TOLERANCES ± 1/64 ANGLES ± 0° 30'	ELECT. DES. <i>[Signature]</i> DATE MECH. DES. <i>[Signature]</i> DATE
			DC106	Ø
			SHEET	REV. LTR.

MIL *[Signature]* 1-10-67