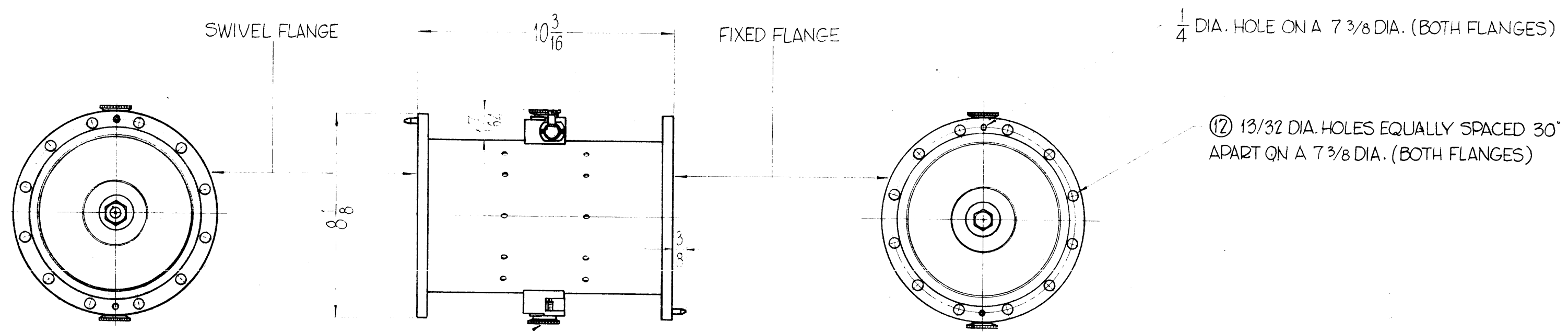
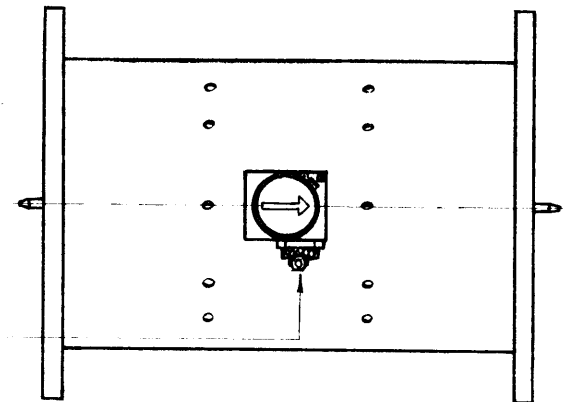


REVISIONS						
SYM	DESCRIPTION	DATE	E.M.N. NO.	DRAFT	CHKD	APPD
0	ORIGINAL RELEASE FOR PRODUCTION	5-27-64	0	A.M.		



DIODE ASSY (TMC NO. DD-106) 2 REQ'D

MATING CONNECTOR (2 REQ.)  
TMC NO. PL-192.



MANUFACTURED TO SUPPLY THE FOLLOWING:  
 (2) DIODE ASSYS (TMC NO. DD-106)  
 ELECTRICAL SPECIFICATIONS  
 POWER - 200 KW  
 FREQUENCY - 2 - 30 MC (FORWARD & REFLECTED POWER DIODES ASS'Y)  
 IMPEDENCE - 51.5 Ω  
 METER - TMC NO. MR-169.

NOTES

REQ'D.	ITEM	PART NUMBER	DESCRIPTION	SYMBOL
<b>LIST OF MATERIAL</b>				
MATERIAL			<b>THE TECHNICAL MATERIEL CORP. MAMARONECK, NEW YORK</b>	
FINISH			TITLE	
			COUPLER, DIRECTIONAL 6-1/8"	
UNLESS OTHERWISE SPECIFIED DIMENSIONS ARE IN INCHES AND INCLUDE CHEMICALLY APPLIED OR PLATED FINISHES			DRAWN John C. Biele	DATE 6/8/62
DECIMALS .X ± .05 .XX ± .01 .XXX ± .005			CHECKED aa	DATE
FRACTIONS ± 1/64 ANGLES ± 0° 30'			FINAL APPROVAL [Signature]	
TOLERANCES			DATE 5/1/64	
THE CONTENTS OF THIS DRAWING ARE THE EXCLUSIVE PROPERTY OF THE TECHNICAL MATERIEL CORP. ITS UNAUTHORIZED USE OR REPRODUCTION IN WHOLE OR IN PART IS STRICTLY FORBIDDEN.			SHEET	

QTY./UNIT	MODEL USED ON	ASS'Y. NO.
1	GPT-200K	AX-397
SCALE	CODE	
#	C	5401-164 (490)

DECIMALS	FRACTIONS
.X ± .05	± 1/64
.XX ± .01	ANGLES
.XXX ± .005	± 0° 30'

ELECT. DES.	DATE	REV. LTR.
[Signature]		0
MECH. DES.	DATE	
[Signature]	5/1/64	