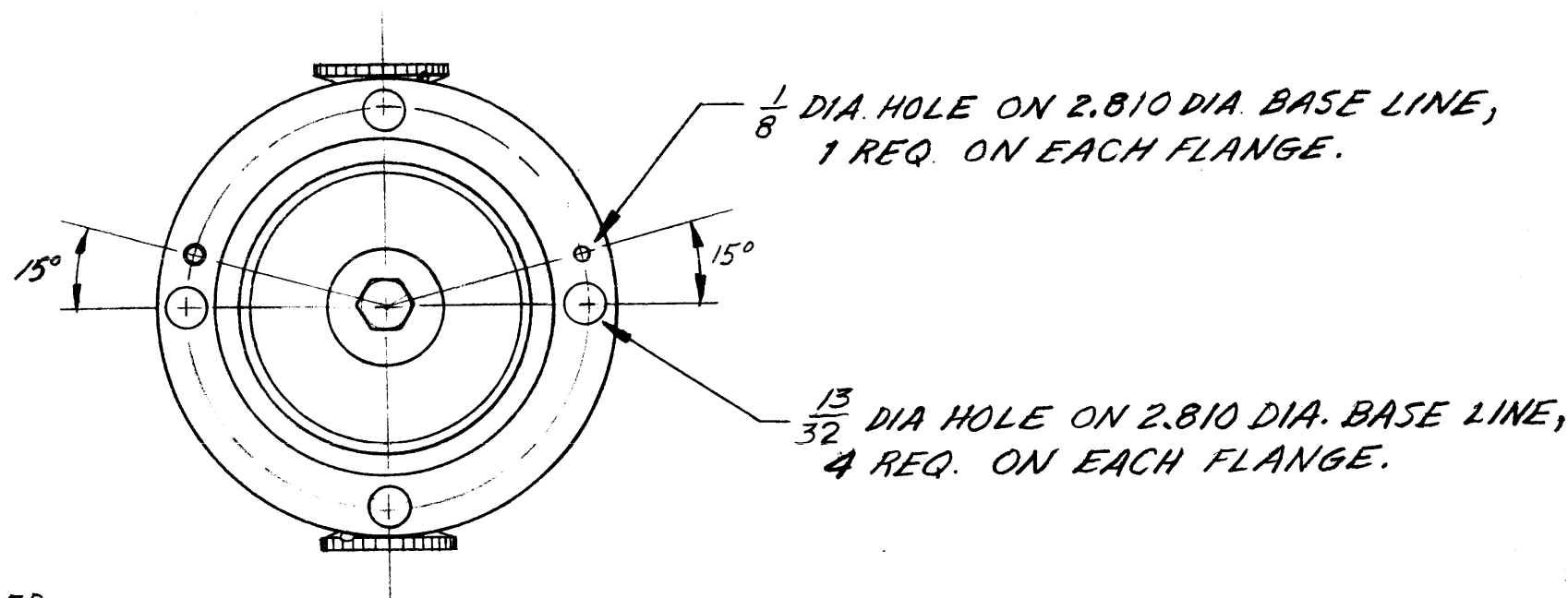
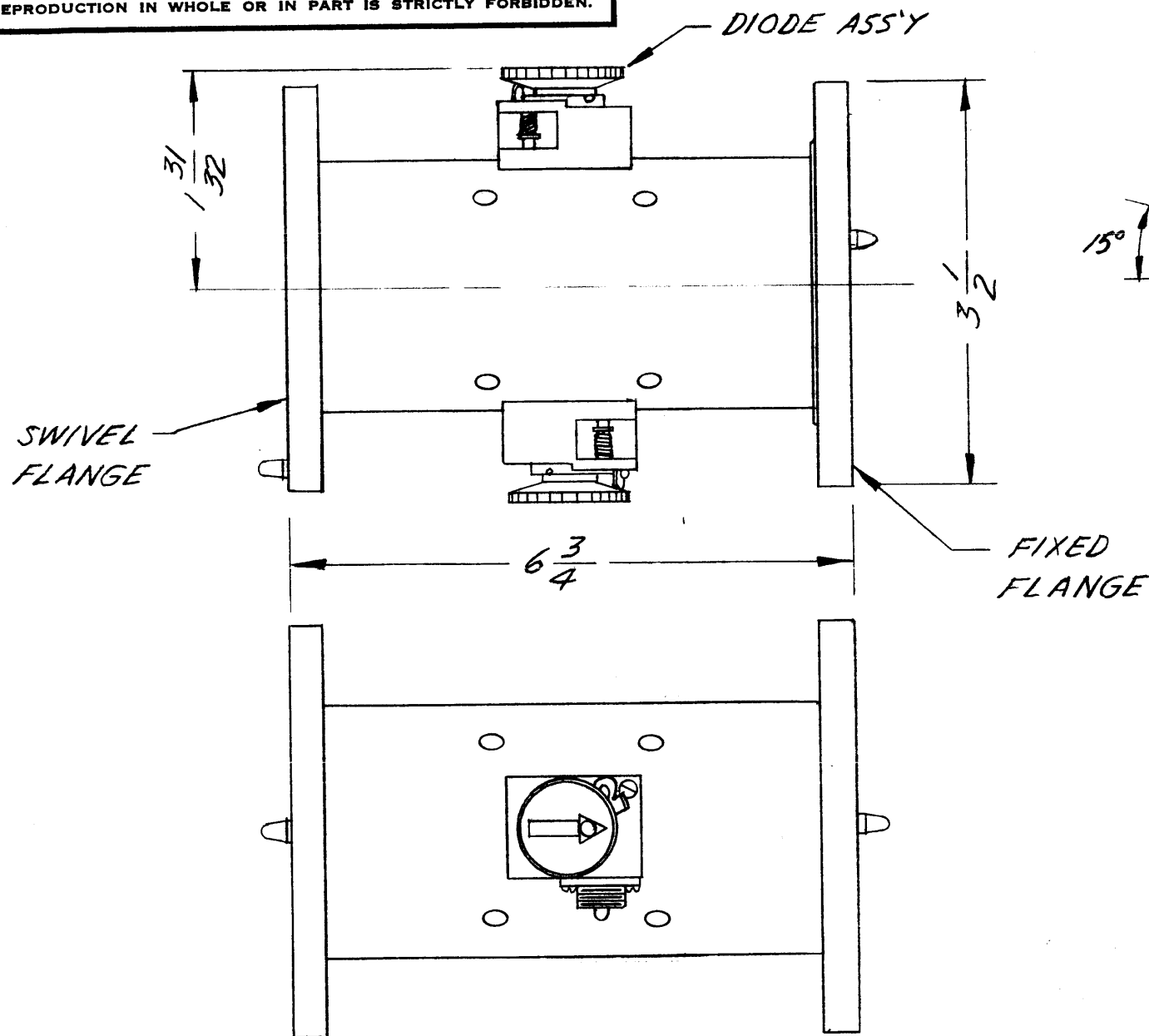


THE CONTENTS OF THIS DRAWING ARE THE EXCLUSIVE PROPERTY OF THE TECHNICAL MATERIEL CORP. ITS UNAUTHORIZED USE OR REPRODUCTION IN WHOLE OR IN PART IS STRICTLY FORBIDDEN.

DC-102



MANUFACTURER TO SUPPLY THE FOLLOWING:  
(2) DIODE ASS'YS (TMC PART NO. DD-104).

ELECTRICAL SPECIFICATIONS  
POWER - 10 KW  
FREQ. - 2-30 MC  
(FORWARD & REFLECTED POWER DIODES ASS'Y)  
IMPEDANCE - 50 Ω

A	13/32 HOLES WERE 13/16	626-63	8381	10	10	10
SYM	DESCRIPTION	DATE	CH. NO.	DRAFTS	CHECKER	ENG. APP.
UNLESS OTHERWISE SPECIFIED:		SCALE: 5401-164(4715)				
DIMENSIONS ARE IN INCHES		MAXIMUM ALLOWABLE TOLERANCES HAVE BEEN DETERMINED AND ANY DEVIATIONS WILL BE CAUSE FOR REJECTION. REMOVE ALL BURRS AND SHARP EDGES				
TOLERANCES ON		C				
FRACTIONS ± 1/64		DECIMALS ± .005				
		ANGLES ± 1/2°				

1	KIT-113		A-2233	12-6-61
REQ. PER UNIT	MODEL	SECTION	ASS'Y. NO.	DATE
USED ON				

REQ.	ITEM	PART NO.	DESCRIPTION	SYMBOL
			THE TECHNICAL MATERIEL CORP. MAMARONECK, NEW YORK	
STOCK SIZE			THRULINE DIRECTIONAL	
MATERIAL			WATT METER - 1 5/8	
TYPE & TEMPER			WH	JL
HEAT TREAT. SPEC.			DRWN	CHKD
FINISH & SPEC. NO.			DC-102	A
			ELEC. DES. APP.	MECH. DES. APP.