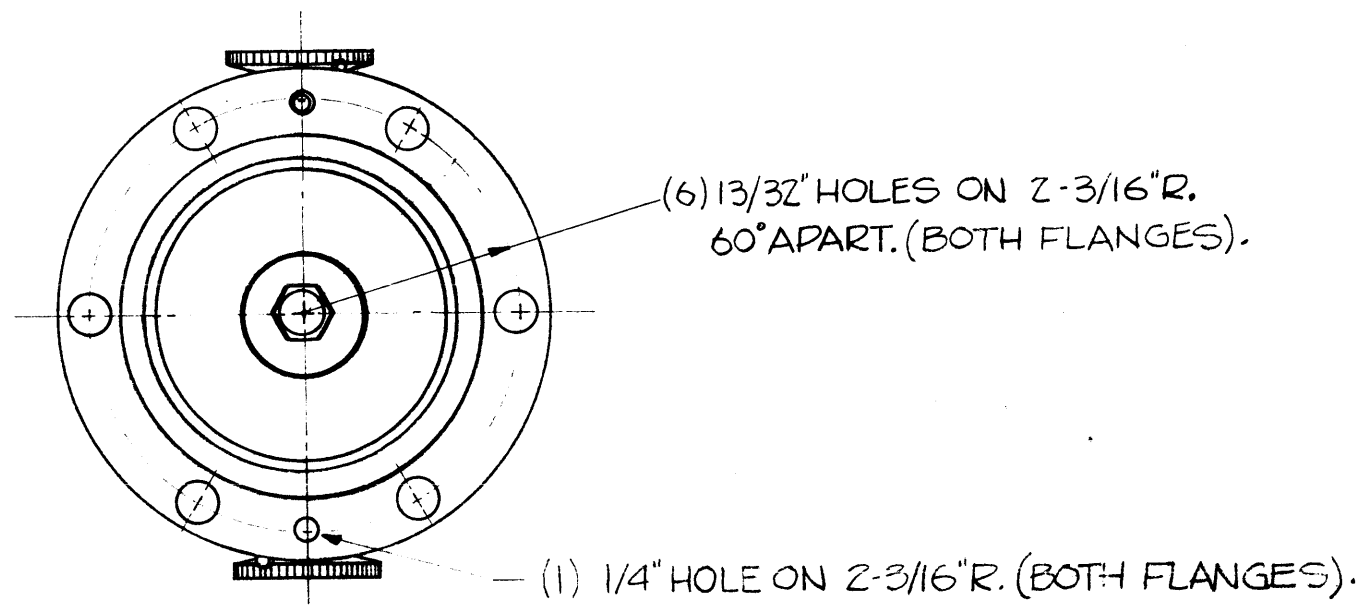
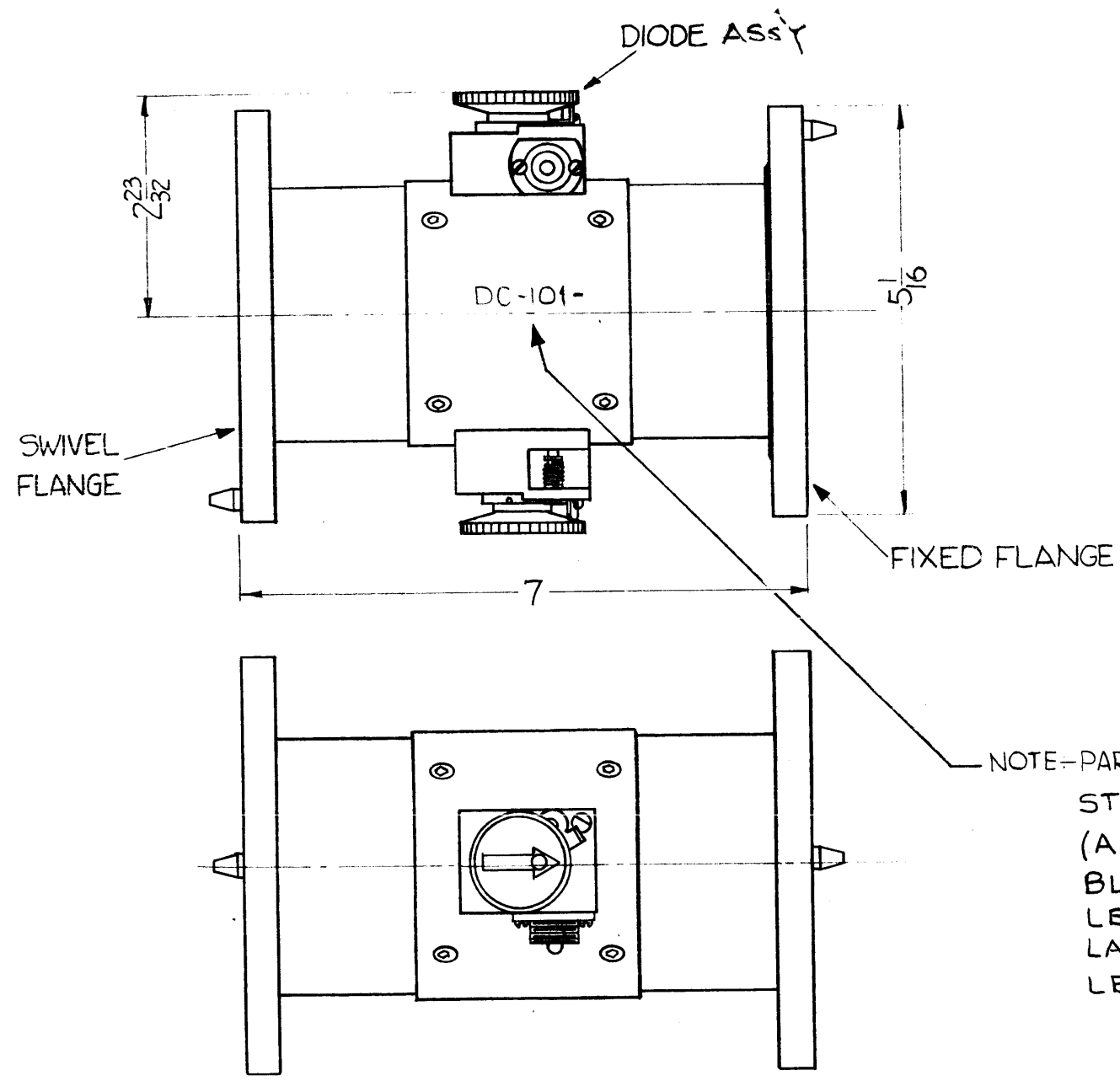


DC-101



NOTE - PART NO. TO BE STAMPED BY MFR. (APPROX. 1/8 HIGH BLACK GOTHIC LETTERING) WITH LATEST REVISION LETTER.

MANUFACTURER TO SUPPLY THE FOLLOWING:
(2) Diode Ass'ys (TMC PART NO. DD-103).

ELECTRICAL SPECIFICATIONS
Power - 60 kW
Freq. - 2-30 Mc
(Forward & Reflected Power Diodes Ass'y.)
Impedance - 50 Ω

NOTE:
SEE TMC DWG. NO. PL-192 FOR MATING CONNECTORS.

NOTICE TO PERSONS RECEIVING THIS DRAWING

THE TECHNICAL MATERIEL CORPORATION claims proprietary right in the material disclosed herein. This drawing is issued in confidence for manufacturing information only and may not be re-released or used to manufacture any item shown hereon without permission from THE TECHNICAL MATERIEL CORPORATION to the user. This drawing is loaned for mutual assistance and is subject to recall at any time.

Property of:
THE TECHNICAL MATERIEL CORPORATION
MAMARONECK, NEW YORK

D	PART NO. STAMP WAS STEEL SERIAL NO. & STAMP. NOTE DELETED	12.21.64	13123	hbb	<i>[Signature]</i>	<i>[Signature]</i>
C	NOTE ADDED (SERIAL NO)	7-5-62	6877	SRG	<i>[Signature]</i>	<i>[Signature]</i>
B	NOTE ADDED UNDER ELEC. SPEC. RF CONNECTOR DELETED	1-17-61	3927	WAF	<i>[Signature]</i>	<i>[Signature]</i>
A	TMC PART NO. CHART DELETED NOTE DELETED	11/29/60	3612	<i>[Signature]</i>	<i>[Signature]</i>	<i>[Signature]</i>
SYM	DESCRIPTION	DATE	CH. NO.	DRAFTS	CHECKER	ENG. APP.
UNLESS OTHERWISE SPECIFIED:		SCALE: (4610)				
DIMENSIONS ARE IN INCHES		MAXIMUM ALLOWABLE TOLERANCES HAVE BEEN DETERMINED AND ANY DEVIATIONS WILL BE CAUSE FOR REJECTION.				
TOLERANCES ON FRACTIONS ± 1/64 DECIMALS ± .005 ANGLES ± 1/2°		REMOVE ALL BURRS AND SHARP EDGES				

1	GPT-40K			11-3-60
1	ACU			11-3-60
REQ. PER UNIT	MODEL	SECTION	ASSY. NO.	DATE
	USED ON			

REQ.	ITEM	PART NO.	DESCRIPTION	SYMBOL
			THE TECHNICAL MATERIEL CORP. MAMARONECK, NEW YORK	
			THRULINE DIRECTIONAL WATT METER	
			<i>[Signature]</i>	<i>[Signature]</i>
			DRAWN	CHECKER
				FINAL APPROVAL
				DC-101
			ELEC. DES. APP.	MECH. DES. APP.
				D