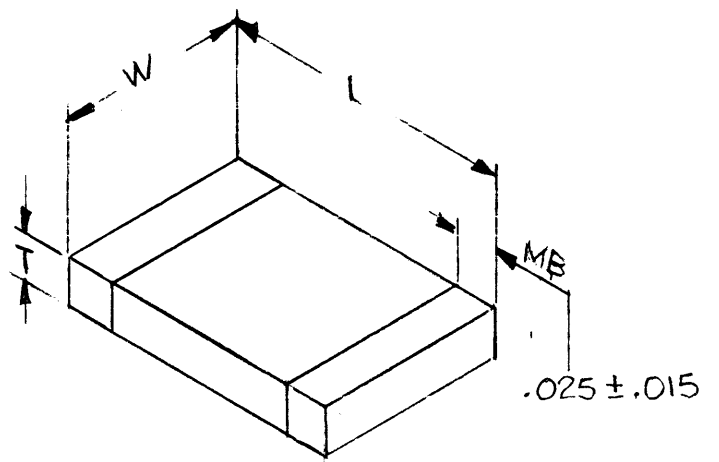


TMC PART NO.	DIMENSION - INCHES			CAPACITANCE RANGE - PF									
	L	W	T MAX	NPO			BX OR X7R				Z5U		
				MIN CAP	200V MAX	50 OR 100V MAX	MIN CAP	200V MAX	100V MAX	50V MAX	MIN CAP	100V MAX	50V MAX
CX132-	.120 ± .015	.100 ± .015	.060	1	1,000	2,200	470	3,900	18,000	100,000	5,600	22,000	120,000

REVISIONS						DATE	APPROVED
E.M.N. NO.	DRAFT	CHKD	ZONE	LTR	DESCRIPTION		
	G.D.L.			①	ORIGINAL RELEASE FOR PRODUCTION	1-25-77	*



**CX132- C 471 K I G A H**

TMC PART NO. —

**SPECIFICATION**  
 C = COMMERCIAL  
 E = KEMET ESTABLISHED RELIABILITY  
 P = MIL-C-55681A

**CAPACITANCE CODE**  
 EXPRESSED IN PICO FARADS  
 FIRST TWO DIGIT - SIGNIFICANT FIGS.  
 THIRD DIGIT NO. OF ZEROS. (USE 9 FOR 1.0)  
 THRU 9.9 pF. EX. 2.2 pF - 229

**CAPACITANCE TOLERANCE**  
 K = ± 10%    C = ± 0.25 pF    G = + 2%    Z = 80% - 20%  
 M = ± 20%    D = ± 0.5 pF    H = ± 3%    X = OTHER  
 P = (GMV)    F = ± 1%    J = ± 5%

**VOLTAGE**  
 1 = 100    5 = 50  
 2 = 200    0 = OTHER  
 3 = 25

**DIELECTRIC**  
 DESIGNATED BY CAPACITANCE CHANGE OVER TEMPERATURE RANGE  
 G - NPO (± 30 PPM/°C)  
 R - BR (± 15%; +15, -40 / WITH BIAS)  
 U - Z5U (+22% - 56%)  
 X - BX (± 15%; +15, -25% WITH BIAS)

**END METALLIZING**  
 H = SOLDER GUARD (STANDARD TINNED)  
 T = SILVER    G = GOLD PLATED  
 V = PALLADIUM SILVER (STANDARD - UNTINNED)  
 W = PALLADIUM GOLD  
 Y = PALLADIUM SILVER (SOLDER COATED)  
 Z = OTHER

**FAILURE RATE LEVEL (% 1000 HRS)**  
 A = STANDARD FOR "C" & "E" SPECS.  
 M = 1.0 } M.P. & R FAILURE RATES  
 P = 0.1 } REFER TO MIL-C-55681  
 R = 0.01 } CHIPS ONLY

GPR-110 A		
QTY / UNIT	MODEL USED ON	ASS'Y NO.
APPLICATION		
CODE		
NOTICE TO PERSONS RECEIVING THIS DRAWING THE TECHNICAL MATERIEL CORPORATION claims proprietary right in the material disclosed hereon. This drawing is issued in confidence for engineering information only and may not be reproduced or used to manufacture anything shown hereon without permission from THE TECHNICAL MATERIEL CORPORATION to the user. This drawing is loaned for mutual assistance and is subject to recall at any time.		

UNLESS OTHERWISE SPECIFIED DIMENSIONS ARE IN INCHES AND INCLUDE CHEMICALLY APPLIED OR PLATED FINISHES		FINAL APPROVAL <i>G.D.L.</i>	DATE <i>9/25/77</i>
DECIMALS	FRACTIONS	MECH. DES.	DATE
.X ± .05	1/64	ELECT. DES.	DATE
.XX ± .01	TOLS. ANGLES	CHECKED	DATE
.XXX ± .005	0° - 30'	DRAWN G.D.L.	DATE 9-2-76
MATERIAL			
FINISH			

REQ'D	ITEM	PART NUMBER	DESCRIPTION	SYM.
LIST OF MATERIAL				
THE TECHNICAL MATERIEL CORP. MAMARONECK, NEW YORK				
CAPACITOR FXD, CER CHIP				
SIZE	CODE IDENT. NO.	DWG NO.	ISSUE	
B	82679	CX132	①	
SCALE		SHEET	OF	