

5

4

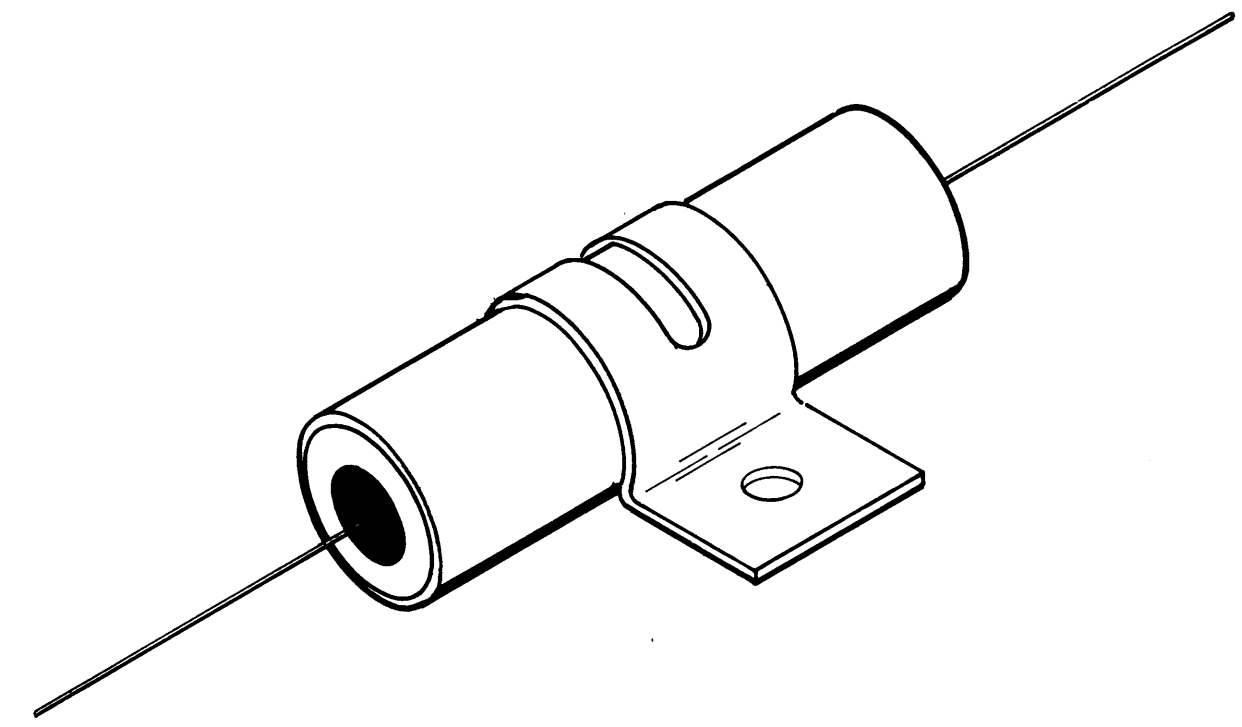
3

2

1

REVISIONS						
ZONE	LTR	DESCRIPTION	DATE	E.M.N.NO	DRAFT	CHKD APPD
	Ø	ORIGINAL RELEASE	1-10-77		GDL	*

SPRAGUE NO. I2IP5050IR5T13
 50uf 150 VDC



OBSOLETE

1	AX5130	
QTY / UNIT	MODEL USED ON	ASS'Y NO.
APPLICATION		
	CODE	

NOTICE TO PERSONS RECEIVING THIS DRAWING
 THE TECHNICAL MATERIEL CORPORATION claims proprietary right in the material disclosed hereon. This drawing is issued in confidence for engineering information only and may not be reproduced or used to manufacture anything shown hereon without permission from THE TECHNICAL MATERIEL CORPORATION to the user. This drawing is loaned for mutual assistance and is subject to recall at any time.

UNLESS OTHERWISE SPECIFIED DIMENSIONS ARE IN INCHES AND INCLUDE CHEMICALLY APPLIED OR PLATED FINISHES

DECIMALS	FRACTIONS	TOLS.	ANGLES
.X ± .05	1/64		
.XX ± .01			
.XXX ± .005			0° -30'

MATERIAL

FINISH

REQ'D	ITEM	PART NUMBER	DESCRIPTION	SYM.
LIST OF MATERIAL				
THE TECHNICAL MATERIEL CORP. MAMARONECK, NEW YORK				
<i>CAPACITOR, METALLIZED</i> <i>PAPER - HERMETICALLY SLD.</i>				
FINAL APPROVAL	<i>EAR</i>	DATE		
MECH. DES.		DATE		
ELECT. DES.		DATE		
CHECKED		DATE		
DRAWN	<i>EVANGELIST</i>	DATE		
			SIZE	CODE IDENT. NO.
			B	82679
			DWG NO.	ISSUE
			<i>CX131</i>	Ø
SCALE <i>NTS</i>			SHEET	OF

5

4

3

2

1