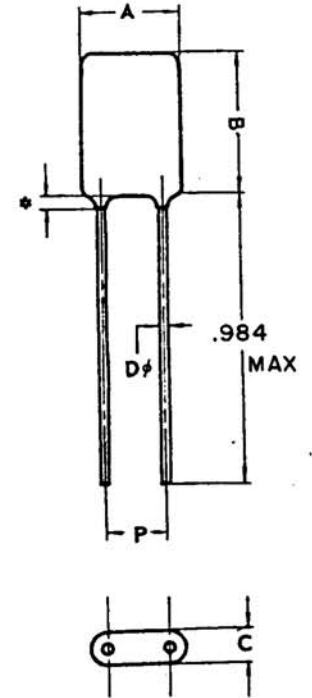


APPLICATION			REVISIONS						
QTY	MODEL USED ON	ASS'Y NO.	LTR	DESCRIPTION	DATE	E.M.N.NO	DRAFT	CHKD	APPD
			Ø	ORIG RELEASE FOR PROD	4/8/70		CV		

Working volt 100 V DC
 Test voltage: 250 V DC
 Operating temperature range: -25 to +85°C
 Insulation resistance: at 20°C, 100 VDC: 50,000 M Ω min.
 Dissipation: less than 0.9%, at 20°C, 1000 Hz.
 Marking: capacity, voltage, tolerance letter K or M



Cat. No.	Capacity pf	Width A Max.	Height B Max.	Thickn. C Max.	Wire Dia. D	Spacing Min. P
PD-1	1000	.196	.472	.118	.016	.079
PD-1.5	1500	.216	.472	.118	.016	.079
PD-2	2000	.216	.472	.118	.016	.079
PD-2.2	2200	.216	.472	.118	.016	.079
PD-3	3000	.216	.472	.118	.016	.079
PD-3.3	3300	.216	.472	.118	.016	.079
PD-4	4000	.216	.472	.118	.016	.079
PD-4.7	4700	.216	.472	.118	.016	.079
PD-5	5000	.216	.472	.118	.016	.079
PD-6.8	6800	.275	.472	.118	.016	.118
PD-8	8000	.275	.472	.118	.016	.118
PD-10	10000	.275	.472	.118	.016	.118
PD-15	15000	.275	.472	.118	.016	.138
PD-20	20000	.295	.472	.137	.016	.138
PD-22	22000	.354	.472	.157	.016	.157
PD-30	30000	.354	.472	.157	.016	.177
PD-33	33000	.354	.531	.157	.016	.197
PD-40	40000	.354	.531	.157	.019	.197
PD-47	47000	.354	.531	.177	.019	.177
PD-50	50000	.354	.531	.177	.019	.177
PD-60	60000	.354	.531	.196	.019	.177
PD-68	68000	.354	.531	.196	.019	.177
PD-80	80000	.433	.531	.236	.019	.196
PD-100	100000	.452	.531	.275	.019	.216
PD-150	150000	.511	.551	.314	.019	.255
PD-200	200000	.629	.629	.314	.027	.334
PD-220	220000	.629	.629	.314	.027	.334

CX119 103 M
 BASIC TMC P/N CAPACITANCE IN pf, SEE CHART, 1ST 2 DIGITS ARE SIGN. FIGS. 3RD DIGIT IND. NO. OF ZEROS TOLERANCE M=20% K=10%

UNLESS OTHERWISE SPECIFIED DIMENSIONS ARE IN INCHES AND INCLUDE CHEMICALLY APPLIED OR PLATED FINISHES		REQ'D	ITEM	PART NUMBER	DESCRIPTION	SYM.
LIST OF MATERIAL						
DECIMALS: .X ± .05, .XX ± .01, .XXX ± .005 FRACTIONS: 1/64, ANGLES: 0°-30° TOLS.		FINAL APPROVAL: <i>[Signature]</i> MECH. DES. DATE: _____ ELECT. DES. DATE: _____ CHECKED: <i>[Signature]</i> DATE: 4-8-70 DRAWN: Deierlein DATE: 12-4-69		THE TECHNICAL MATERIEL CORP. MAMARONECK, NEW YORK FIXED CAPACITOR POLYESTER / EPOXY DIPPED		
NOTICE TO PERSONS RECEIVING THIS DRAWING THE TECHNICAL MATERIEL CORPORATION claims proprietary right in the material disclosed hereon. This drawing is issued in confidence for engineering information only and may not be reproduced or used to manufacture anything shown hereon without permission from THE TECHNICAL MATERIEL CORPORATION to the user. This drawing is loaned for mutual assistance and is subject to recall at any time.		SIZE	CODE IDENT. NO.	DWG NO.	ISSUE	
		A	82679	CX 119	Ø	
		SCALE			SHEET	OF