

STANDARD DRAWING

TMC P/N	MFG P/N	CAP MFD	TOL	WORKING VOLTAGE	A ±.015	B ± 1/32	CIRCUIT	STYLE
CXIII	XHF-27710U-10	0.1	10%	1KVDC & 200VAC UP TO 500KHZ	.670	1 5/8	1	J

REVISIONS					
SYM	DESCRIPTION	DATE	E.M.N. NO.	DRAFT	CHKD APPD
Ø	ORIGINAL RELEASE FOR PRODUCTION	12/16/66	Ø	CV	file

CXIII

SPECIFICATIONS

DIELECTRIC: PAPER, OIL IMPREGNATED
CONSTRUCTION: EXTENDED FOIL
NO OF SECTIONS: 1

WORKING VOLTAGE: SEE CHART

CAPACITANCE: SEE CHART

TEMPERATURE RANGE: -55°C TO 125°C

CAPACITANCE CHANGE: 10% OF ACTUAL CAPACITANCE @ 25°C,
OVER TEMP RANGE

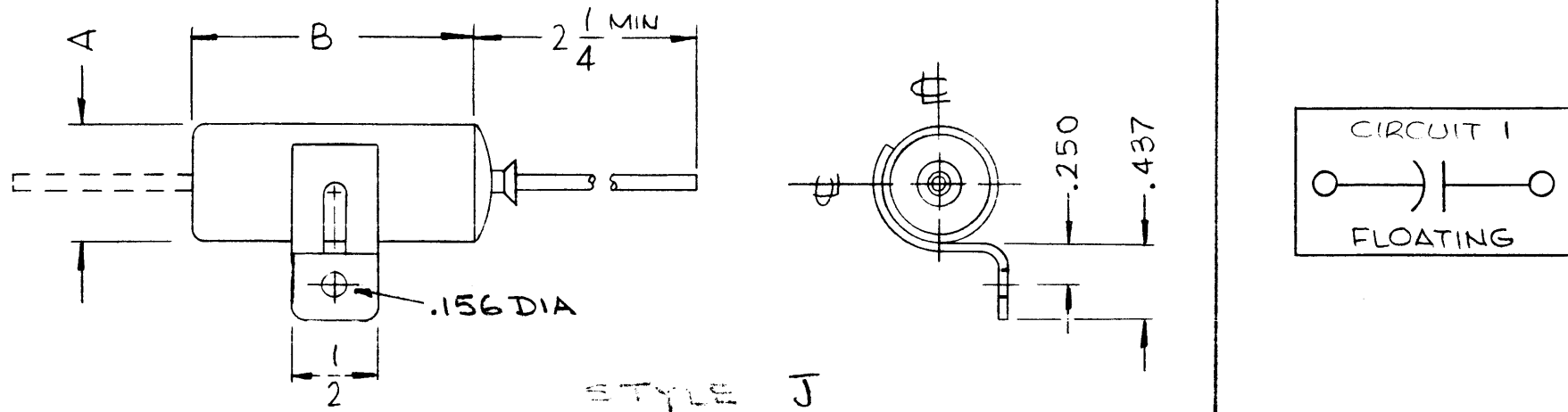
INSULATION RESISTANCE: 10,000 MEGOHM - MFDS OR 18000
MEGOHMSWHICHEVER IS LESS .

POWER FACTOR: 1% MAX @1 kHz, 25°C

CASE TYPE: TUBULAR METAL CASE, HERMETICALLY SEALED

LEAD SIZE:

CASE DIA	AWG SIZE
.187	#24
.235-.312	#22
.400 OR LARGER	#20



STYLE J

NOTES

GPTIOKLF		
Q'TY./UNIT	MODEL USED ON	ASS'Y. NO.
SCALE	CODE C	S401-112

THE CONTENTS OF THIS DRAWING ARE THE EXCLUSIVE PROPERTY OF THE TECHNICAL MATERIEL CORP. ITS UNAUTHORIZED USE OR REPRODUCTION IN WHOLE OR IN PART IS STRICTLY FORBIDDEN.

REQ'D.	ITEM	PART NUMBER	DESCRIPTION	SYMBOL
LIST OF MATERIAL				
MATERIAL		THE TECHNICAL MATERIEL CORP. MAMARONECK, NEW YORK		
FINISH		TITLE CAPACITOR, FIXED PAPER		
UNLESS OTHERWISE SPECIFIED DIMENSIONS ARE IN INCHES AND INCLUDE CHEMICALLY APPLIED OR PLATED FINISHES		DRAWN <i>WJW</i>	DATE 11/15/66	FINAL APPROVAL <i>[Signature]</i>
		CHECKED <i>[Signature]</i>	DATE 11/29/66	DATE 12/1/66
DECIMALS .X ± .05 .XX ± .01 .XXX ± .005		TOLERANCES		FRACTIONS ± 1/64 ANGLES ± 0° 30'
		ELECT. DES. <i>[Signature]</i>	DATE 12/1/66	DATE 12/1/66
THE CONTENTS OF THIS DRAWING ARE THE EXCLUSIVE PROPERTY OF THE TECHNICAL MATERIEL CORP. ITS UNAUTHORIZED USE OR REPRODUCTION IN WHOLE OR IN PART IS STRICTLY FORBIDDEN.		MECH. DES.	DATE	SHEET
		<table style="width: 100%;"> <tr> <td style="width: 50%; text-align: center;">CXIII</td> <td style="width: 50%; text-align: center;">Ø</td> </tr> </table>		
CXIII	Ø			