

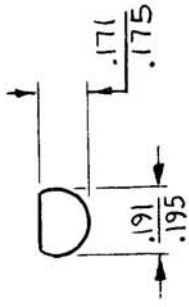
CV115 B

USED ON  
ASSY. NO. DATE  
10-20-64

REG. PER UNIT  
8

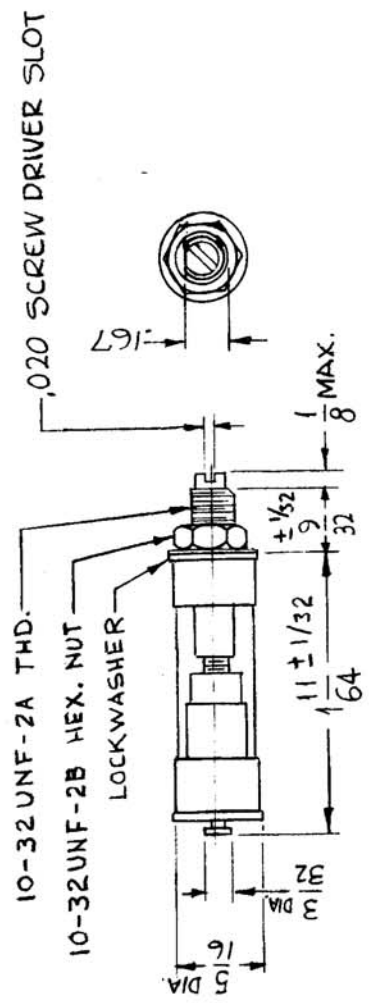
MODEL  
CHG - Z

SPECIFICATIONS:  
 CAPACITANCE RANGE - 1-60 PF  
 Q @ 20mc = 250 MINIMUM  
 DC WORKING VOLTS - 1000  
 OPERATING TEMP - -55°C TO +125°C  
 INSULATION RESISTANCE - 10<sup>6</sup> MEGOHMS  
 AFTER 1 MIN.  
 @ 500 VDC  
 DIELECTRIC STRENGTH - 2000VDC  
 TEMP. COEF - ±50PPM/°C OVER  
 TEMP. RANGE  
 TURNING TORQUE ~ 1 TO 10 IN. OZ.



SUGGESTED MTG HOLE

REF: MIL-C-14405 (PC99J600)



**STANDARD DRAWING**

REQ. ITEM	PART NO.	SYMBOL	DESCRIPTION	LAUNSBY	DESCRIPTION	SYMBOL
B	17324	WU	DIELEC. STRENGTH, TURNING TORQ. & TEMP COEF ADD SPECS			
A	13818	PL	MIL. REF. ADD: 5401-375... ADD: "MCADD 70-100" PICT. DIM. REVISED; SUGG. MTG. HOLE ADD.			
Ø	Ø	SE	ORIGINAL RELEASE FOR PRODUCTION			
X	X	SEG	EXP. RELEASE			
SYM	DATE	CH. NO.	DRAFTS	CHECKER	ENG. APP.	
UNLESS OTHERWISE SPECIFIED DIMENSIONS ARE IN INCHES AND INCLUDE CHEMICALLY APPLIED OR PLATED FINISHES			SCALE			
DECIMALS	TOLERANCES		FRACTIONS			
.X ± .05	± 1/64		± 1/64			
.XX ± .01	± 0° 30'		± 0° 30'			
.XXX ± .005						
CODE			5401-120/MC0001			
C			5401-375/TM001			
FINISH & SPEC. NO.			FINISH APPROVAL			
TYPE & TEMPER			HEAT TREAT. SPEC.		DRAWN	
MATERIAL			CHECKED		@ 10-26-64	
MATERIAL			DRAWN		RAC	
MATERIAL			CHECKED		CV115	
MATERIAL			CHECKED		B	