



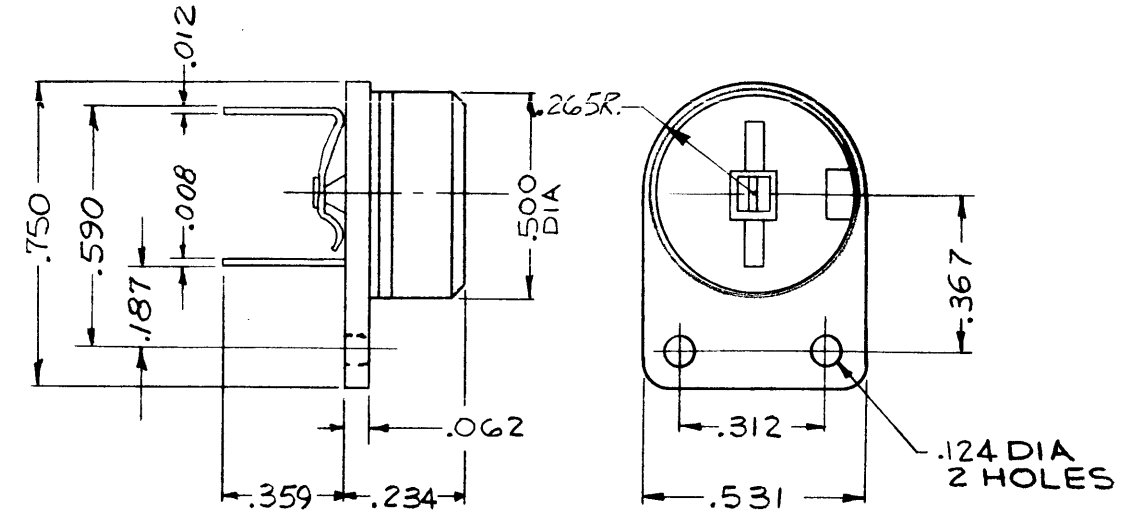
TMC NO.	TEMP. COEF.	CAPAC. ufds		MIN. Q AT IMC	STYLE (SEE) (PICT)
		MIN.	MAX.		
CV-109-1	NPO	1.5	7	500	A
CV-109-2	NPO	3	12	500	A
CV-109-3	NPO	5	25	500	A
CV-109-4	N330	5	20	500	A
CV-109-5	N750	5	30	500	A
CV-109-6	N750	8	50	500	A
CV-109-7	N1500	10	75	400	A
CV-109-8	N1500	10	75	400	B
CV-109-9	N750	8	50	500	B

WORKING VOLTAGE: 350 VDC  
 OPERATING TEMPERATURE RANGE: -55°C. to +85°C.  
 LIFE TEST: 700 VDC at 85°C for 250 HOURS.  
 FLASH TEST: 875 VDC for 1-5 SECONDS (50 ma MAX. CHARGING CURRENT)  
 TORQUE: MINIMUM OF 2 & MAXIMUM OF 8 INCH OUNCES.

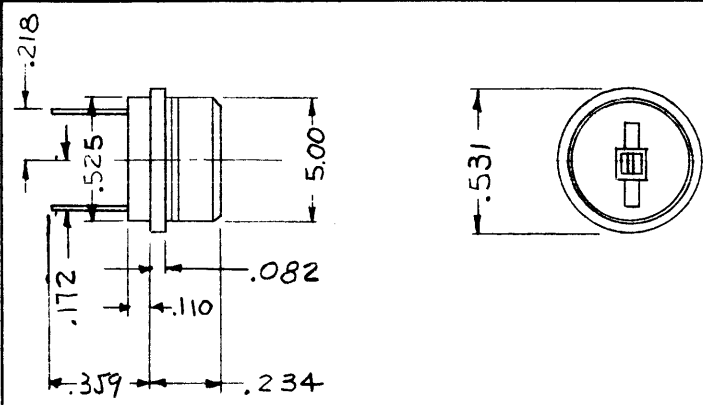
WHEN ORDERING, SPECIFY: Style, Temp. Coef. & Capacitance Range. Example: 557-000, N750-8-50 pf

CV-109 C

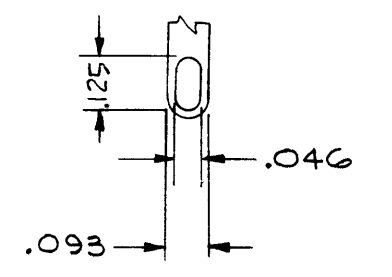
REVISIONS					
SYM	DESCRIPTION	DATE	E.M.N. NO.	DRAFT	CHKD APPD
B	REPLACES REVA ON SIZE (1) W/CHGS.	12/18/63	10609	JTB	JTB [Signature]
C	CV109-9 ADDED	7.30.64	11997	JTB	JTB [Signature]



STYLE "A"  
MFG STYLE 557-000



STYLE "B"  
MFG STYLE 557-091



TYP. TERMINAL DETAIL

REQ'D.	ITEM	PART NUMBER	DESCRIPTION	SYMBOL
--------	------	-------------	-------------	--------

LIST OF MATERIAL

MATERIAL	THE TECHNICAL MATERIEL CORP. MAMARONECK, NEW YORK		
FINISH	TITLE CAPACITOR, VARIABLE		

1	HFR -1/N	
Q'TY./UNIT	MODEL USED ON	ASS'Y. NO.
SCALE	CODE	S401-203

UNLESS OTHERWISE SPECIFIED DIMENSIONS ARE IN INCHES AND INCLUDE CHEMICALLY APPLIED OR PLATED FINISHES		DRAWN <i>R. Davis</i>	DATE 12-18-63	FINAL APPROVAL <i>R. D. C.</i>	DATE
DECIMALS .X ± .05 .XX ± .01 .XXX ± .005	TOLERANCES	CHECKED <i>at</i>	DATE 12-20-63	CV-109	C
		ELECT. DES.	DATE		
		MECH. DES.	DATE		

NOTES

THE CONTENTS OF THIS DRAWING ARE THE EXCLUSIVE PROPERTY OF THE TECHNICAL MATERIEL CORP. ITS UNAUTHORIZED USE OR REPRODUCTION IN WHOLE OR IN PART IS STRICTLY FORBIDDEN.